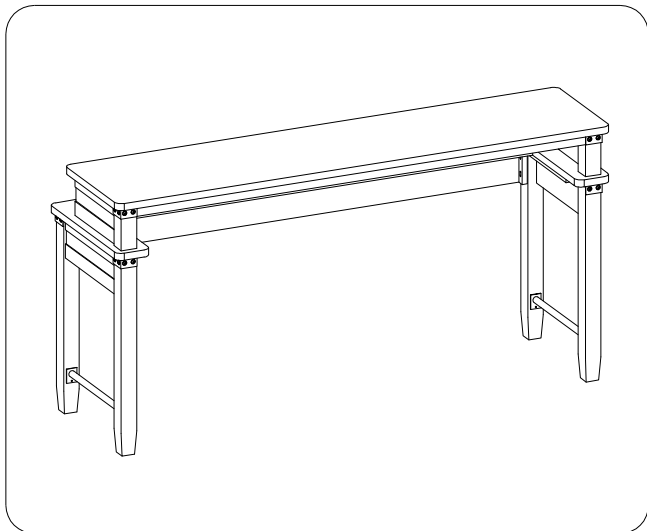




ITEM NO: I349-9150-WST Console Bar Table

Thank you for purchasing this quality product. Be sure to check all packing material carefully for small parts that may come loose inside the carton during shipment.



Double Powered USB Port
for Charging

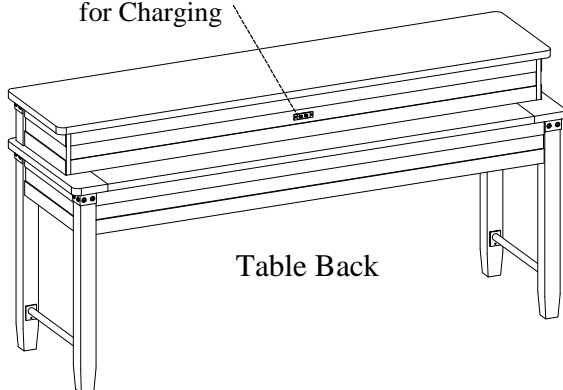
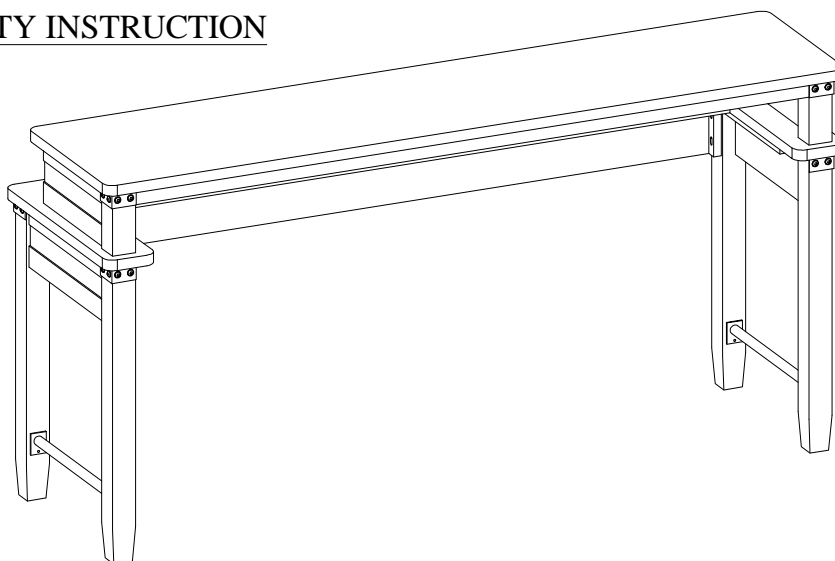


Table Back

FUNCTIONALITY INSTRUCTION



TOOLS REQUIRED (NOT PROVIDED)

PHILLIPS SCREWDRIVER

HARDWARE LIST:

No.	Description	Sketch	Quantity
A	Bolt Ø1/4" x 1-3/4" (20)		13 PCS
B	Lock Washer Ø1/4"		13 PCS
C	Flat Washer Ø1/4" x 3/4"		13 PCS
D	Allen Wrench 4mm		1 PC

COMPONENTS LIST:

No.	Description	Sketch	Quantity
1	Top Assembly		1 PC
2	Left Assembly		1 PC
3	Right Assembly		1 PC
	Back Stretcher		1 PC

BEFORE USING THIS PRODUCT PLEASE READ, UNDERSTAND, AND FOLLOW THESE INSTRUCTIONS.

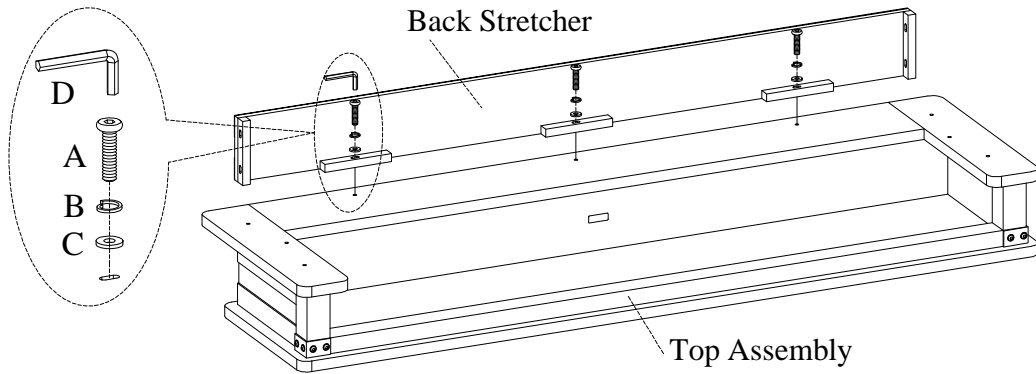
Save these instructions for future reference.

FOR INDOOR USE ONLY

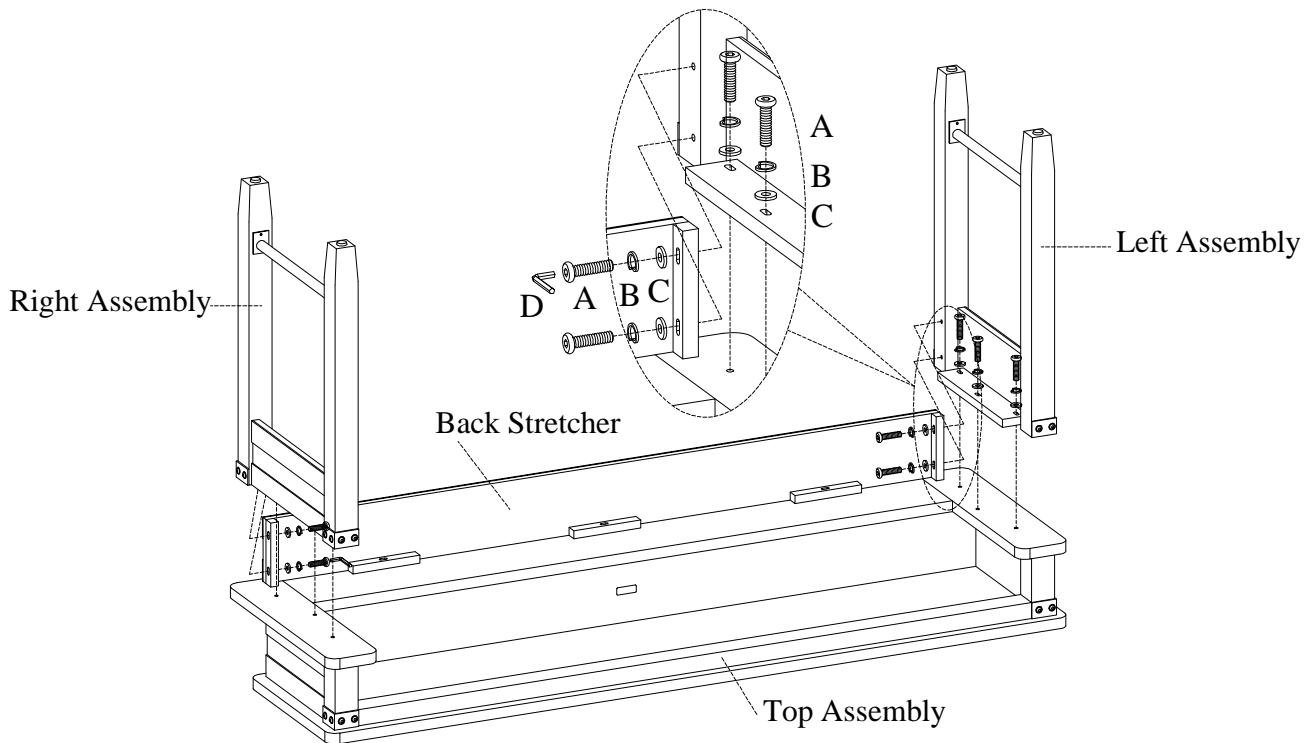


ITEM NO: I349-9150-WST Console Bar Table

STEP 1: Put the top assembly face down on a soft surface. Attach the back stretcher to top assembly by using 3 bolts(A), lock washers(B), flat washers(C). Do not completely tighten bolts.



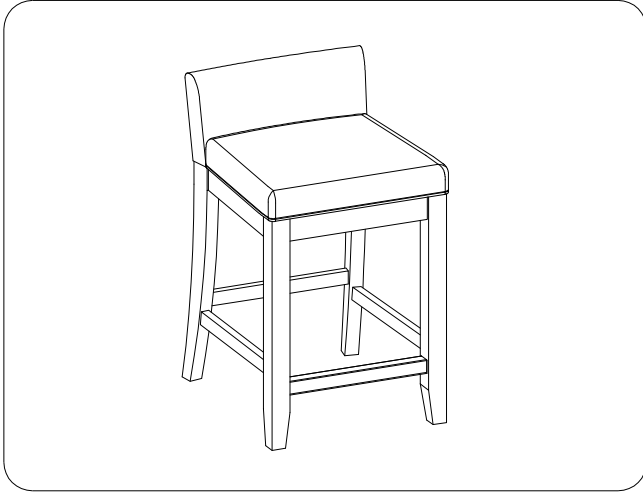
STEP 2: Attach the left assembly and right assembly to the top assembly and back stretcher by using 10 bolts(A), lock washers(B), flat washers(C). Use the Allen wrench provided to tighten all the bolts. Turn the assembled table to the upright position.





ITEM NO: I349-9201-WST Stool w/ Uph Seat









Thank you for purchasing this quality product. Be sure to check all packing material carefully for small parts that may come loose inside the carton during shipment.










TOOLS REQUIRED (NOT PROVIDED)

PHILLIPS SCREWDRIVER 

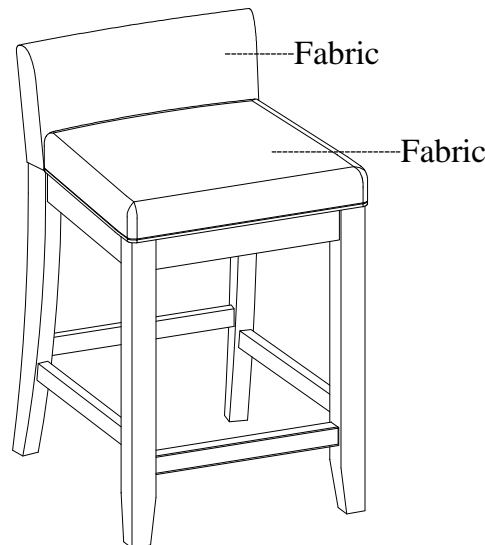
HARDWARE LIST:

No.	Description	Sketch	Quantity
A	Hex Nut Ø5/16"		4 PCS
B	Bolt Ø5/16" x 3"		4 PCS
C	Bolt Ø5/16" x 1-1/2"		3 PC
D	Lock Washer Ø5/16"		11 PCS
E	Flat Washer Ø5/16" x 3/4"		11 PCS
F	Allen Wrench 4mm		1 PC
G	Hex Wrench 12mm		1 PC
H	Wood Screw #4 x 1-1/2"		6 PCS

COMPONENTS LIST:

No.	Description	Sketch	Quantity
1	Chair Back		1 PC
2	Chair Seat		1 PC
3	Left Front Leg		1 PC
4	Right Front Leg		1 PC
5	Front Stretcher		1 PC
6	Left Side Stretcher		1 PC
7	Right Side Stretcher		1 PC

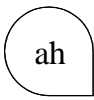
FUNCTIONALITY INSTRUCTION



BEFORE USING THIS PRODUCT PLEASE READ, UNDERSTAND, AND FOLLOW THESE INSTRUCTIONS.

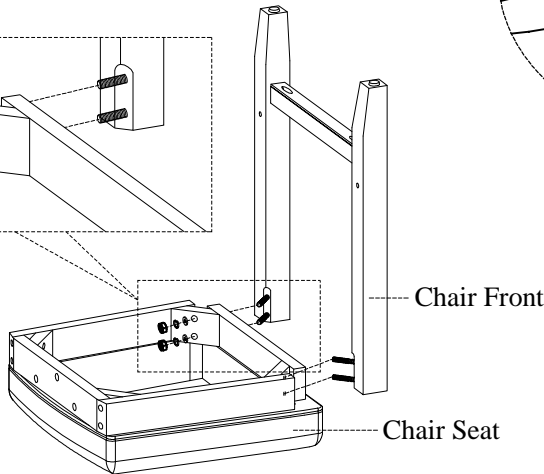
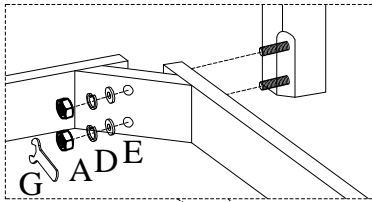
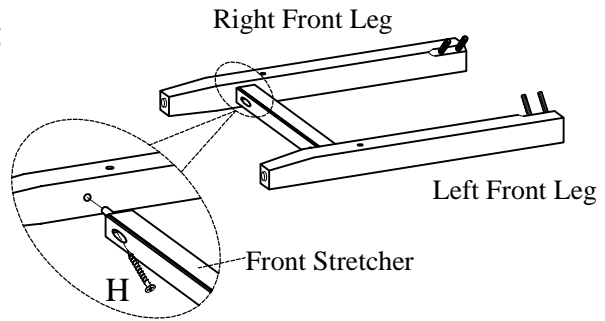
Save these instructions for future reference.

FOR INDOOR USE ONLY



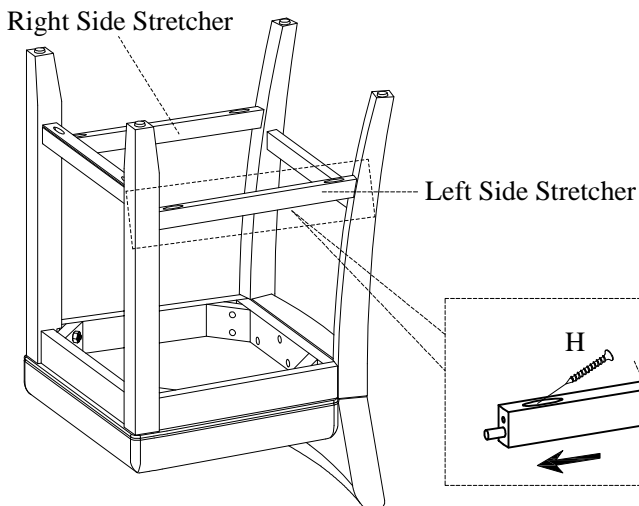
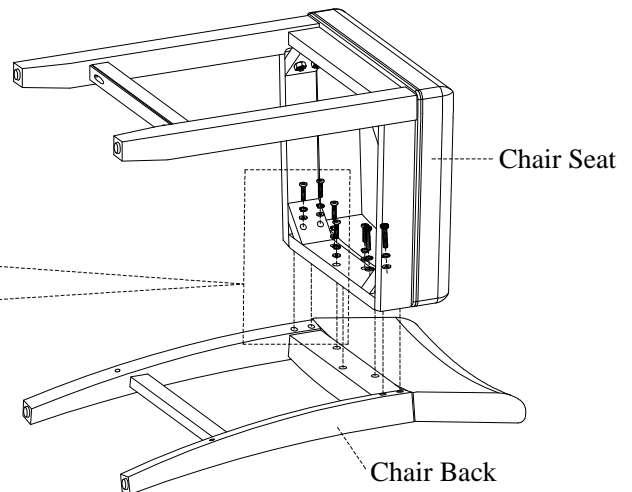
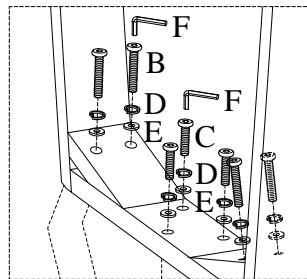
ITEM NO: I349-9201-WST Stool w/ Uph Seat

STEP 1: Assemble the right front leg and the left front leg with front stretcher by screws(H). Making sure the drill holes on each front leg and the chamfers on all legs are aligned as shown right.



STEP 2: Attach the assembled chair front to chair seat by using 4 flat washers(E), lock washers(D), and hex nuts(A) with a hex wrench(G), Do not tighten bolts until STEP 4.

STEP 3: Attach the chair seat to chair back by using 4 bolts(B), 3 bolt(C), 7 lock washers(D), 7 flat washers(E) with an allen wrench(F), Do not completely tighten bolts.



STEP 4: Attach the left side stretcher and right side stretcher to the front legs and chair back with wood screws(H). Completely tighten all wood screws and bolts. Turn the assembled chair to the upright position.

