

# ASSEMBLY INSTRUCTIONS



## aspenshome®

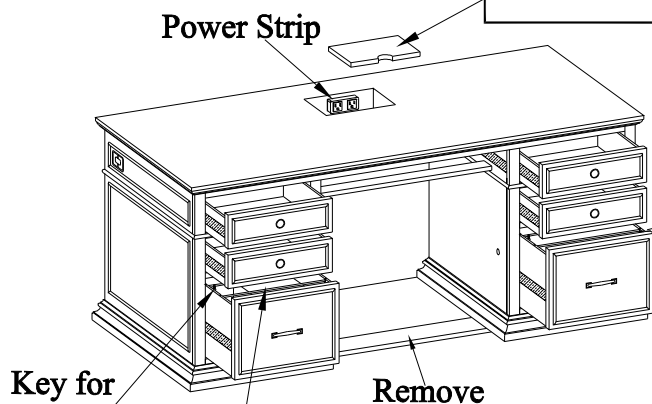
Distributed by Furniture Values International, LLC



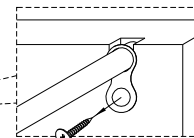
ITEM NO: I35-303 66" Executive Desk w/Power

| HARDWARE PACK |                          | COMPONENTS LIST |            |
|---------------|--------------------------|-----------------|------------|
| A             | Bolt (Ø1/4"*2-1/2")      | 16 Pcs          | Legs 8 Pcs |
| B             | Lock Washer (Ø1/4")      | 16 Pcs          |            |
| C             | Flat Washer (Ø1/4"*3/4") | 16 Pcs          |            |
| D             | Allen Wrench (4mm)       | 1 Pc            |            |

Take the cover plate off when needed.



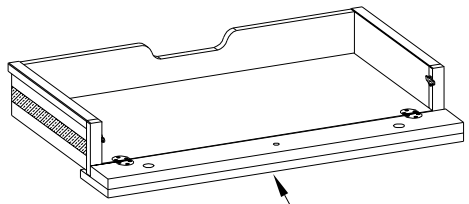
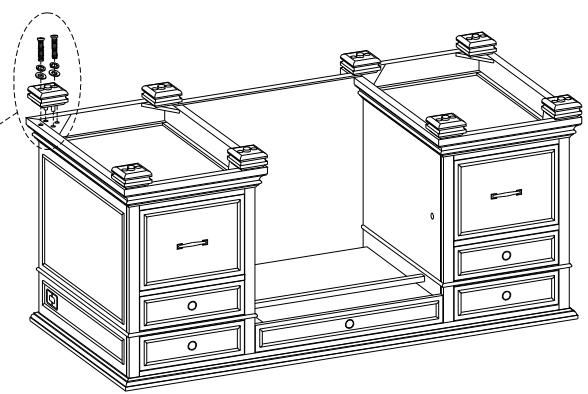
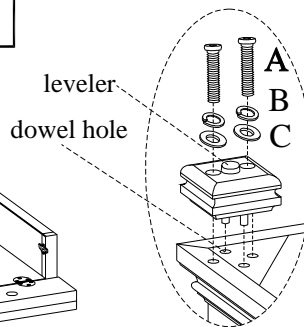
Detail 2



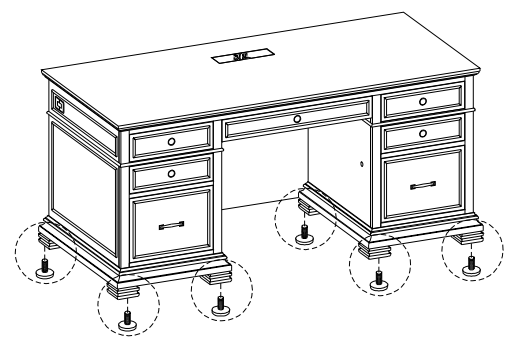
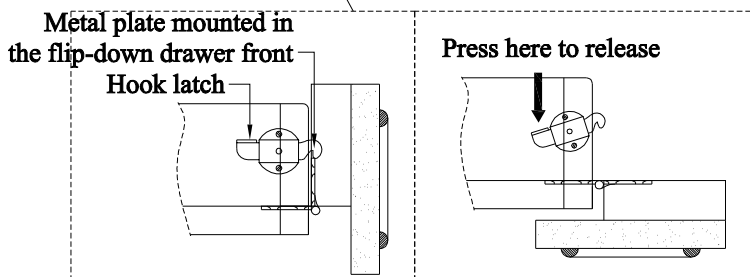
Remove the wood screws on the side panels of drawer box to remove the rod loops and file rods if necessary.

Hardware pack.  
Legs

Detail 1



Detail 3



Adjust the leveler when necessary

**ASSEMBLY STEP:**

1. Put the desk upside down on a soft, clean surface.
2. Attach legs to the bottom of desk using bolts A, lock washer B and flat washer C. See detail 1.
3. Turn the desk to the upright position.