

# ASSEMBLY INSTRUCTIONS



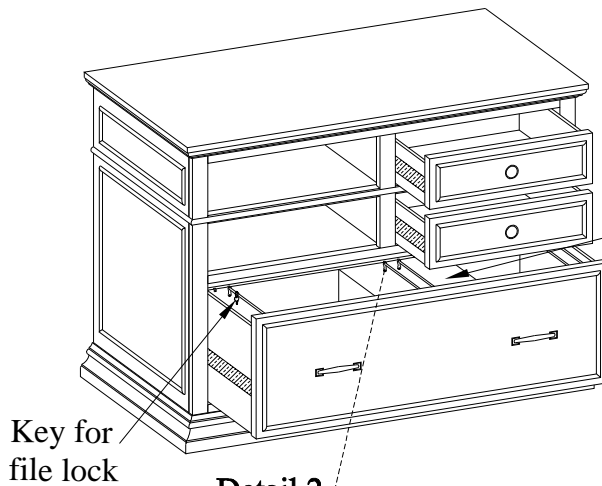
## aspenhome®

Distributed by Furniture Values International, LLC



ITEM NO: I35-378 Combo File

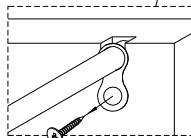
HARDWARE PACK		COMPONENTS LIST		
A	Bolt (Ø1/4"*2-1/2")	8 Pcs	Desk	1 Pc
B	Lock Washer (Ø1/4")	8 Pcs	Legs	4 Pcs
C	Flat Washer (Ø1/4"*3/4")	8 Pcs		
D	Allen Wrench (4mm)	1 Pc		



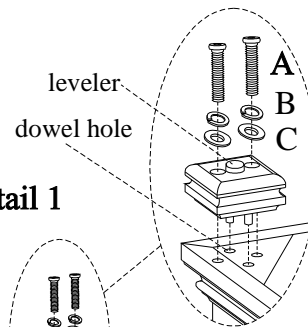
Hardware pack.  
Legs

Key for  
file lock

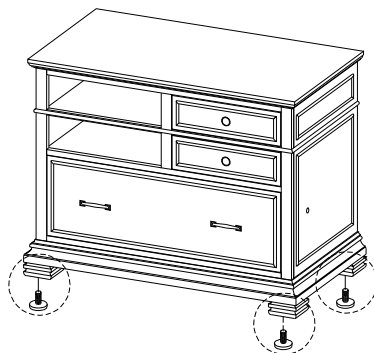
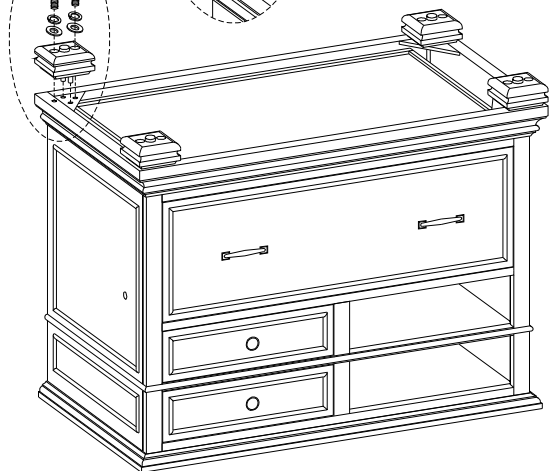
Detail 2



Remove the wood screws on the back panels of drawer box to remove the rod loops and file rods if necessary.



Detail 1



Adjust the leveler  
when necessary

### ASSEMBLY STEP:

1. Put the desk upside down on a soft, clean surface.
2. Attach legs to the bottom of desk using bolts A, lock washer B and flat washer C. See detail 1.
3. Turn the desk to the upright position.



## aspenhome®

Distributed by Furniture Values International, LLC

### Instruction for the File Drawer with Heavy Duty Ball Bearing Slides

To remove the drawer, please remove the set screws on two sides of the drawers. Push the tab in toward the drawer and lift up the drawer to move out.

To install the drawer, please extend the slides all the way out. Set the drawer box into cabinet rail and slide back so the drawer rail goes under the hook in cabinet rail. Then snap the tab into drawer rail.

