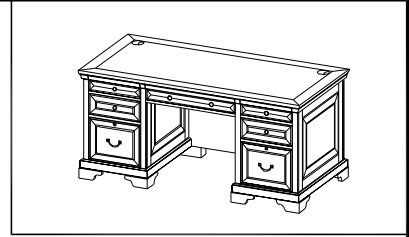


ASSEMBLY INSTRUCTIONS




aspenhome®

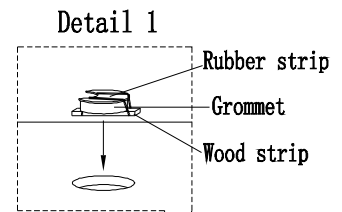
Distributed by Furniture Values International, LLC



ITEM NO: I40-303 66" Executive Desk

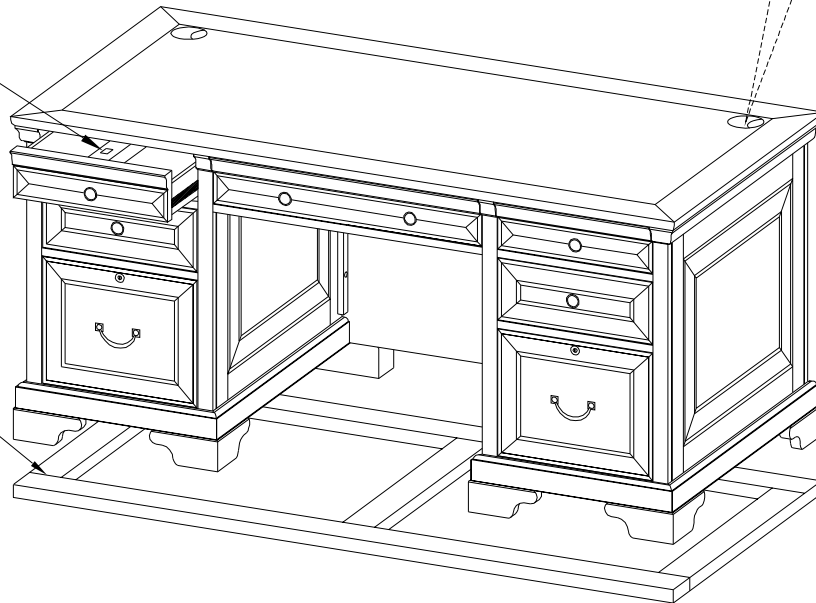
HARDWARE PACK		COMPONENT LIST	
 Allen Wrench	1 Pc	Key	4 Pcs

Cut the rubber strip and remove the wood strip under the grommet.



Hardware pack.
Do not trash.

Take this skid
off and discard.



ASSEMBLY INSTRUCTIONS

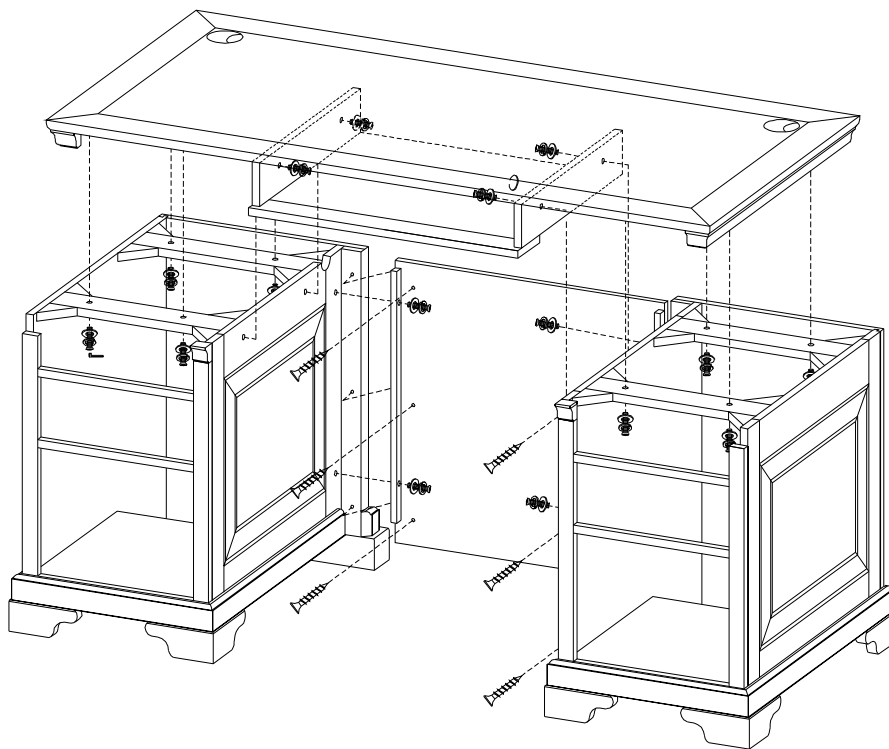
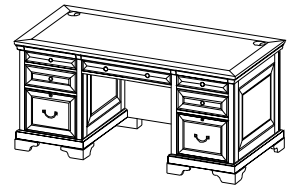
Page 2/3

ah

aspenhome®

Distributed by Furniture Values International, LLC

ITEM NO:I40-303 66" Executive Desk



To dis-assemble desk (If necessary):

1. Remove all the drawers, and turn the desk face down on a soft and clean area.
2. Remove the bolts (2pcs each side) from the vertical panel to the pedestals.
3. Remove the screws (3pcs each side) from the vertical panel to the pedestals.
4. Remove the bolts (4pcs each side) from the wood rail to the top panel.
5. Remove the bolts (2pcs each side) from the support panel to the pedestals.

MADE IN VIETNAM

2012-06-14

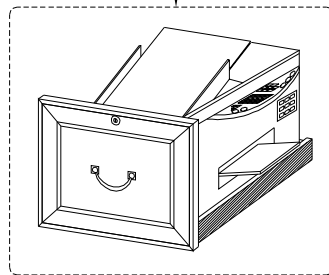
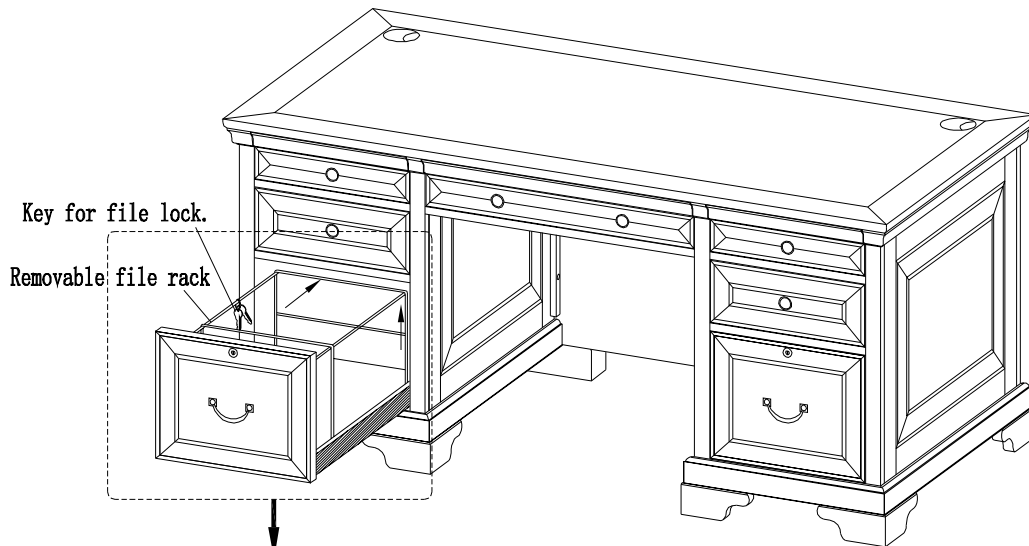
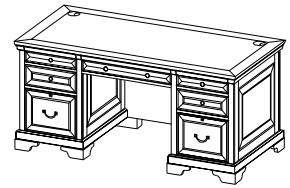
ASSEMBLY INSTRUCTIONS

ah

aspenhome®

Distributed by Furniture Values International, LLC

ITEM NO: I40-303 66" Executive Desk



Raise the file rack and pull back to remove the file rack when you prefer to place a printer in this drawer.

