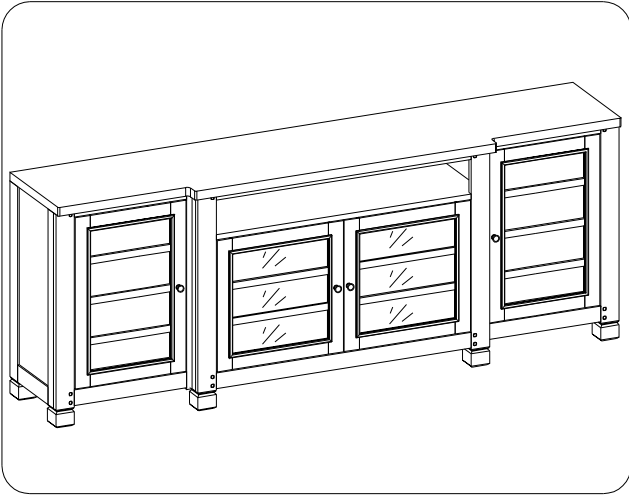




ITEM NO: I45-284-BAR/STN 84" Console

Thank you for purchasing this quality product. Be sure to check all packing material carefully for small parts that may come loose inside the carton during shipment.



TOOLS REQUIRED (NOT PROVIDED)

PHILLIPS SCREWDRIVER

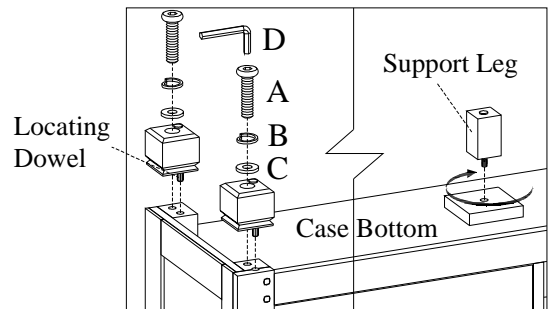
COMPONENTS LIST:

No.	Description	Sketch	Quantity
1	Leg		6 PCS
2	Support Leg		2 PCS

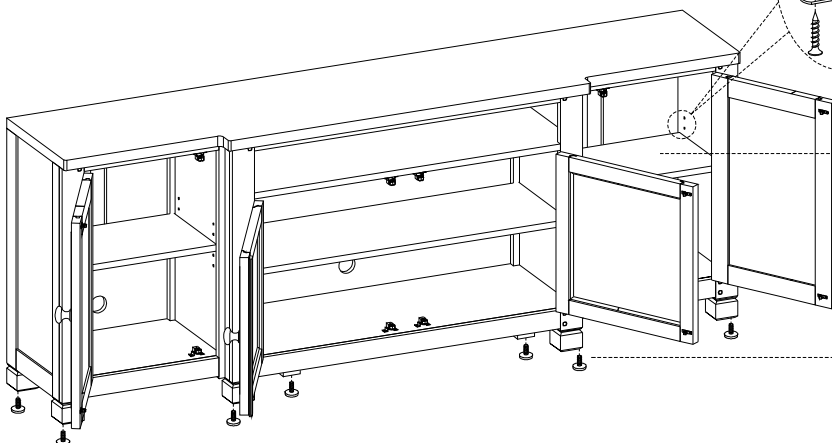
HARDWARE LIST:

No.	Description	Sketch	Quantity
A	Bolt Ø5/16" *2-3/4"		6 PCS
B	Lock Washer Ø5/16"		6 PCS
C	Flat Washer Ø5/16" *3/4"		6 PCS
D	Allen Wrench 4mm		1 PC

STEP 1: Put the case top face down on a soft surface, Attach the legs and support legs to the bottom of case by using 6 bolts(A), lock washers(B) and flat washers(C). Turn the case to the upright position.



FUNCTIONALITY INSTRUCTION



If you prefer to adjust the shelf location, remove the screws and move shelf brackets to the desired location. Then secure the brackets to shelf with screws.

Adjustable wood shelves

Adjust the leveler when necessary

Leveler on Legs & Support Legs

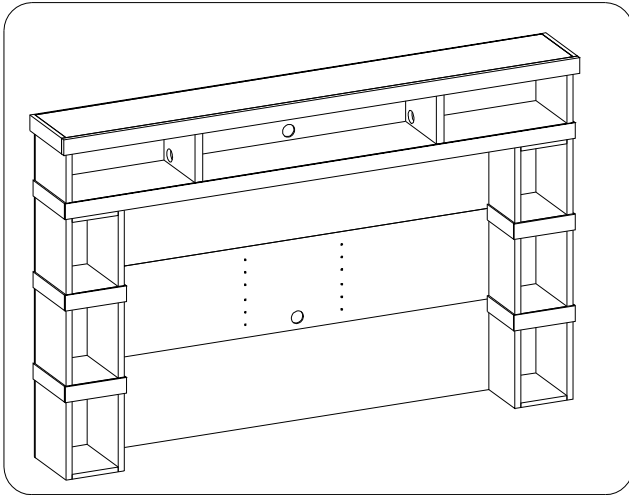
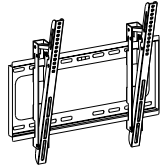
BEFORE USING THIS PRODUCT PLEASE READ, UNDERSTAND, AND FOLLOW THESE INSTRUCTIONS. Save these instructions for future reference.

FOR INDOOR USE ONLY



ITEM NO: I45-284H-BAR/STN 84" Hutch

Thank you for purchasing this quality product. Be sure to check all packing material carefully for small parts that may come loose inside the carton during shipment.

TV Mount
 Assembly instructions for the TV mount are in the TV mount package. Follow these instructions when attaching TV mount and TV to the TV frame.

TOOLS REQUIRED (NOT PROVIDED)
PHILLIPS SCREWDRIVER

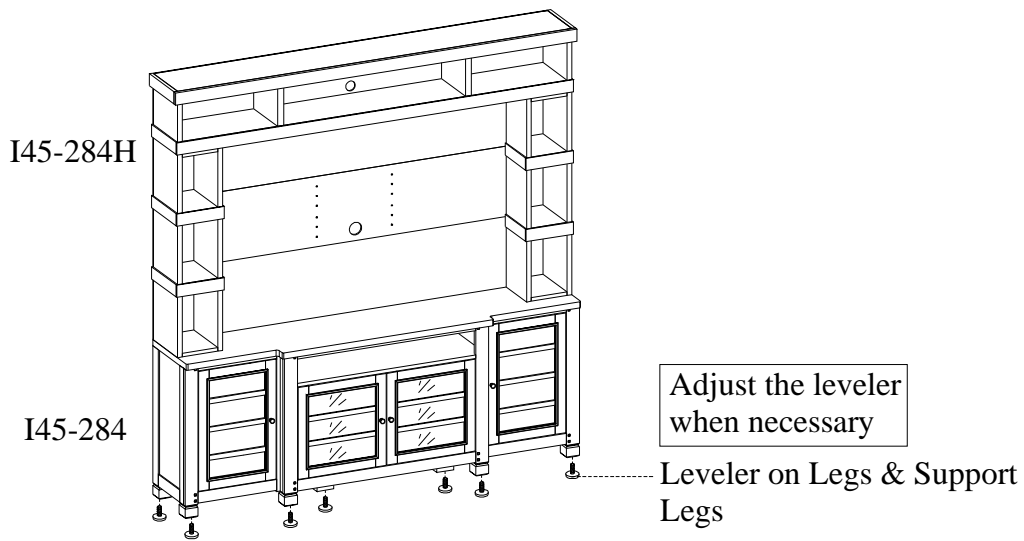
HARDWARE LIST:

No.	Description	Sketch	Quantity
A	Bolt Ø1/4"*1-3/4"		26 PCS
B	Lock Washer Ø1/4"		26 PCS
C	Flat Washer Ø1/4" *3/4"		26 PCS
D	Allen Wrench 4mm		1 PC
E	Wood Screw		4 PCS

COMPONENTS LIST:

No.	Description	Sketch	Quantity
1	Top assembly		1 PC
2	Left side assembly		1 PC
3	Right side assembly		1 PC
4	Top/Bottom Back Panel		2 PC
5	Middle back panel		1 PC
6	TV Mount		1 Set

FUNCTIONALITY INSTRUCTION



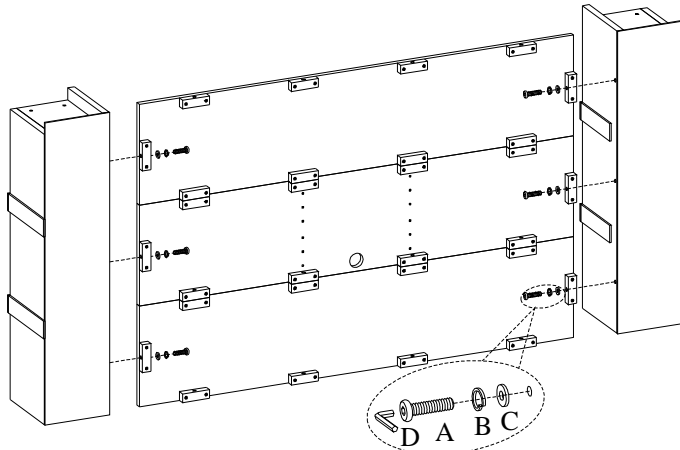
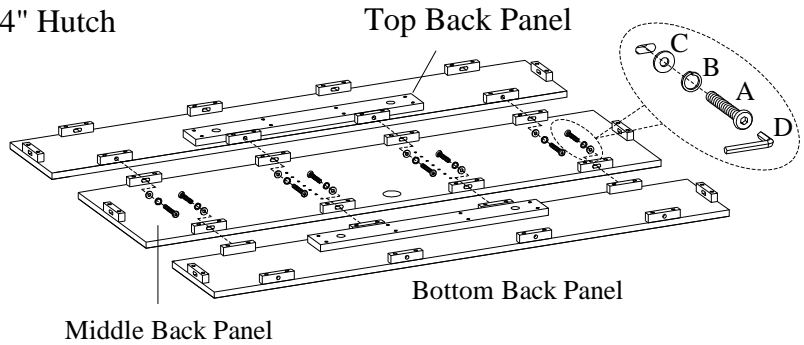
BEFORE USING THIS PRODUCT PLEASE READ, UNDERSTAND, AND FOLLOW THESE INSTRUCTIONS. Save these instructions for future reference.

FOR INDOOR USE ONLY



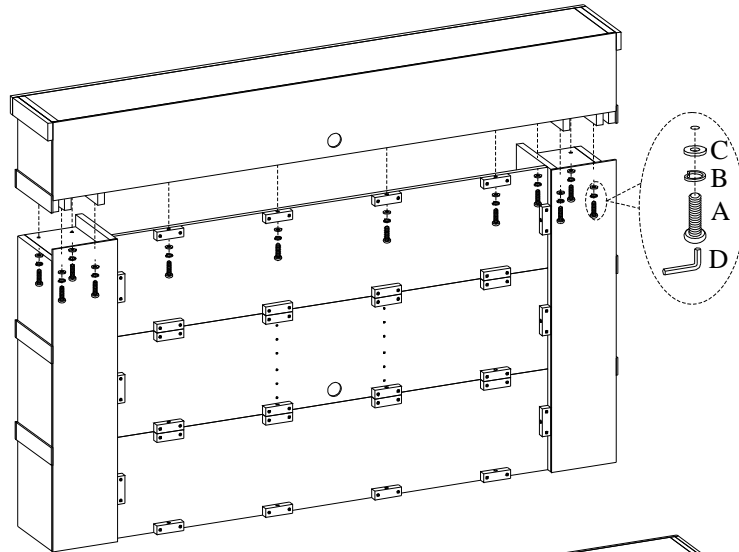
ITEM NO: I45-284H-BAR/STN 84" Hutch

STEP 1: Attach the top back panel and bottom back panel to the middle back panel by using 8 bolts (A), lock washers (B) and flat washers (C).



STEP 2: Attach the back assembly to the left side assembly and right side assembly by using 6 bolts (A), lock washers (B) and flat washers (C). Do not tighten the bolts completely.

STEP 3: Attach the top assembly to the left side assembly, right side assembly and back assembly by using 12 bolts (A), lock washers (B) and flat washers (C). Completely tighten all bolts.



STEP 4: Put the hutch on the console. Take off one screw from each large metal plate on the back of hutch and swing it in an ideal location as shown to the right. Then re-secure the large metal plate with screw (E) to hutch and console.

