

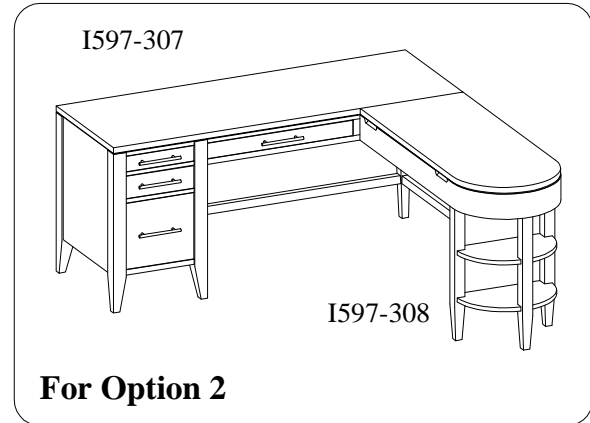
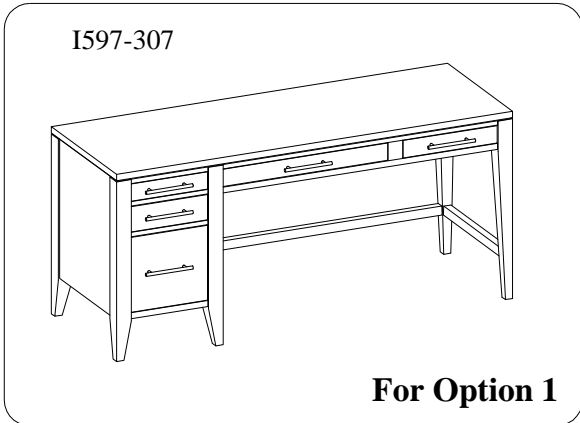
ITEM NO: I597-307
I597-308


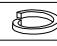
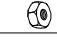


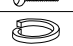




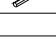

Single Ped Desk
Return Desk



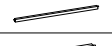

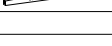
Thank you for purchasing this quality product. Be sure to check all packing material carefully for small parts that may come loose inside the carton during shipment.

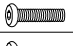
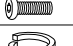




TOOLS REQUIRED (NOT PROVIDED)



PHILLIPS SCREWDRIVER 



HARDWARE LIST: I597-307			
No.	Description	Sketch	Quantity
A	Flat Washer Ø5/16" x 5/8"		4 PCS
B	Lock Washer Ø5/16"		4 PCS
C	Hex Nut Ø5/16"		4 PCS
D	Hex Wrench 12mm		1 PC
E	Bolt Ø5/16" x 1-1/2"		4 PCS
F	Bolt Ø5/16" x 1-1/4"		5 PCS
G	Lock Washer Ø5/16"		9 PCS
H	Flat Washer Ø5/16" x 3/4"		9 PCS
I	Bolt Ø1/4" x 1-3/4"		4 PCS
J	Lock Washer Ø1/4"		4 PCS
K	Flat Washer Ø1/4" x 3/4"		4 PCS
L	Allen Wrench 4mm		1 PC

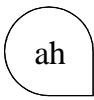
COMPONENTS LIST: I597-307			
No.	Description	Sketch	Quantity
1	Desk Top		1 PC
2	Pedestal		1 PC
3	Back Stretcher		1 PC
4	Side Stretcher		1 PC
5	Front Leg		1 PC
6	Back Leg		1 PC

HARDWARE LIST: I597-308			
No.	Description	Sketch	Quantity
M	Bolt Ø1/4" x 1-3/8"		3 PCS
N	Bolt Ø1/4" x 3/4"		6 PCS
O	Lock Washer Ø1/4"		9 PCS
P	Flat Washer Ø1/4" x 3/4"		9 PCS
Q	Allen Wrench 4mm		1 PC
R	Metal Plate 358x109x3mm		1 PC

COMPONENTS LIST: I597-308			
No.	Description	Sketch	Quantity
1	Return Desk Top		1 PC
2	Pedestal		1 PC

BEFORE USING THIS PRODUCT PLEASE READ, UNDERSTAND, AND FOLLOW THESE INSTRUCTIONS. Save these instructions for future reference.

FOR INDOOR USE ONLY

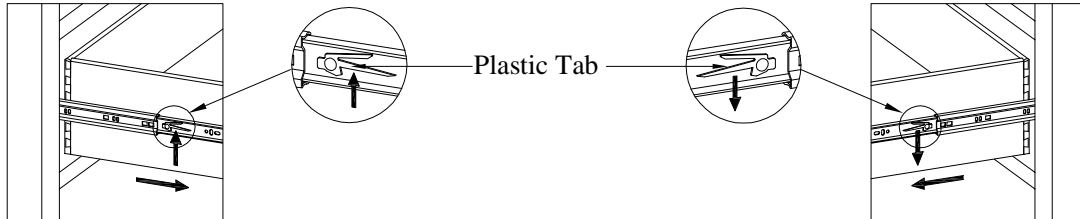


ITEM NO: I597-307
I597-308

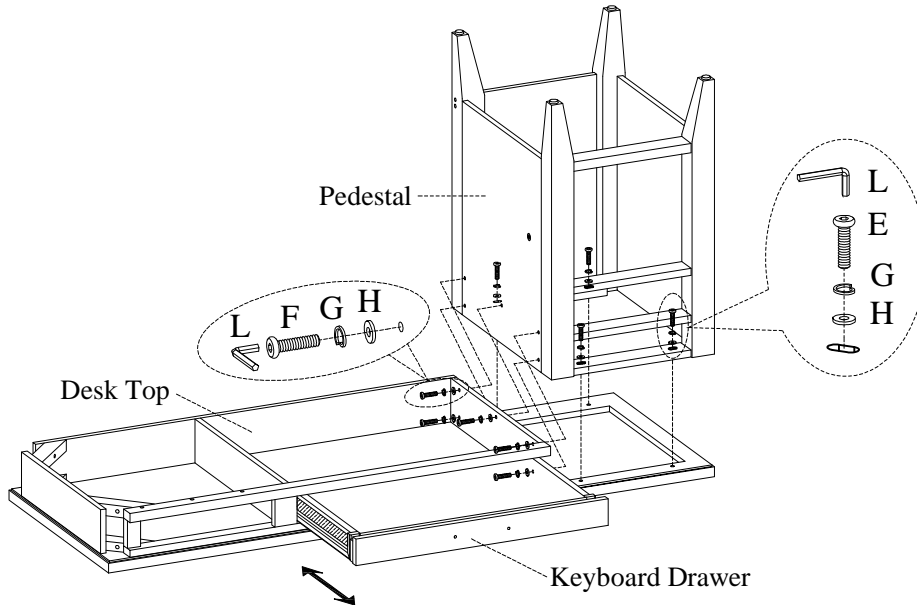
Single Ped Desk
Return Desk

For option 1

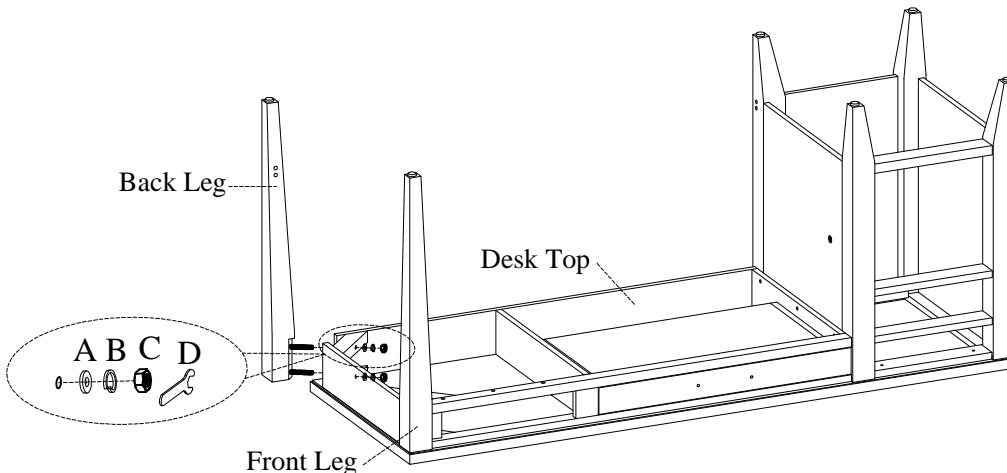
STEP 1: Remove the drawers from the pedestal: Fully extend the drawer, then press the plastic tab down on the right and up on the left at the same time as shown below. While holding the tabs pressed down/up, pull the drawer out.



STEP 2: Put the desk top face down on a soft surface. Take out the keyboard drawer, attach the pedestal on the desk top by using 4 bolts(E), 5 bolts(F), 9 lock washers(G) and 9 flat washers(H) as shown below. Then use an allen wrench(L) to tighten all the bolts. Put the keyboard drawer back to the original position.



STEP 3: Attach the front leg and back leg to the table top by using 4 flat washers(A), lock washers(B) and hex nuts(C) with hex wrench(D) as shown below. Do not completely tighten bolts.

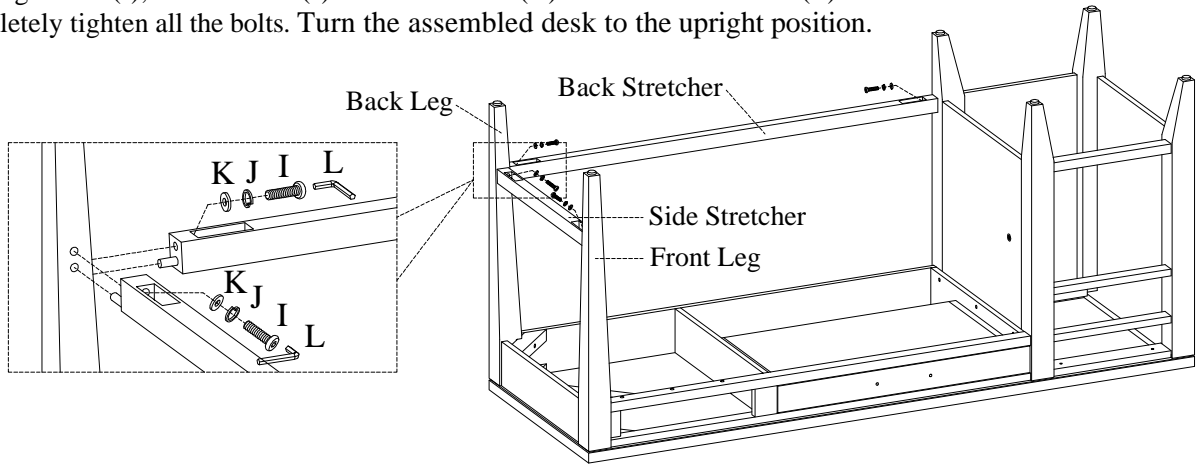




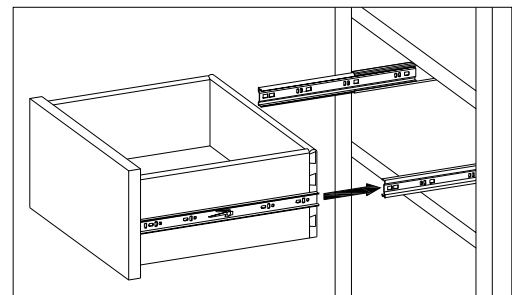
ITEM NO: I597-307
I597-308

Single Ped Desk
Return Desk

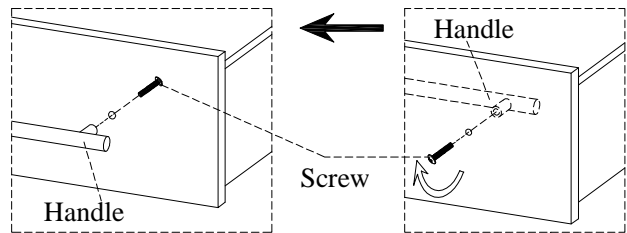
STEP 4: Attach the back stretcher and side stretcher to the pedestal and front/back legs by using 4 bolts(I), lock washers(J) and flat washers(K) with an allen washers(L). Completely tighten all the bolts. Turn the assembled desk to the upright position.



STEP 5: Replace all of the drawers in desk: Fully extend the slides from the case. Then align the slides on the drawer to the slides on the desk as shown. Push the drawer back in. You may have to slide the drawer in and out several times in order to properly align the ball bearings.

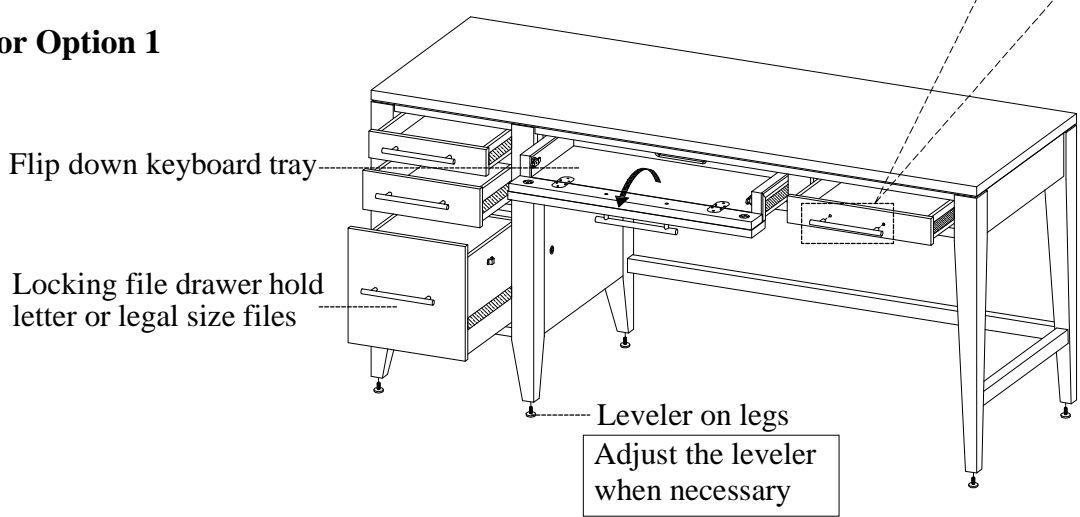


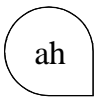
STEP 6: Reverse each handle by removing the screws while each drawer is open and attach all handles to the front of the drawers with screws as shown.



FUNCTIONALITY INSTRUCTION

For Option 1





ITEM NO: I597-307
I597-308

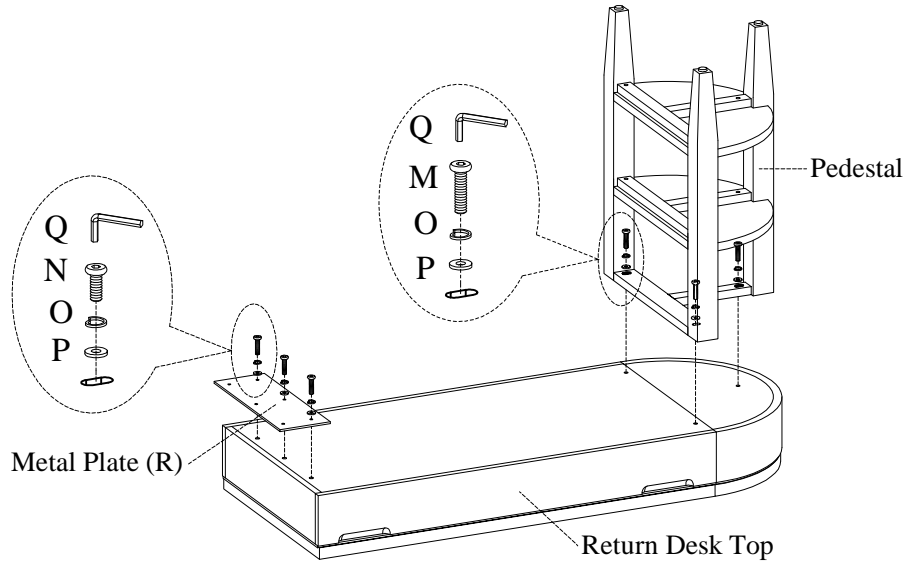
Single Ped Desk
Return Desk

For option 2

STEP 1: Put the return desk top face down on a soft surface.

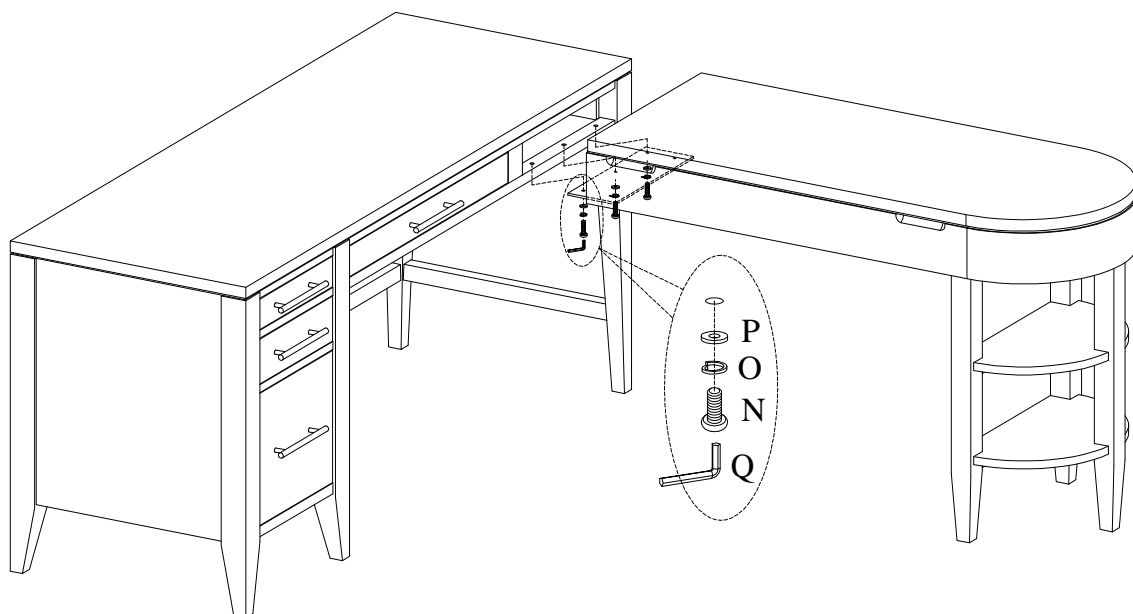
STEP 2-1: Attach the pedestal on the table top by using 3 bolts(M), lock washers(O) and flat washers(P) as shown below. Then use an allen wrench to tighten all the bolts.

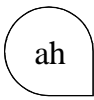
STEP 2-2: Attach the metal plate(R) on the return table top by using 3 bolts(N), lock washers(O) and flat washers(P) as shown below. Do not completely tighten bolts.



STEP 3: Remove the top right drawer on the single pedestal desk the same way using STEP 1 on page 2.

STEP 4: Attach the assembled return desk to the ped desk by using 3 bolts(N), lock washers(O) and flat washers(P). Completely tighten all bolts.



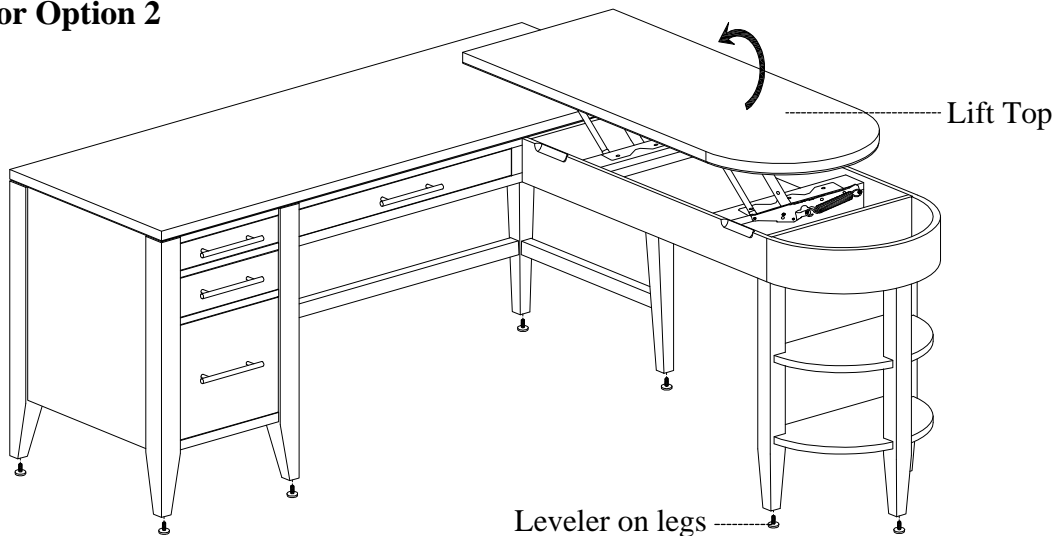


ITEM NO: I597-307
I597-308

Single Ped Desk
Return Desk

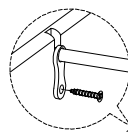
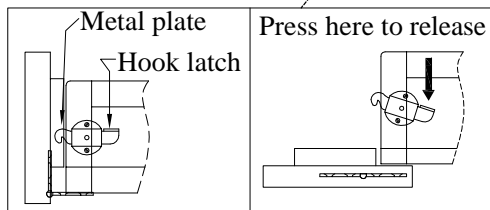
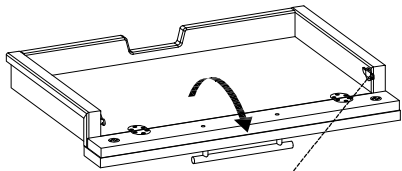
FUNCTIONALITY INSTRUCTION

For Option 2

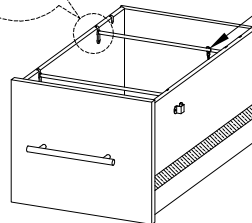


Leveler on legs

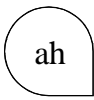
Adjust the leveler
when necessary



Keys for file lock.
Do not trash.

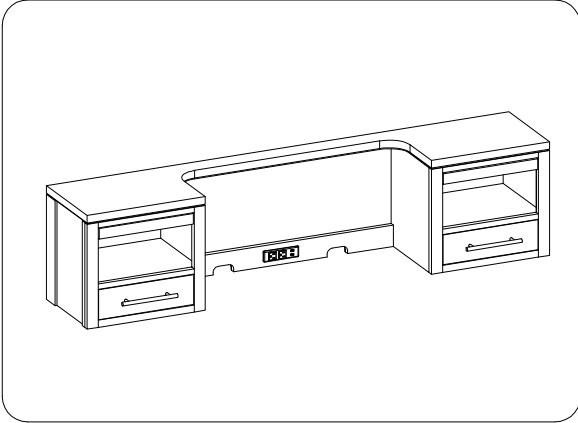


Remove the wood screws on
the back panels of drawer box
to remove the rod loops and
file rods if necessary.



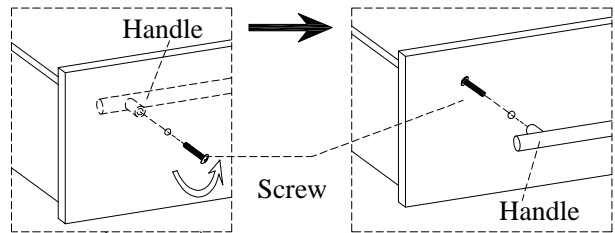
ITEM NO: I597-307H Single Ped Hutch

Thank you for purchasing this quality product. Be sure to check all packing material carefully for small parts that may come loose inside the carton during shipment.



TOOLS REQUIRED (NOT PROVIDED)

PHILLIPS SCREWDRIVER 

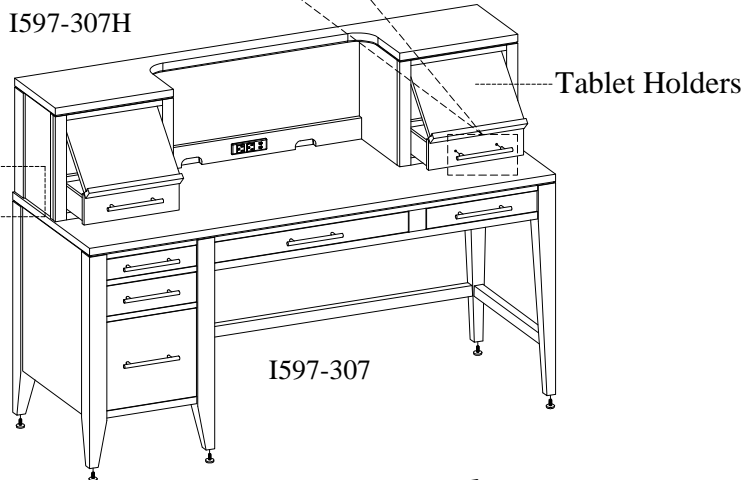


FUNCTIONALITY INSTRUCTION

STEP 1: Put the hutch on the desk top. Take off one screw from each metal plate on the back of hutch and swing it in an ideal location as shown below. Then re-secure the metal plate with screws to desk.

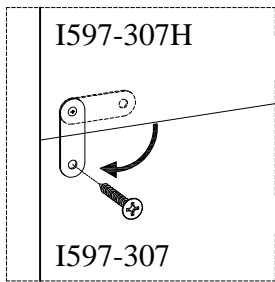
STEP 2: Reverse each handle by removing the screws while each drawer is open and attach all handles to the front of the drawers with screws as shown right.

I597-307H



Tablet Holders

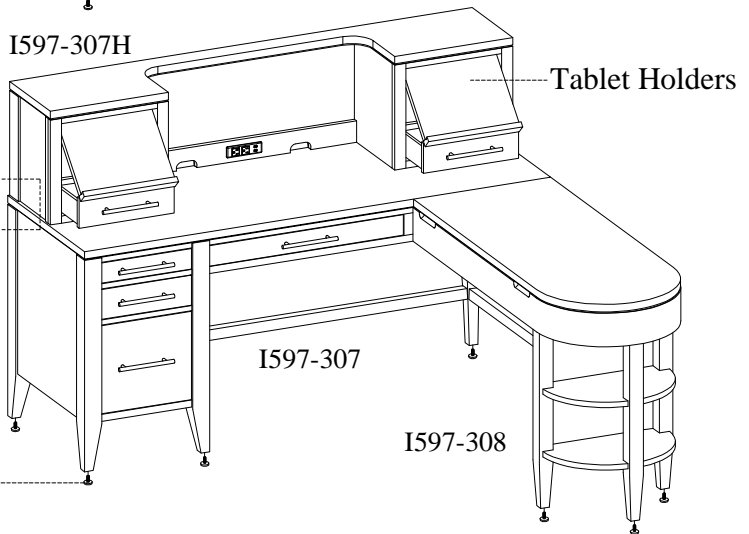
I597-307



I597-307H

I597-307

I597-307H



Tablet Holders

I597-307

I597-308

Adjust the leveler when necessary

Leveler on legs

BEFORE USING THIS PRODUCT PLEASE READ, UNDERSTAND, AND FOLLOW THESE INSTRUCTIONS. Save these instructions for future reference.

FOR INDOOR USE ONLY