



ITEM NO: I597-450-2 2 Drawer Nightstand

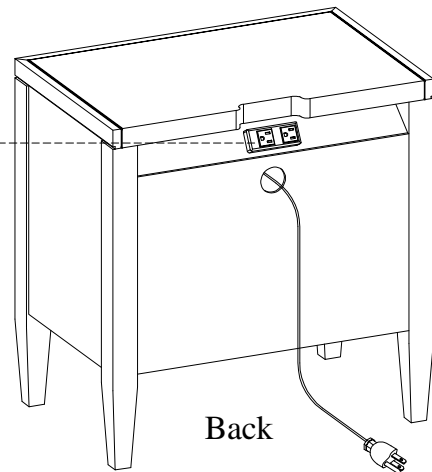
Thank you for purchasing this quality product. Be sure to check all packing material carefully for small parts that may come loose inside the carton during shipment.

WARNING! Before using this product, please read, understand, and follow these instructions. Failure to follow each of these assembly instructions precisely may result in damage to the product and / or injury to the consumer.



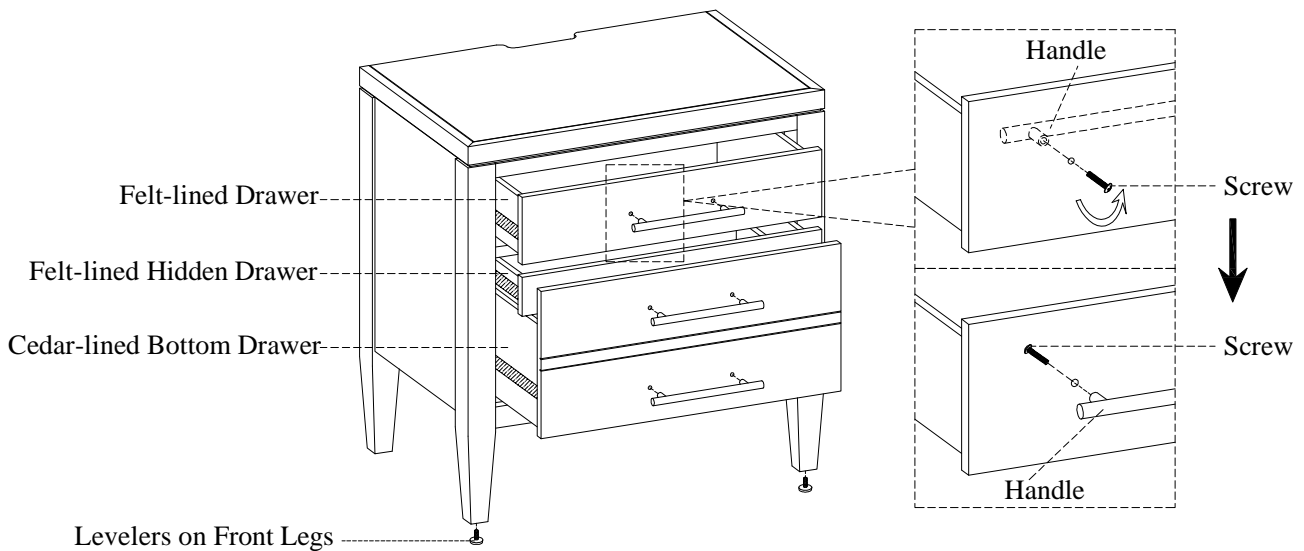
TOOLS REQUIRED (NOT PROVIDED)
PHILLIPS SCREWDRIVER

2 AC outlet power pack



STEP 1: Reverse each handle by removing the screws while each drawer is open and attach all handles to the front of the drawers with screws as shown below.

FUNCTIONALITY INSTRUCTION



Levelers on Front Legs

Adjust the levelers when necessary

FOR INDOOR USE ONLY