

ITEM NO: I597-451-2

1 Drawer Nightstand

Thank you for purchasing this quality product. Be sure to check all packing material carefully for small parts that may come loose inside the carton during shipment.

WARNING! Before using this product, please read, understand, and follow these instructions. Failure to follow each of these assembly instructions precisely may result in damage to the product and / or injury to the consumer.

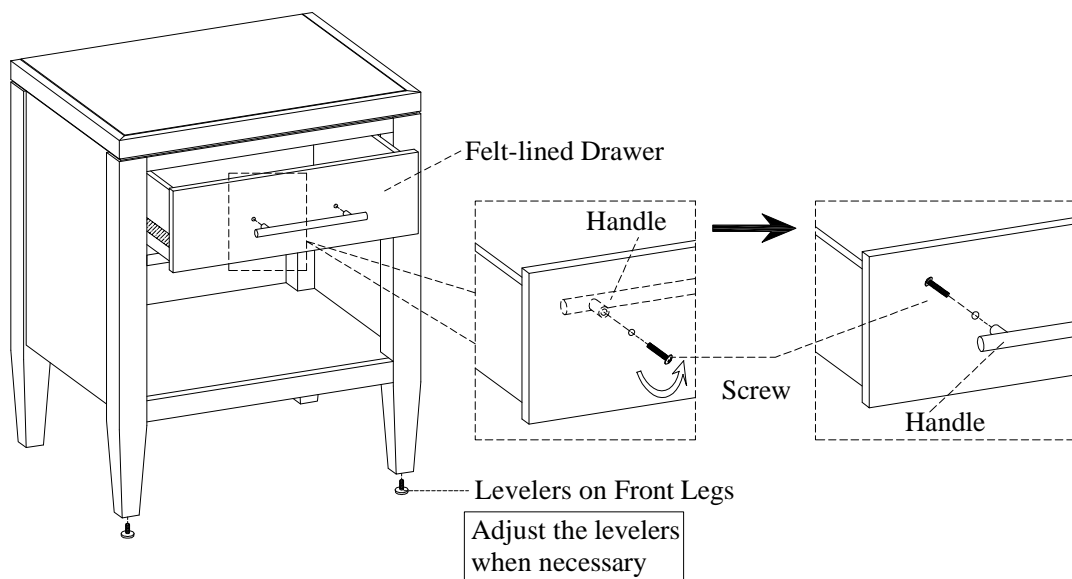


TOOLS REQUIRED (NOT PROVIDED)

PHILLIPS SCREWDRIVER

STEP 1: Reverse the handle by removing the screws while the drawer is open and attach the handle to the front of the drawer with screws as shown below.

FUNCTIONALITY INSTRUCTION



FOR INDOOR USE ONLY