



ITEM NO: I597-412      Queen Panel HB  
 I597-402              Queen Rails w/ Decking  
 I597-403              Queen Low Profile FB

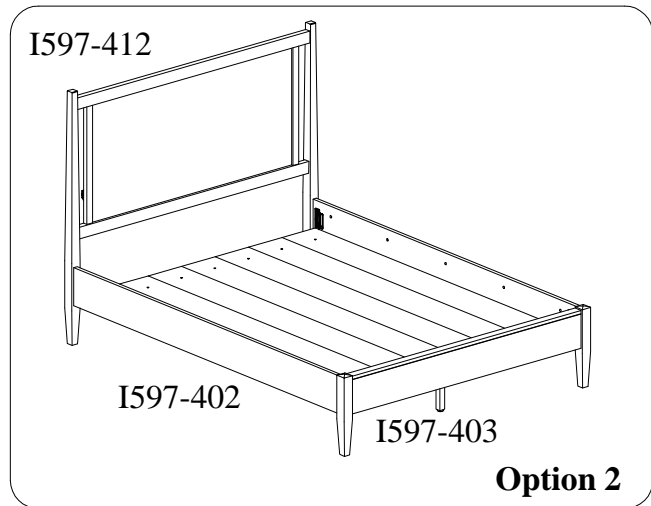
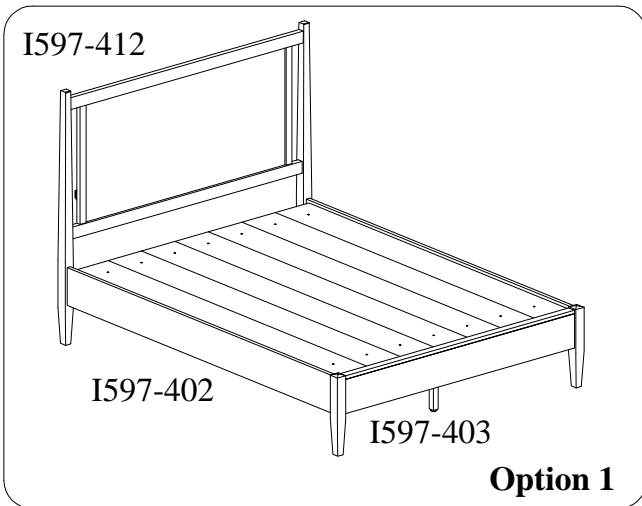
Thank you for purchasing this quality product. Be sure to check all packing material carefully for small parts that may come loose inside the carton during shipment.



**UNIT SHOULD BE INSTALLED BY 2 OR MORE PERSONS.**

All Beds need to be set up in the exact final location so that after full assembly it will not need to be moved. Moving the bed will cause the support legs to move out of perpendicular (90 degree), weaken the support system, and may allow the bed to collapse.

TOOLS REQUIRED (NOT PROVIDED)
PHILLIPS SCREWDRIVER



HARDWARE LIST: I597-412			
No.	Description	Sketch	Quantity
A	Bolt Ø1/4" x 1-3/8"		8 PCS
B	Lock Washer Ø1/4"		8 PCS
C	Flat Washer Ø1/4" x 3/4"		8 PCS
D	Allen Wrench 4mm		1 PC

COMPONENTS LIST: I597-412			
No.	Description	Sketch	Quantity
1	Headboard		1 PC
2	Left leg		1 PC
3	Right leg		1 PC

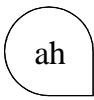
HARDWARE LIST: I597-402			
No.	Description	Sketch	Quantity
E	Hanger Bolt Ø5/16" x 3-1/8"		8 PCS
F	Lock Washer Ø5/16"		8 PCS
G	Flat Washer Ø5/16" x 5/8"		8 PCS
H	Hex Nut Ø5/16"		8 PCS
I	Hex Wrench		1 PC
J	Wood Screw M4 x 1-3/16"		8 PCS
K	Wood Screw M4 x 3/4"		14 PCS

COMPONENTS LIST: I597-402			
No.	Description	Sketch	Quantity
1	Bed rails		2 PCS
2	Slats		4 PCS
3	Decking		7 PCS

COMPONENTS LIST: I597-403			
No.	Description	Sketch	Quantity
1	Footboard		1 PC
2	Support Leg (for slats)		4 Set

BEFORE USING THIS PRODUCT PLEASE READ, UNDERSTAND, AND FOLLOW THESE INSTRUCTIONS. Save these instructions for future reference.

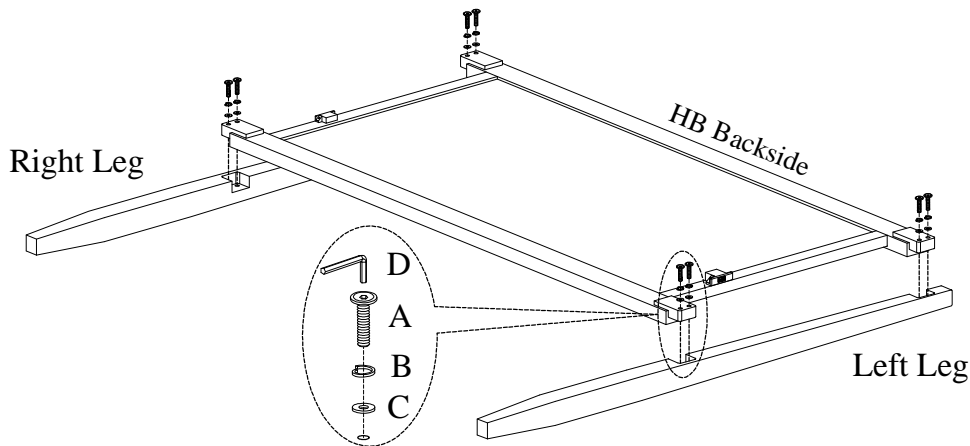
FOR INDOOR USE ONLY



ITEM NO: I597-412  
I597-402  
I597-403

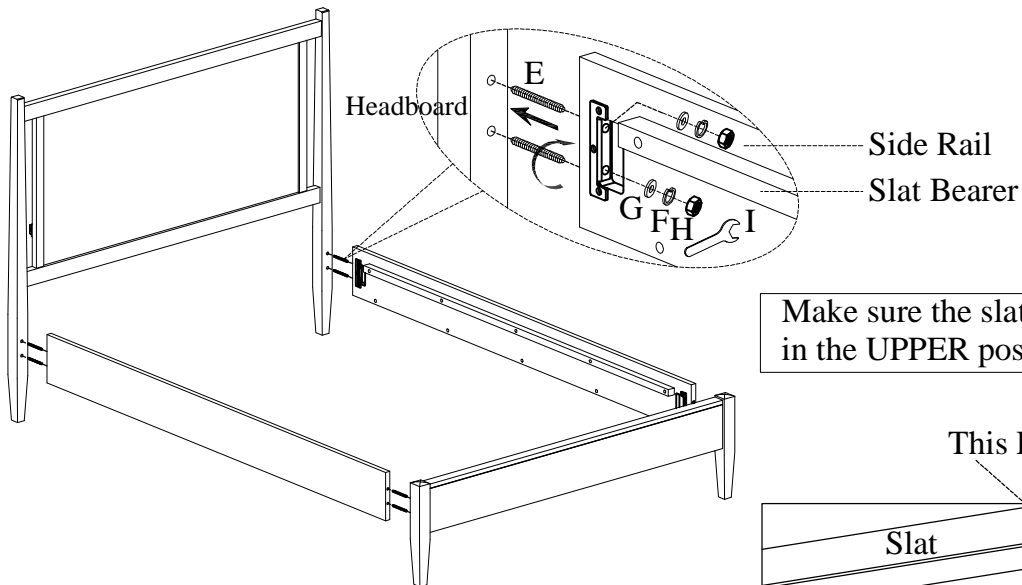
Queen Panel HB  
Queen Rails w/ Decking  
Queen Low Profile FB

**STEP 1:** Lay the headboard face down on a soft surface. Attach the left leg and right leg to headboard by using 8 bolts(A), lock washers(B) and flat washers(C) as shown below. Completely tighten all bolts.



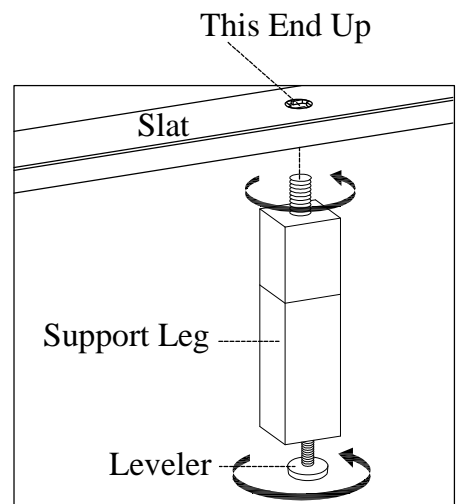
**For option 1:**

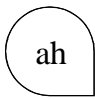
**STEP 2:** Screw the bolts(E) into HB & FB. Make sure the slat bearer is in the UPPER position. Align the bolts with the holes in the end of side rails and attach the side rails to HB & FB using flat washer(G), lock washers(F) and nuts(H). Then use a hex wrench(I) to tighten all the nuts.



Make sure the slat bearer is in the UPPER position.

**STEP 3:** Attach the support legs with leveler to the slats. Adjust the levelers on bottom of support legs when necessary.

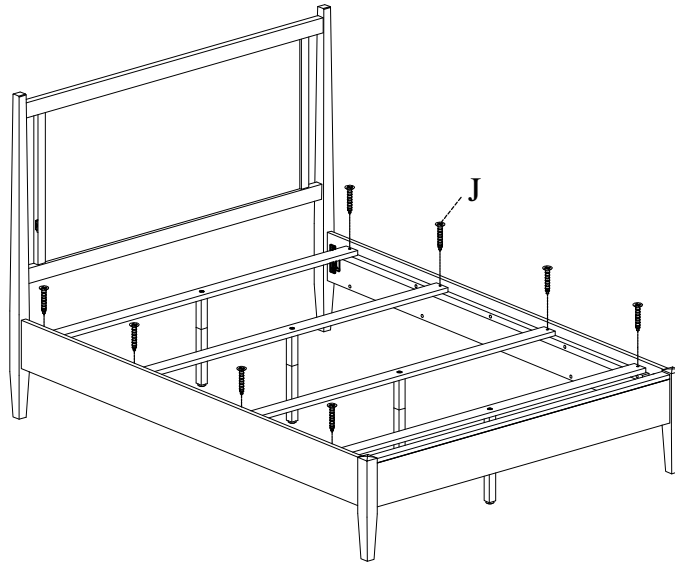




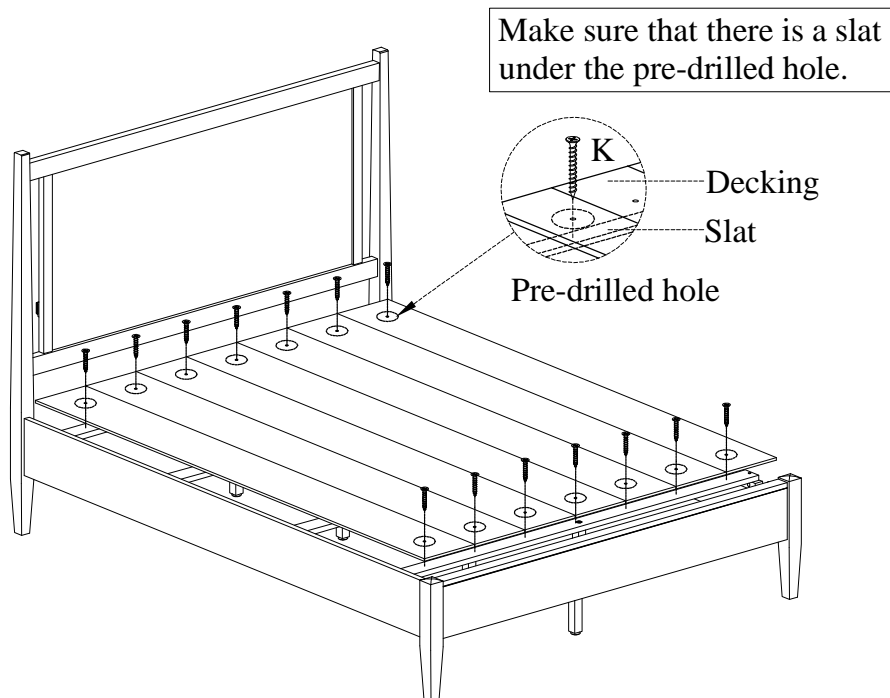
ITEM NO: I597-412  
I597-402  
I597-403

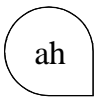
Queen Panel HB  
Queen Rails w/ Decking  
Queen Low Profile FB

**STEP 4:** Arrange slats on the slat bearers and then lay the decking on top of the slats. Make sure the top and bottom slats are situated underneath the pre-drilled holes as shown in STEP 5. Remove the decking and attach slats to the slat bearers with wood screws (J).



**STEP 5:** Put the decking over the slats, secure decking to the slats with wood screws (K) through the pre-drilled holes in the decking as shown below.



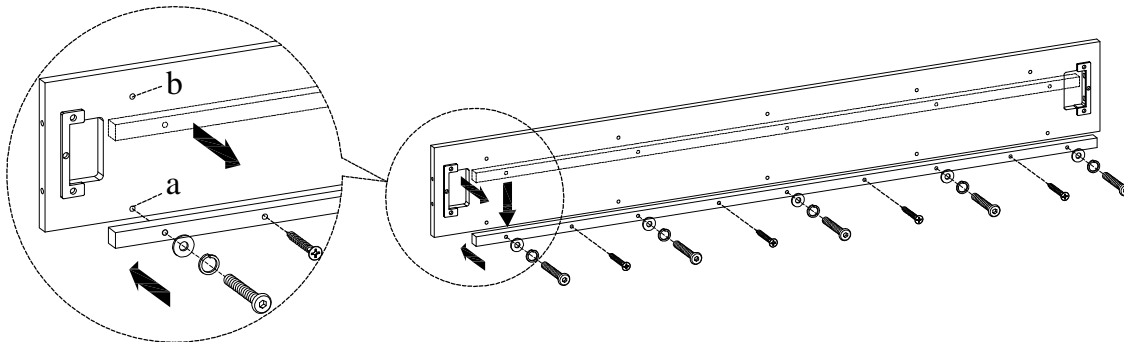


ITEM NO: I597-412  
I597-402  
I597-403

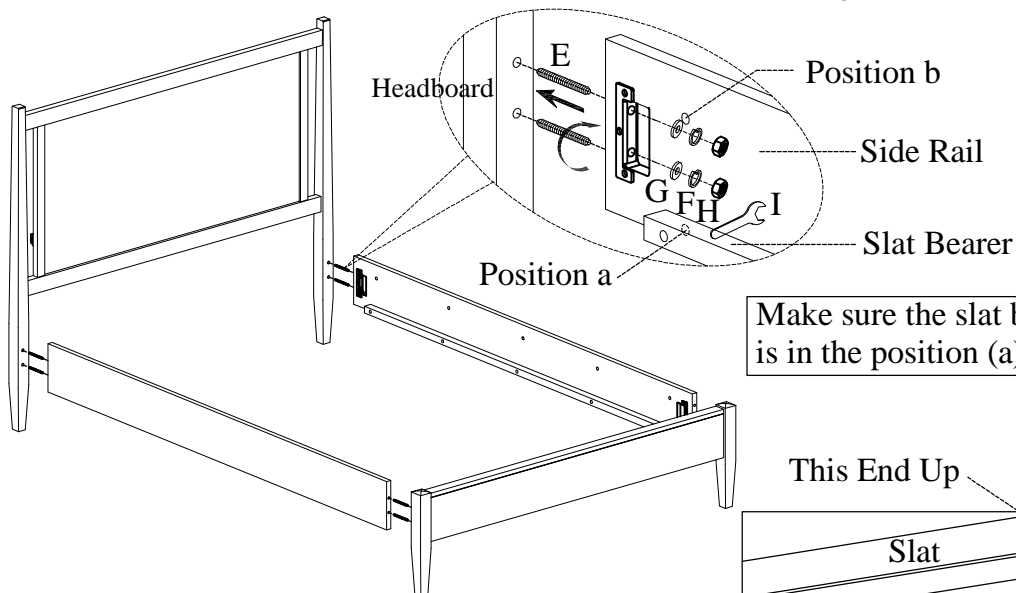
Queen Panel HB  
Queen Rails w/ Decking  
Queen Low Profile FB

### For option 2:

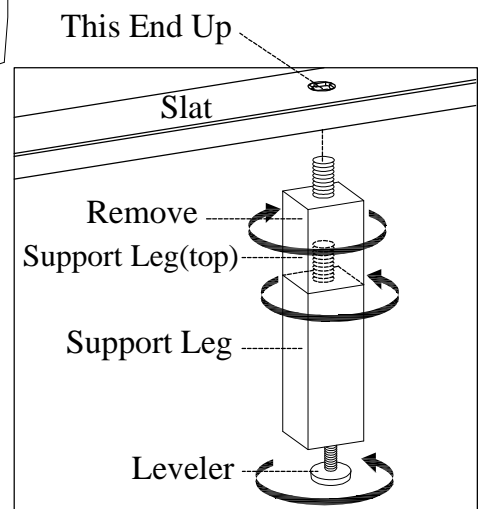
**STEP 2:** The slat bearers have been attached in position (b) approximately 2" from the top of the side rails for the Option 1 configuration. The slat bearers must be moved into position (a) based on this bed configuration. Remove the bolts and screws from the slat bearers and side rails as shown below. Then re-attach the slat bearers to the side rails in position (a) with bolts, lock washers, flat washers, and screws. **Caution: Do not over tighten bolts as this may loosen the threaded inserts in the side rails.**



**STEP 3:** Screw the bolts(E) into HB & FB. Make sure the slat bearer is in the position (a). Align the bolts with the holes in the end of side rails and attach the side rails to HB & FB using flat washer(G), lock washers(F) and nuts(H). Then use a hex wrench(I) to tighten all the nuts.



**STEP 4:** Remove the support legs (top) as shown in the picture to the right. Attach the support legs with leveler to the slats. Adjust the levelers on bottom of support legs when necessary.

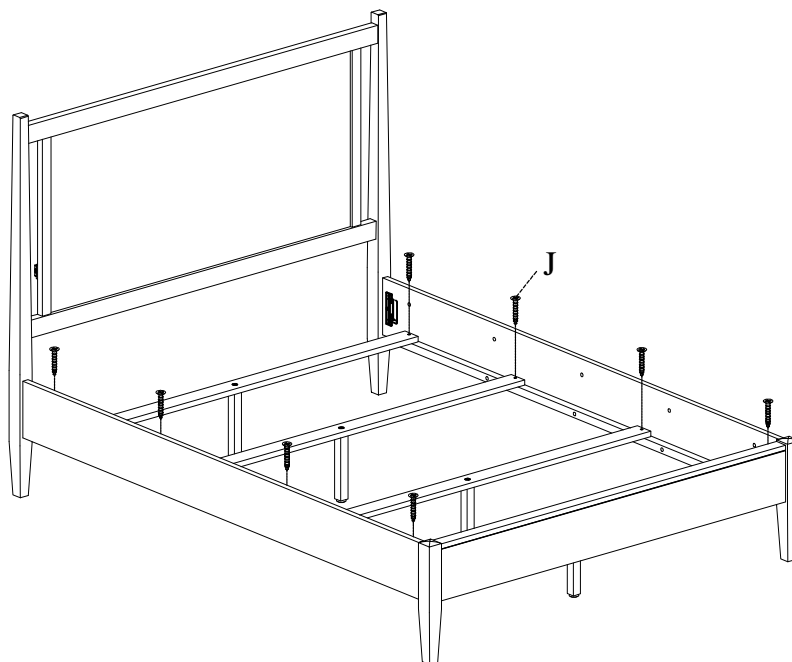




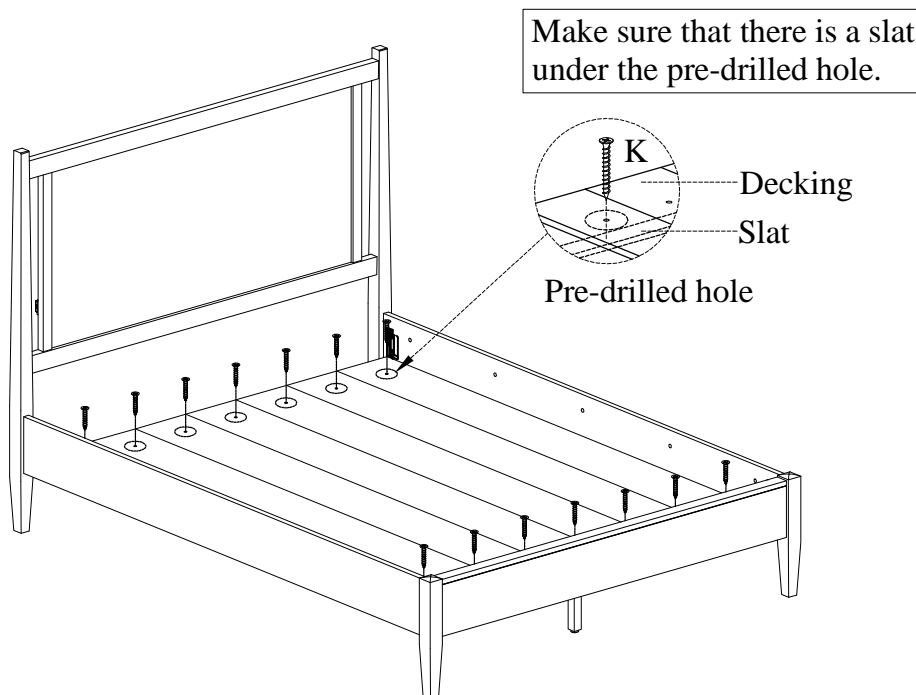
ITEM NO: I597-412  
I597-402  
I597-403

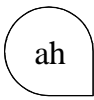
Queen Panel HB  
Queen Rails w/ Decking  
Queen Low Profile FB

**STEP 5:** Arrange slats on the slat bearers and then lay the decking on top of the slats. Make sure the top and bottom slats are situated underneath the pre-drilled holes as shown in STEP 6. Remove the decking and attach slats to the slat bearers with wood screws (J).



**STEP 6:** Put the decking over the slats, secure decking to the slats with wood screws (K) through the pre-drilled holes in the decking as shown below.



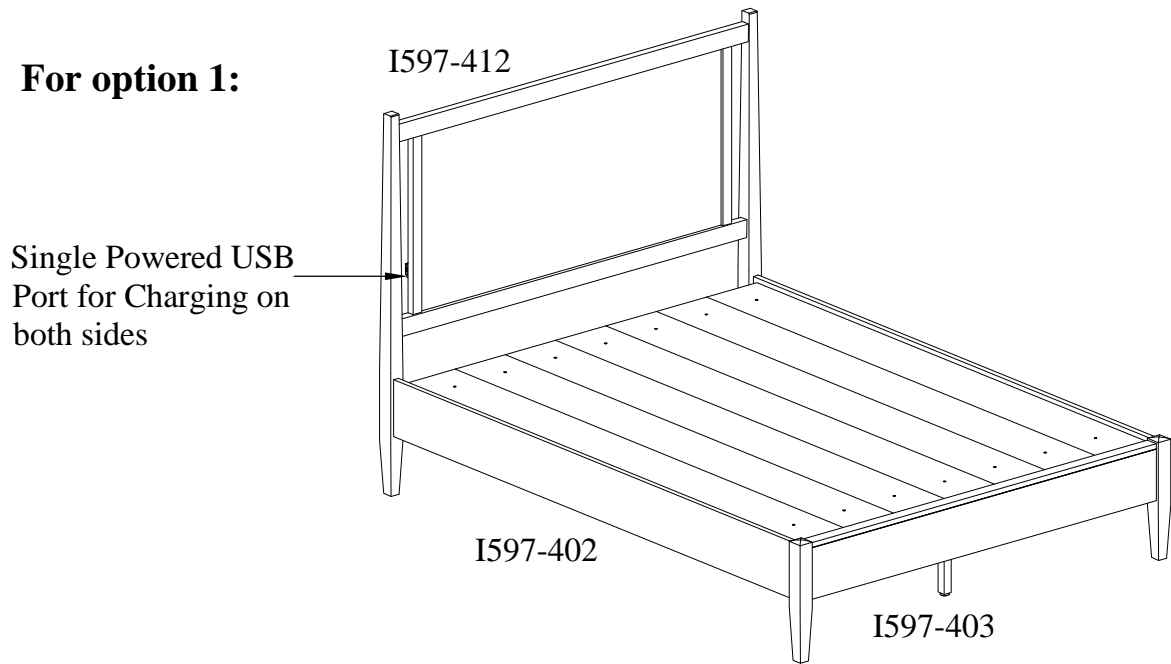


ITEM NO: I597-412  
I597-402  
I597-403

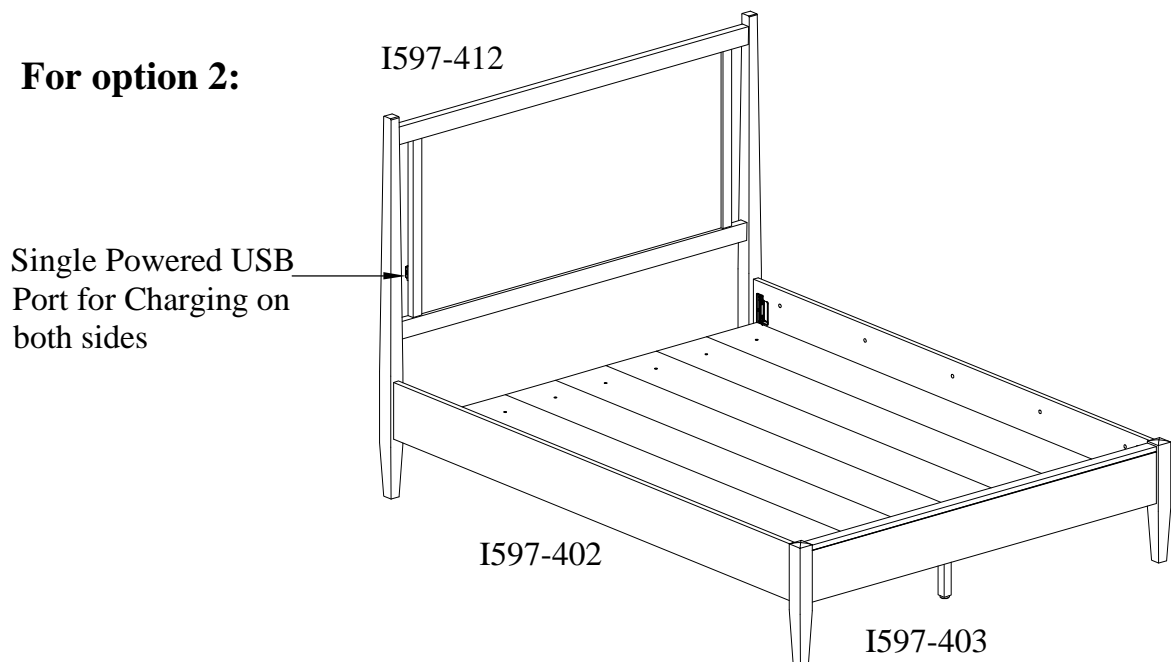
Queen Panel HB  
Queen Rails w/ Decking  
Queen Low Profile FB

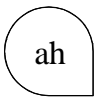
### FUNCTIONALITY INSTRUCTION

#### **For option 1:**



#### **For option 2:**



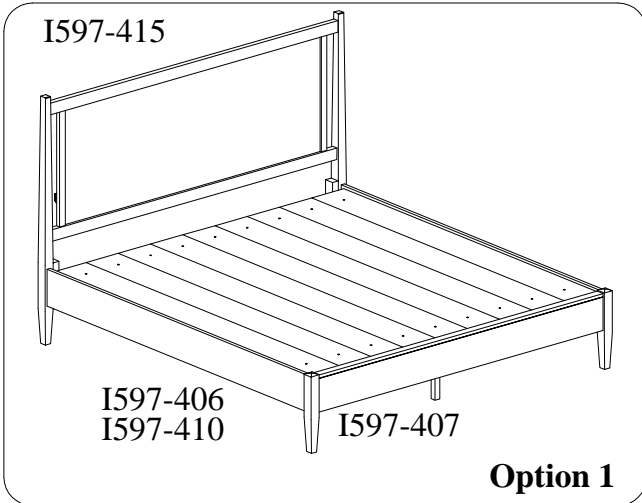


ITEM NO: I597-415      King Panel HB  
 I597-406      King Rails w/ Decking  
 I597-410      Cal King Rails w/ Decking  
 I597-407      King Low Profile FB

Thank you for purchasing this quality product. Be sure to check all packing material carefully for small parts that may come loose inside the carton during shipment.

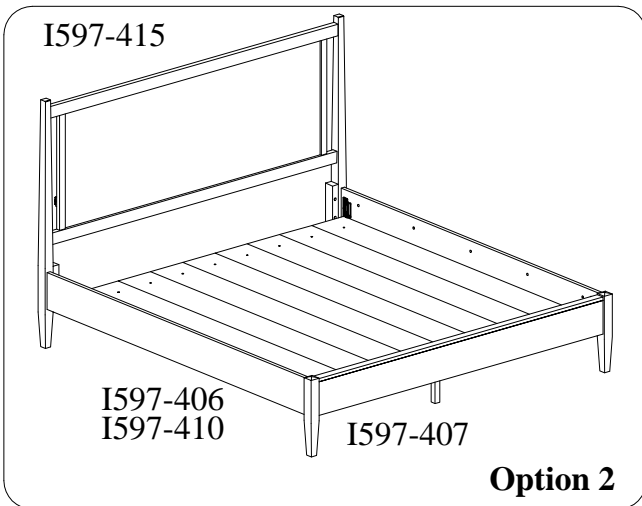


**UNIT SHOULD BE INSTALLED BY 2 OR MORE PERSONS.**



All Beds need to be set up in the exact final location so that after full assembly it will not need to be moved. Moving the bed will cause the support legs to move out of perpendicular (90 degree), weaken the support system, and may allow the bed to collapse.

TOOLS REQUIRED (NOT PROVIDED)
PHILLIPS SCREWDRIVER



BEFORE USING THIS PRODUCT PLEASE READ, UNDERSTAND, AND FOLLOW THESE INSTRUCTIONS. Save these instructions for future reference.

FOR INDOOR USE ONLY



ITEM NO: I597-415      King Panel HB  
 I597-406      King Rails w/ Decking  
 I597-410      Cal King Rails w/ Decking  
 I597-407      King Low Profile FB

HARDWARE LIST: I597-415			
No.	Description	Sketch	Quantity
A	Bolt Ø1/4" x 1-3/8"		8 PCS
B	Lock Washer Ø1/4"		8 PCS
C	Flat Washer Ø1/4" x 3/4"		8 PCS
D	Allen Wrench 4mm		1 PC

HARDWARE LIST: I597-406/410			
No.	Description	Sketch	Quantity
E	Hanger Bolt Ø5/16" x 3-1/8"		8 PCS
F	Lock Washer Ø5/16"		8 PCS
G	Flat Washer Ø5/16" x 5/8"		8 PCS
H	Hex Nut Ø5/16"		8 PCS
I	Hex Wrench		1 PC
J	Wood Screw M4 x 1-3/16"		10 PCS
K	Wood Screw #4 x 3/4"(only for-406)		18 PCS
L	Wood Cap (only for 410)		8 PCS
M	Wood Screw #4 x 3/4"(only for-410)		16 PCS

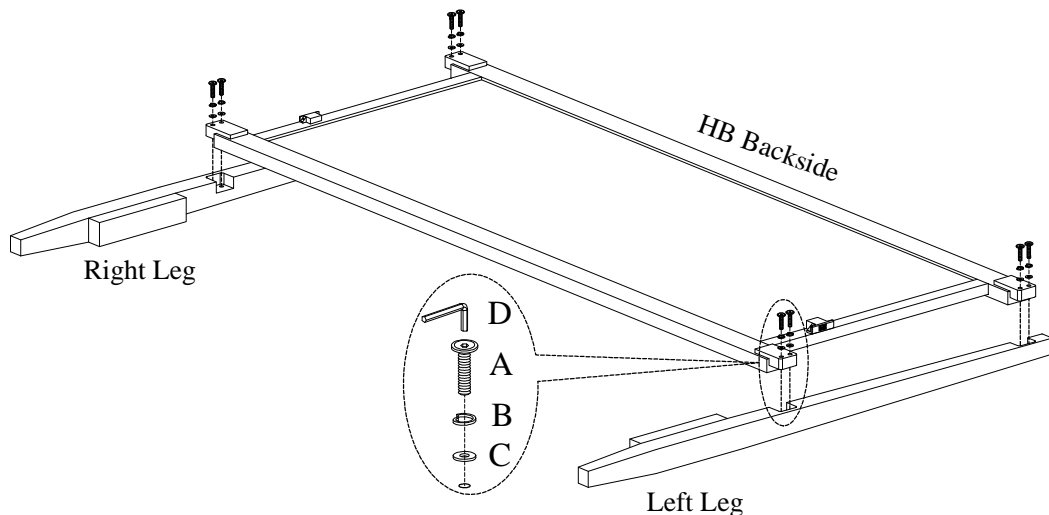
COMPONENTS LIST: I597-415			
No.	Description	Sketch	Quantity
1	Headboard		1 PC
2	Left leg		1 PC
3	Right leg		1 PC

COMPONENTS LIST: I597-406			
No.	Description	Sketch	Quantity
1	Bed rails		2 PCS
2	Slats		5 PCS
3	Decking		9 PCS

COMPONENTS LIST: I597-410			
No.	Description	Sketch	Quantity
1	Bed rails		2 PCS
2	Slats		5 PCS
3	Decking		8 PCS

COMPONENTS LIST: I597-407			
No.	Description	Sketch	Quantity
1	Footboard		1 PC
2	Support Leg (for slats)		5 Set

**STEP 1:** Lay the headboard face down on a soft surface. Attach the left leg and right leg to headboard by using 8 bolts(A), lock washers(B) and flat washers(C) as shown below. Completely tighten all bolts.



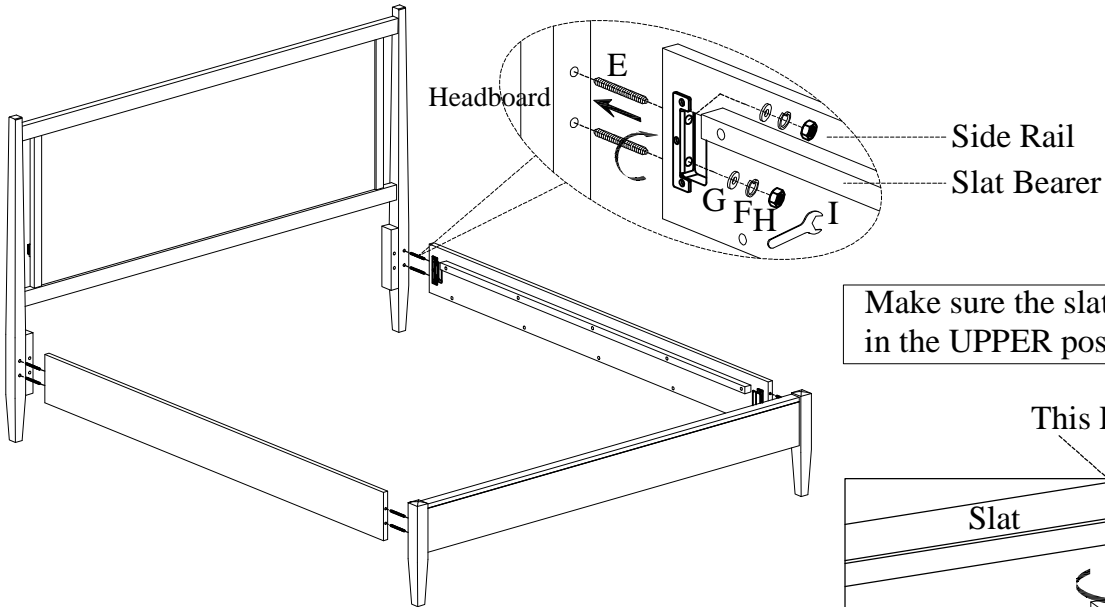




ITEM NO: I597-415      King Panel HB  
 I597-406      King Rails w/ Decking  
 I597-410      Cal King Rails w/ Decking  
 I597-407      King Low Profile FB

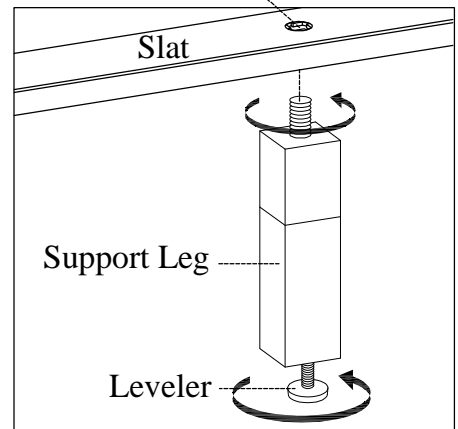
### For option 1:

**STEP 2:** Screw the bolts(E) into HB & FB. Make sure the slat bearer is in the UPPER position. Align the bolts with the holes in the end of side rails and attach the side rails to HB & FB using flat washer(G), lock washers(F) and nuts(H). Then use a hex wrench(I) to tighten all the nuts.



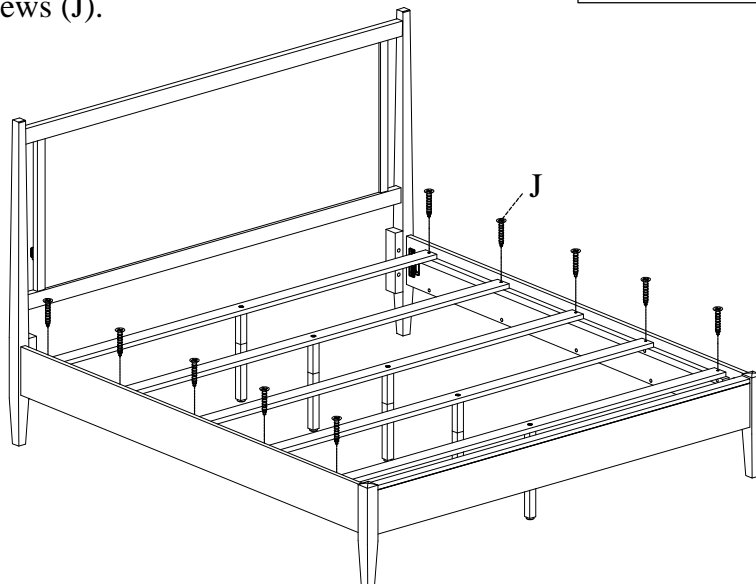
Make sure the slat bearer is in the UPPER position.

This End Up



**STEP 3:** Attach the support legs with leveler to the slats. Adjust the levelers on bottom of support legs when necessary.

**STEP 4:** Arrange slats on the slat bearers and then lay the decking on top of the slats. Make sure the top and bottom slats are situated underneath the pre-drilled holes as shown in STEP 5. Remove the decking and attach slats to the slat bearers with wood screws (J).

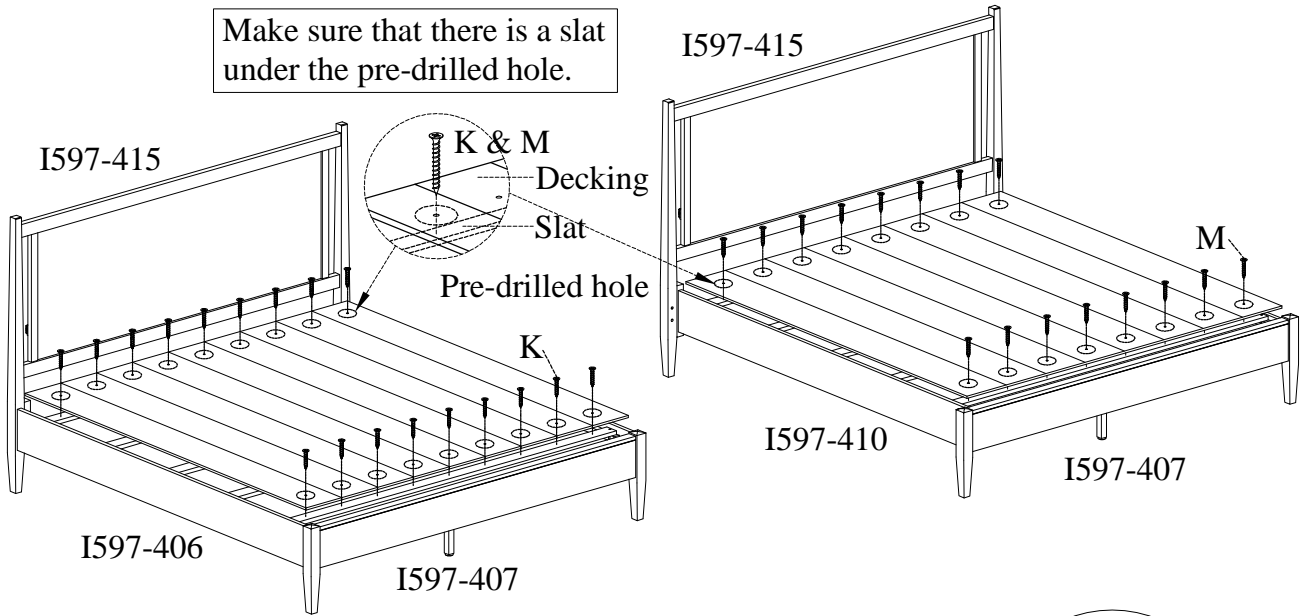




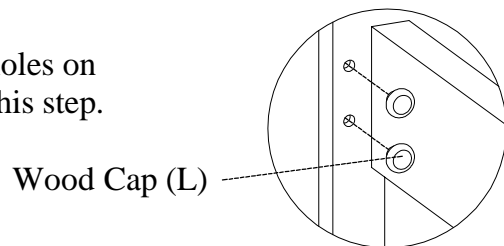
- ITEM NO: I597-415      King Panel HB  
 I597-406      King Rails w/ Decking  
 I597-410      Cal King Rails w/ Decking  
 I597-407      King Low Profile FB

**STEP 5:** Put the decking over the slats, secure decking to the slats with wood screws (K & M) through the pre-drilled holes in the decking as shown below.

Make sure that there is a slat under the pre-drilled hole.



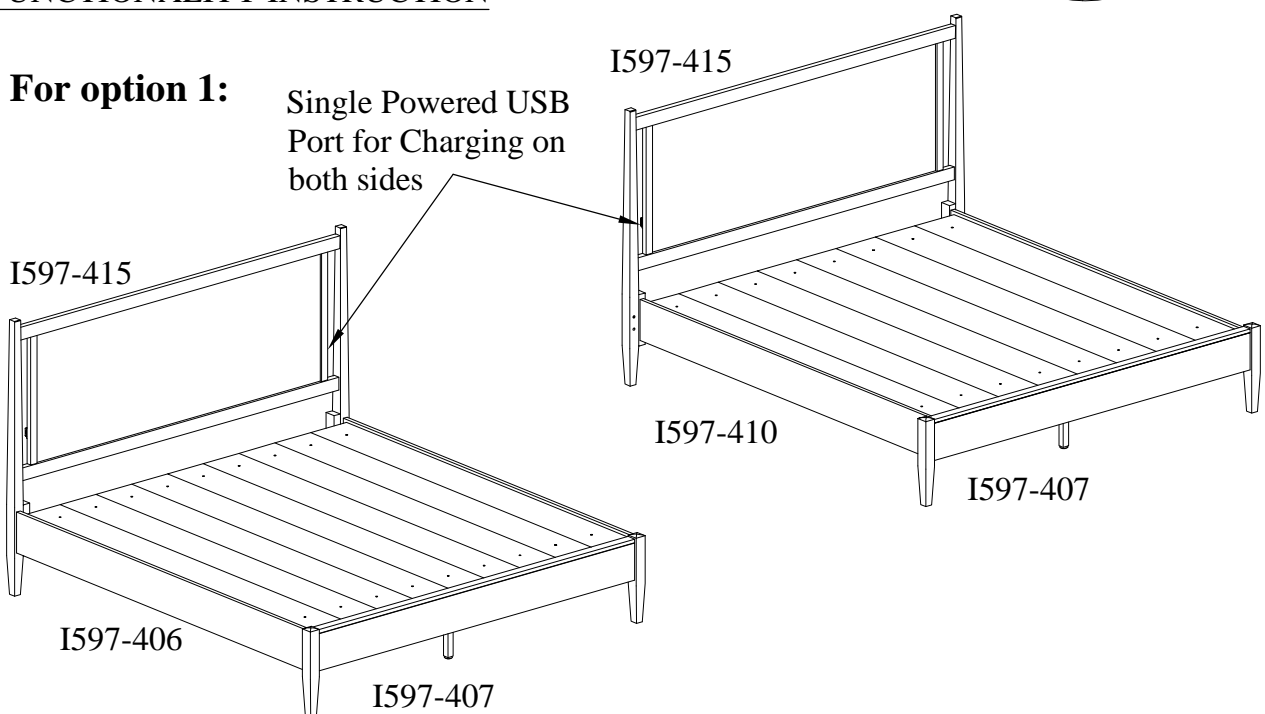
**STEP 6:** For Cal King bed, insert wood caps into the holes on headboard and footboard. For regular King bed, skip this step.



### FUNCTIONALITY INSTRUCTION

**For option 1:**

Single Powered USB Port for Charging on both sides

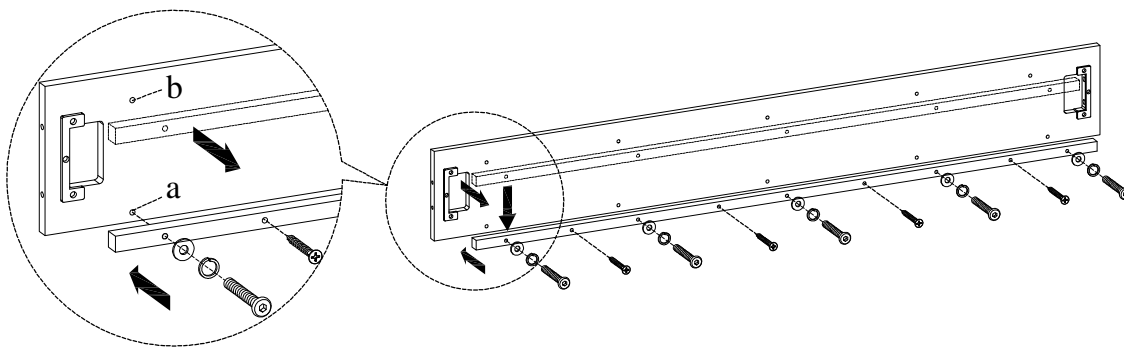




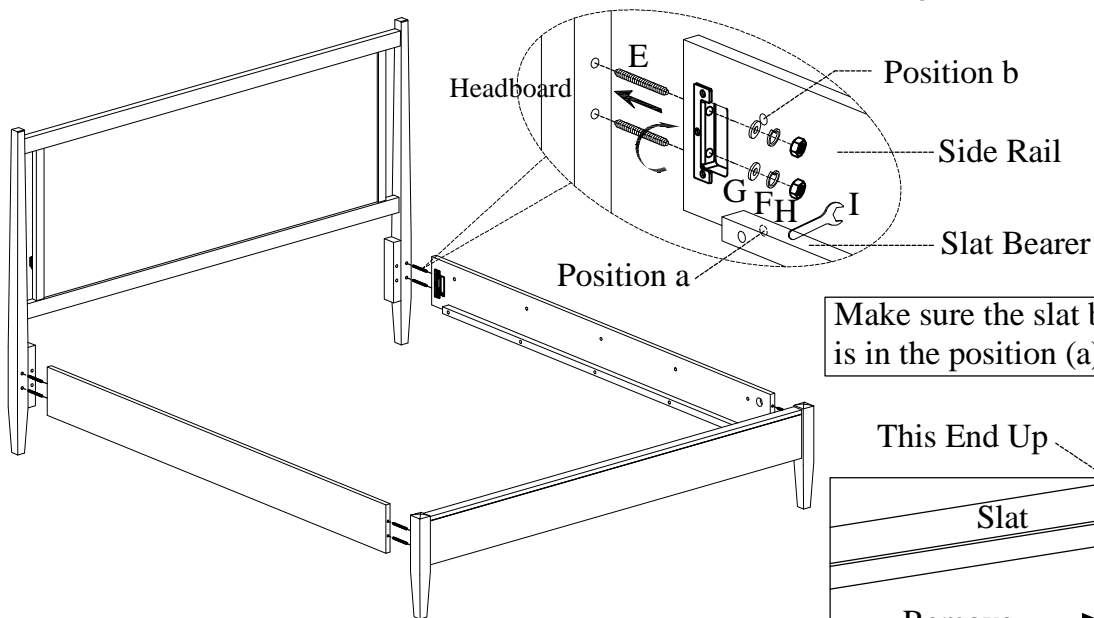
ITEM NO: I597-415      King Panel HB  
 I597-406      King Rails w/ Decking  
 I597-410      Cal King Rails w/ Decking  
 I597-407      King Low Profile FB

### For option 2:

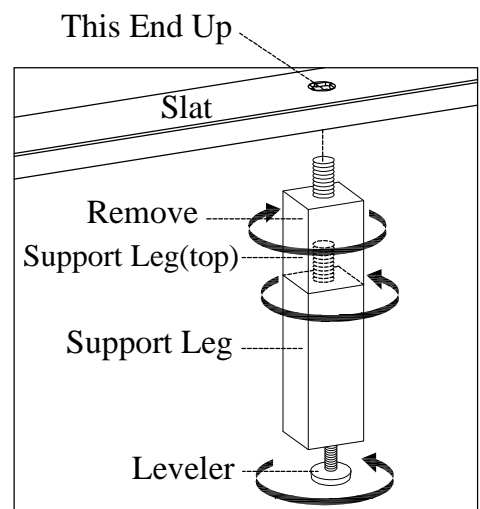
**STEP 2:** The slat bearers have been attached in position (b) approximately 2" from the top of the side rails for the Option 1 configuration. The slat bearers must be moved into position (a) based on this bed configuration. Remove the bolts and screws from the slat bearers and side rails as shown below. Then re-attach the slat bearers to the side rails in position (a) with bolts, lock washers, flat washers, and screws. **Caution: Do not over tighten bolts as this may loosen the threaded inserts in the side rails.**

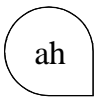


**STEP 3:** Screw the bolts(E) into HB & FB. Make sure the slat bearer is in the position (a). Align the bolts with the holes in the end of side rails and attach the side rails to HB & FB using flat washer(G), lock washers(F) and nuts(H). Then use a hex wrench(I) to tighten all the nuts.



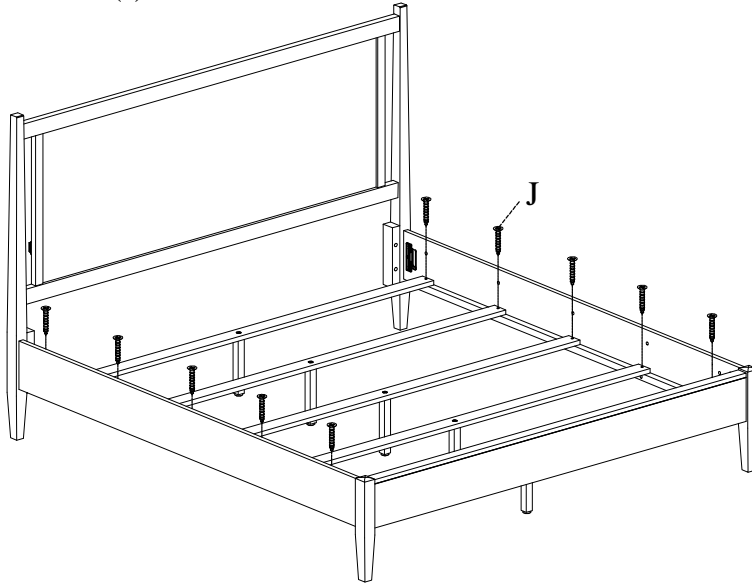
**STEP 4:** Remove the support legs (top) as shown in the picture to the right. Attach the support legs with leveler to the slats. Adjust the levelers on bottom of support legs when necessary.



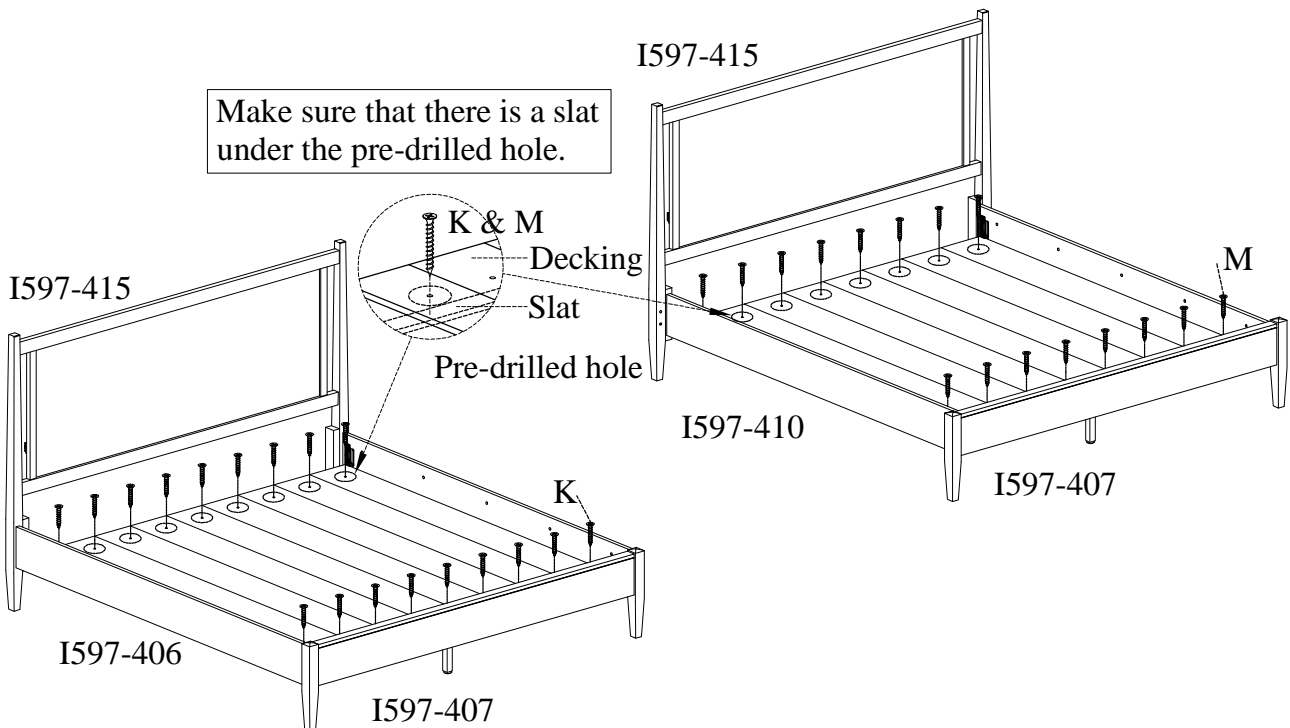


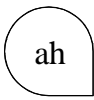
- |                   |                           |
|-------------------|---------------------------|
| ITEM NO: I597-415 | King Panel HB             |
| I597-406          | King Rails w/ Decking     |
| I597-410          | Cal King Rails w/ Decking |
| I597-407          | King Low Profile FB       |

**STEP 5:** Arrange slats on the slat bearers and then lay the decking on top of the slats. Make sure the top and bottom slats are situated underneath the pre-drilled holes as shown in STEP 6. Remove the decking and attach slats to the slat bearers with wood screws (J).



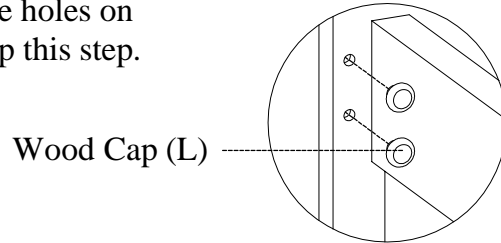
**STEP 6:** Put the decking over the slats, secure decking to the slats with wood screws (K & M) through the pre-drilled holes in the decking as shown below.





ITEM NO: I597-415      King Panel HB  
 I597-406      King Rails w/ Decking  
 I597-410      Cal King Rails w/ Decking  
 I597-407      King Low Profile FB

**STEP 7:** For Cal King bed, insert wood caps into the holes on headboard and footboard. For regular King bed, skip this step.



### FUNCTIONALITY INSTRUCTION

**For option 2:**

