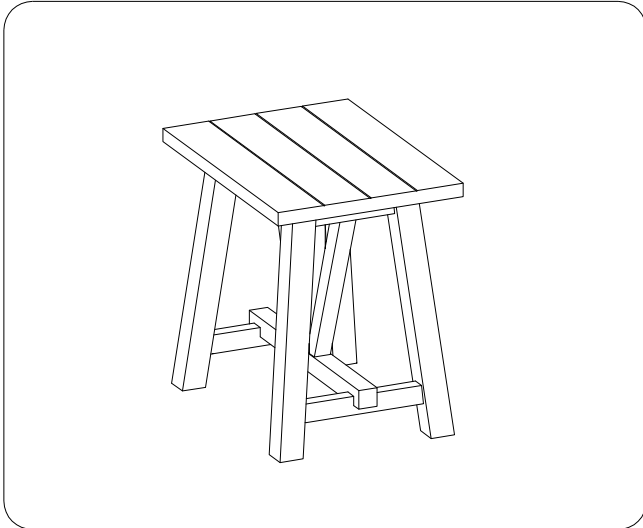


ITEM NO: I629-9130-DEN/PRW Chairside Table


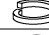





Thank you for purchasing this quality product. Be sure to check all packing material carefully for small parts that may come loose inside the carton during shipment.



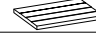


TOOLS REQUIRED (NOT PROVIDED)

PHILLIPS SCREWDRIVER 

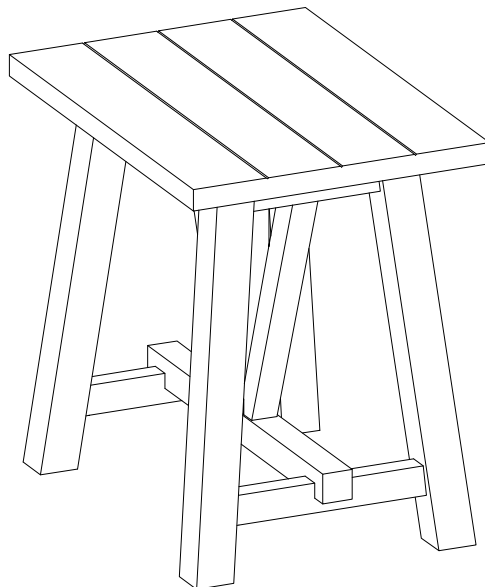
HARDWARE LIST:

No.	Description	Sketch	Quantity
A	Bolt Ø5/16" x 1-1/2" (18)		6 PCS
B	Lock Washer Ø5/16"		6 PCS
C	Flat Washer Ø5/16" x 3/4"		6 PCS
D	Bolt Ø1/4" x 1-1/2" (20)		2 PCS
E	Lock Washer Ø1/4"		2 PCS
F	Flat Washer Ø1/4" x 3/4"		2 PCS
G	Allen Wrench 4mm		1 PC

COMPONENTS LIST:

No.	Description	Sketch	Quantity
1	Table Top		1 PC
2	Front/Back Assembly		2 PCS
3	Central Assembly		1 PC

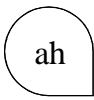
FUNCTIONALITY INSTRUCTION



BEFORE USING THIS PRODUCT PLEASE READ, UNDERSTAND, AND FOLLOW THESE INSTRUCTIONS.

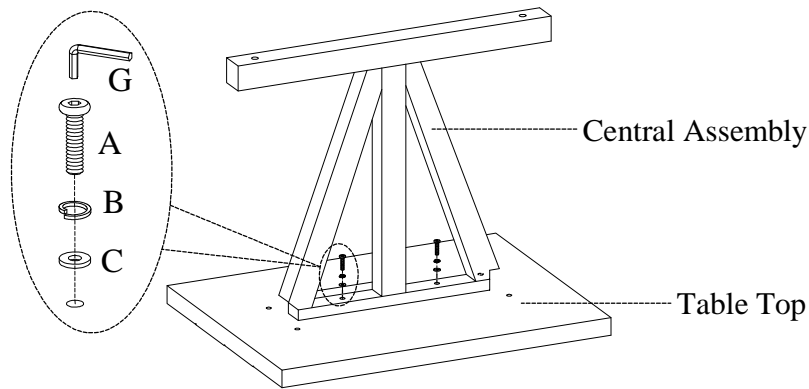
Save these instructions for future reference.

FOR INDOOR USE ONLY



ITEM NO: I629-9130-DEN/PRW Chairside Table

STEP 1: Put the table top face down on a soft surface. Attach the central assembly to table top by using 2 bolts(A), lock washers(B) and flat washers(C) as shown below. Do not completely tighten bolts.



STEP 2: Attach the front/back assembly to table top by using 4 bolts(A), lock washers(B) flat washers(C) and 2 bolts(D), lock washers(E) flat washers(F) as shown below. Completely tighten all bolts. Turn the assembled table to the upright position.

