

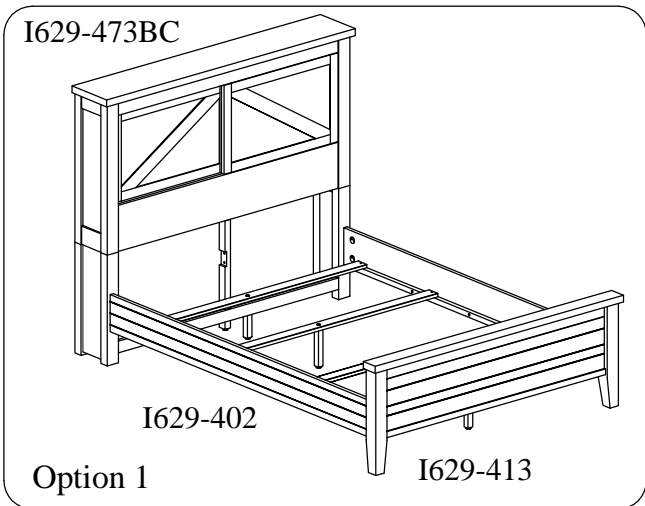


ITEM NO: I629-473BC-DEN/PRW Queen Bookcase HB
 I629-413-DEN/PRW Queen FB
 I629-402-DEN/PRW Queen Rails
 I629-402S-DEN/PRW Queen Side Storage Rails

Thank you for purchasing this quality product. Be sure to check all packing material carefully for small parts that may come loose inside the carton during shipment.

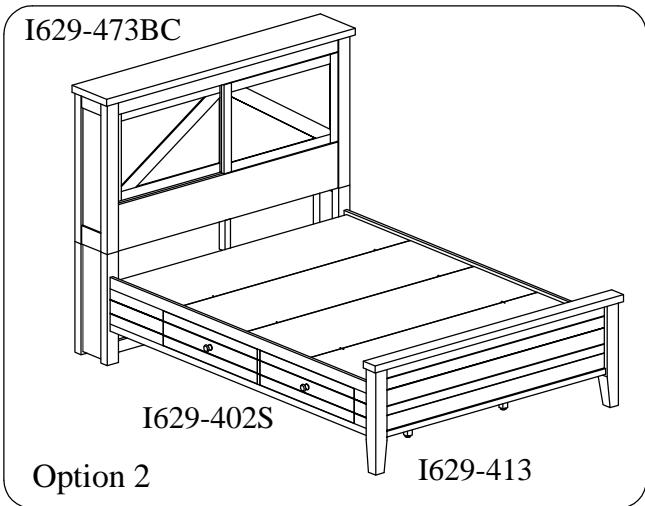


UNIT SHOULD BE INSTALLED BY 2 OR MORE PERSONS.



All Beds need to be set up in the exact final location so that after full assembly it will not need to be moved. Moving the bed will cause the support legs to move out of perpendicular (90 degree), weaken the support system, and may allow the bed to collapse.

TOOLS REQUIRED (NOT PROVIDED)	
PHILLIPS SCREWDRIVER	



BEFORE USING THIS PRODUCT PLEASE READ, UNDERSTAND, AND FOLLOW THESE INSTRUCTIONS.
 Save these instructions for future reference.

FOR INDOOR USE ONLY



ITEM NO: I629-473BC-DEN/PRW
 I629-413-DEN/PRW
 I629-402-DEN/PRW
 I629-402S-DEN/PRW

Queen Bookcase HB
 Queen FB
 Queen Rails
 Queen Side Storage Rails

HARDWARE LIST: I629-473BC			
No.	Description	Sketch	Quantity
A	Bolt Ø5/16" x 1-1/2"(18)		8 PCS
B	Bolt Ø5/16" x 2"(18)		6 PCS
C	Lock Washer Ø5/16"		14 PCS
D	Flat Washer Ø5/16" x 3/4"		14 PCS
E	Allen Wrench 4mm		1 PC

COMPONENTS LIST: I629-473BC			
No.	Description	Sketch	Quantity
1	Headboard		1 PC
2	Left Side Assembly		1 PC
3	Right Side Assembly		1 PC
4	Wood Stretcher		1 PC
5	Center Support Leg		1 PC

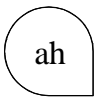
HARDWARE LIST: I629-402			
No.	Description	Sketch	Quantity
F	Hanger Bolt Ø5/16"x3-1/8"(18)		8 PCS
G	Half Moon Washer Ø5/16"		8 PCS
H	Lock Washer Ø5/16"		8 PCS
I	Hex Nut Ø5/16"		8 PCS
J	Hex Wrench 12mm		1 PC
K	Wood Screw #4 x 1-1/4"		8 PCS

COMPONENTS LIST: I629-402			
No.	Description	Sketch	Quantity
1	Bed Rail		2 PCS
2	Slat		4 PCS
3	Support Leg		4 PCS

HARDWARE LIST: I629-402S			
No.	Description	Sketch	Quantity
L	Hanger Bolt Ø5/16"x3-1/8"(18)		8 PCS
M	Half Moon Washer Ø5/16"		8 PCS
N	Lock Washer Ø5/16"		8 PCS
O	Hex Nut Ø5/16"		8 PCS
P	Hex Wrench 12mm		1 PC
Q	Wood Screw #4 x 1-1/4"		8 PCS
R	Bolt Ø1/4" x 1-1/4"(20)		10 PCS
S	Lock Washer Ø1/4"		10 PCS
T	Flat Washer Ø1/4" x 3/4"		10 PCS
U	Allen Wrench 4mm		1 PC
V	Wood Screw #4 x 1"		8 PCS

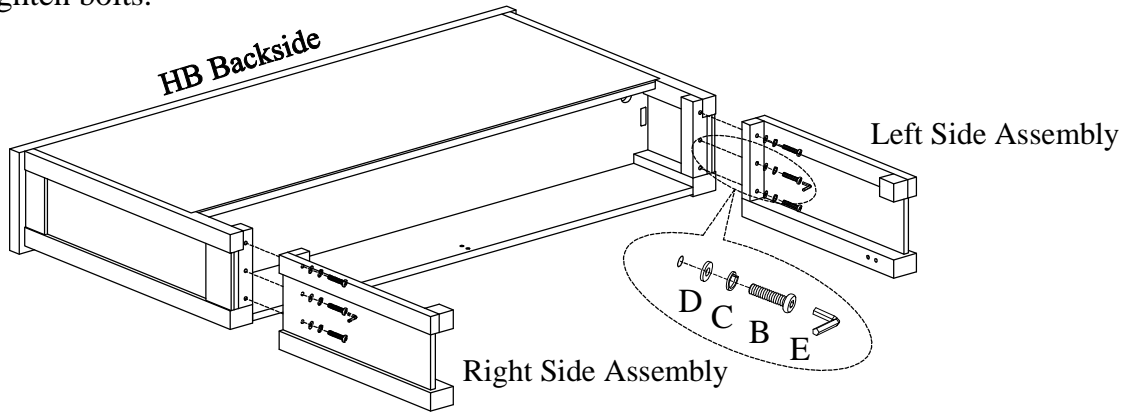
COMPONENTS LIST: I629-402S			
No.	Description	Sketch	Quantity
1	Left Side Storage Rail		1 PC
2	Right Side Storage Rail		1 PC
3	Slat		4 PCS
4	Center Rail		1 PC
5	Support Leg (for center rail)		3 PCS
6	Decking		4 PCS
7	Support Leg		4 PCS

COMPONENTS LIST: I629-413			
No.	Description	Sketch	Quantity
1	Footboard		1 PC

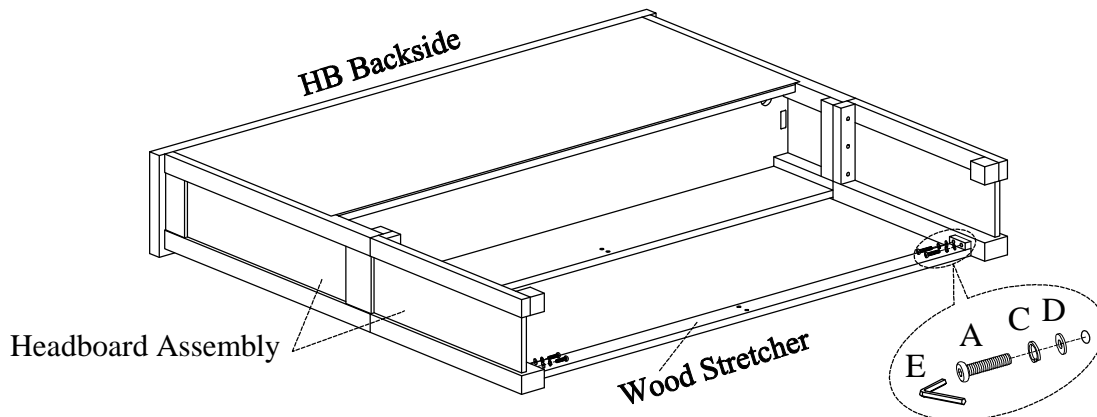


ITEM NO: I629-473BC-DEN/PRW Queen Bookcase HB
 I629-413-DEN/PRW Queen FB
 I629-402-DEN/PRW Queen Rails
 I629-402S-DEN/PRW Queen Side Storage Rails

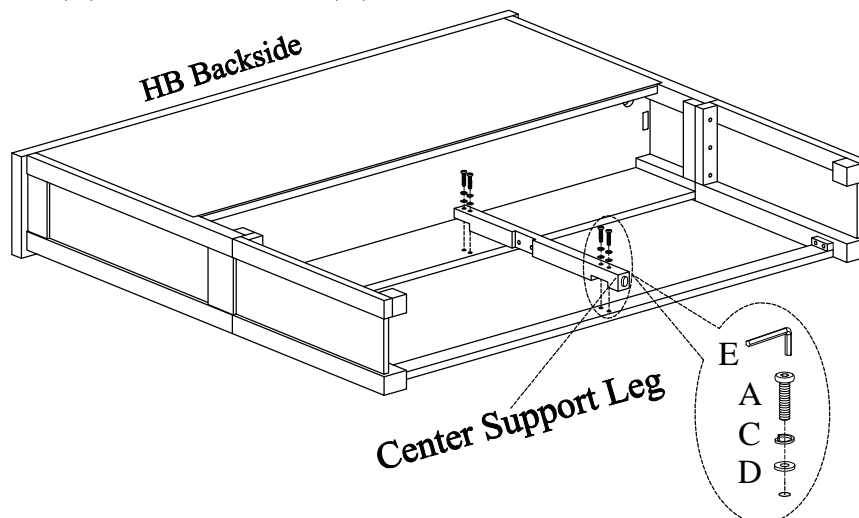
STEP 1: Lay the headboard face down on a soft surface. Attach the left side assembly and right side assembly to headboard by using 6 bolts(B), lock washers(C) and flat washers(D). Do not completely tighten bolts.

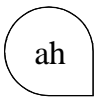


STEP 2: Attach the wood stretcher to the headboard assembly by using 4 bolts(A), lock washers(C) and flat washers(D). Completely tighten all bolts.



STEP 3: Attach the center support leg to headboard assembly and wood stretcher by using 4 bolts(A), lock washers(C) and flat washers(D).



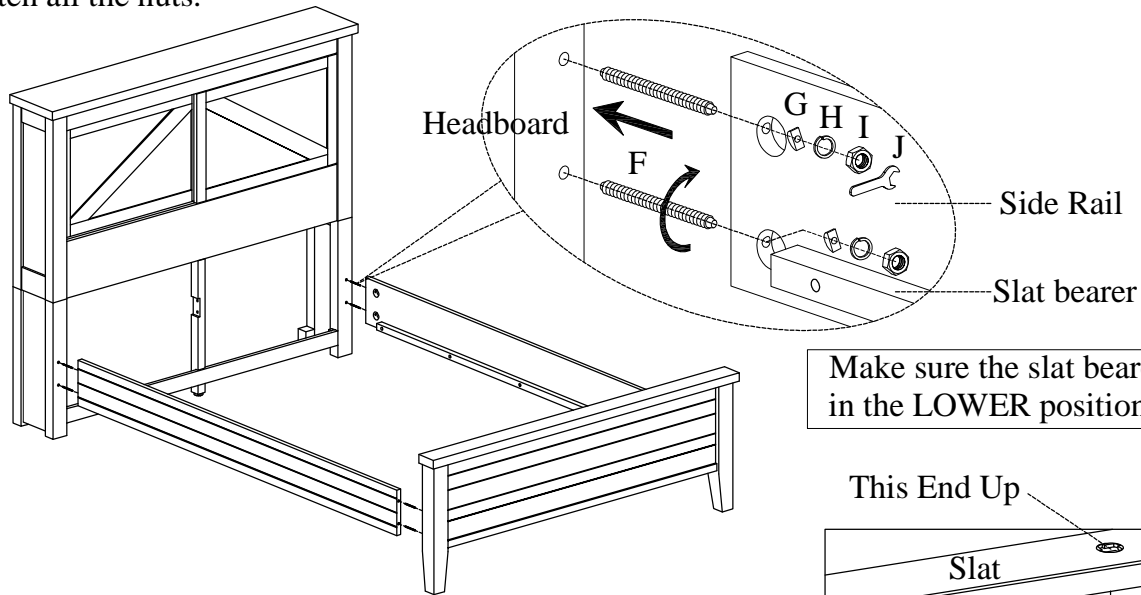


ITEM NO: I629-473BC-DEN/PRW
 I629-413-DEN/PRW
 I629-402-DEN/PRW
 I629-402S-DEN/PRW

Queen Bookcase HB
 Queen FB
 Queen Rails
 Queen Side Storage Rails

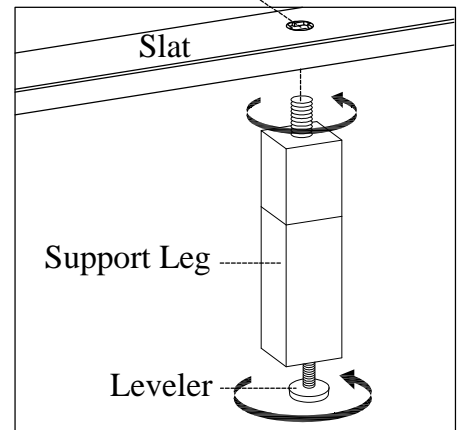
FOR OPTION 1:

STEP 4: Screw the bolts(F) into HB & FB. Make sure the slat bearer is in the lower position. Align the bolts with the holes in the end of side rails and attach the side rails to HB & FB using half moon Washers(G), Lock Washers(H) and hex nuts (I). Then use a hex wrench to tighten all the nuts.



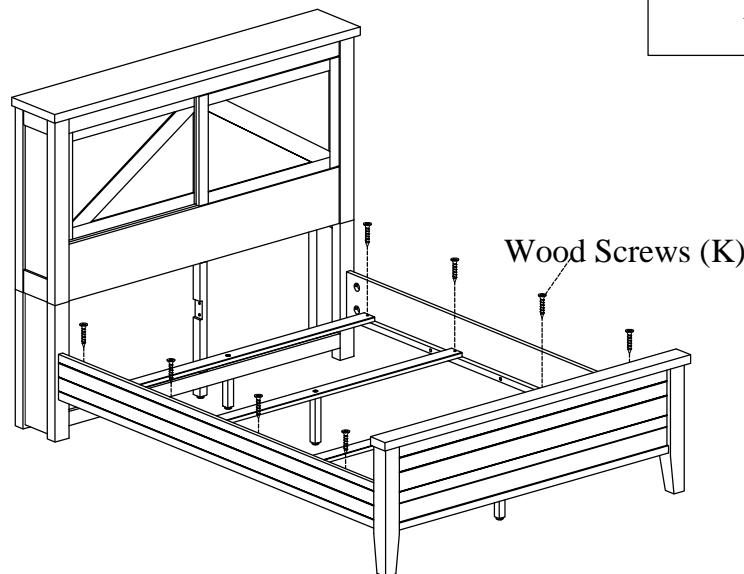
Make sure the slat bearer is in the LOWER position.

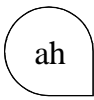
This End Up



STEP 5: Attach the support legs with leveler to the slats. Adjust the levelers on bottom of support legs when necessary.

STEP 6: Arrange the slats on the slat bearers equally and attach to the slat bearers with wood screws (K).





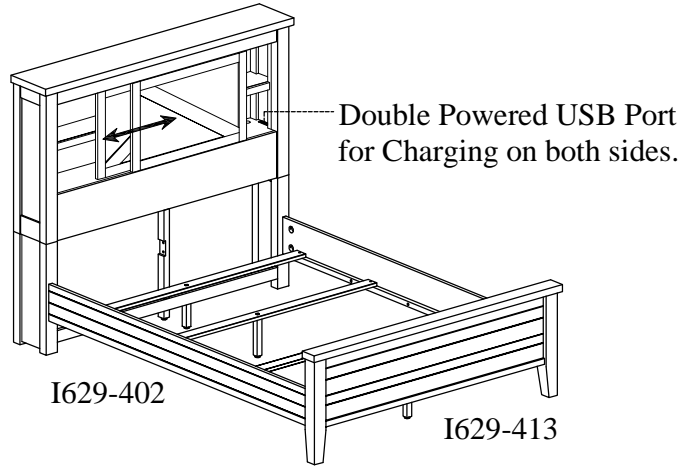
ITEM NO: I629-473BC-DEN/PRW
I629-413-DEN/PRW
I629-402-DEN/PRW
I629-402S-DEN/PRW

Queen Bookcase HB
Queen FB
Queen Rails
Queen Side Storage Rails

FUNCTIONALITY INSTRUCTION

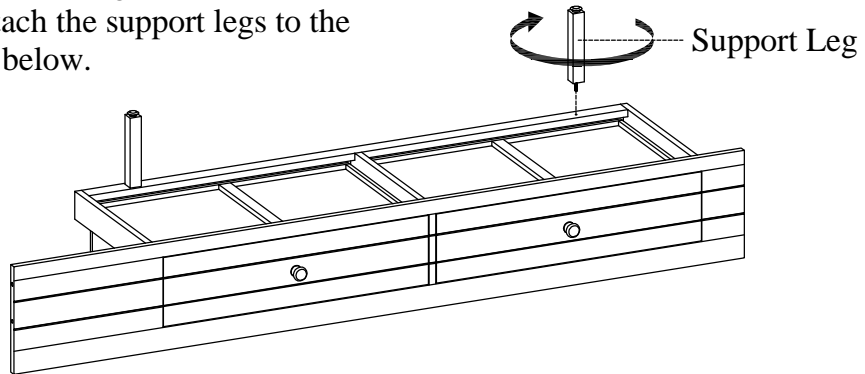
OPTION 1:

I629-473BC

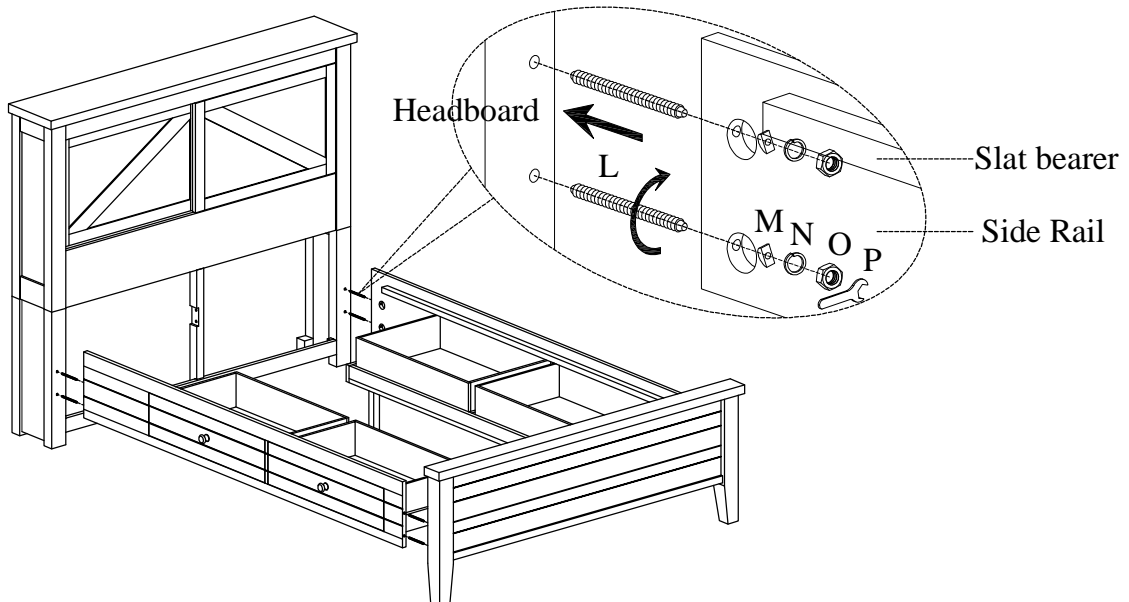


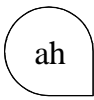
FOR OPTION 2:

STEP 4: Put the left/right side storage rails face down on a soft surface. Attach the support legs to the side storage rails as shown below.



STEP 5: Screw the bolts(L) into HB & FB. Align the bolts with the holes in the end of side storage rails and attach the left/right side storage rail to HB & FB using half moon Washers(M), Lock Washers(N) and hex nuts (O) as shown below. Then use a hex wrench to tighten all the nuts.

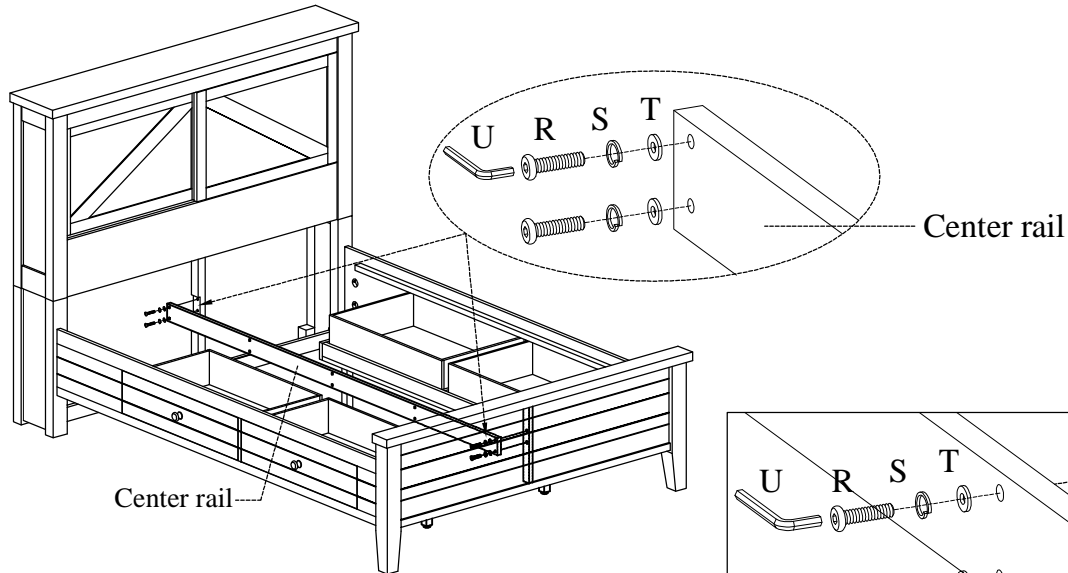




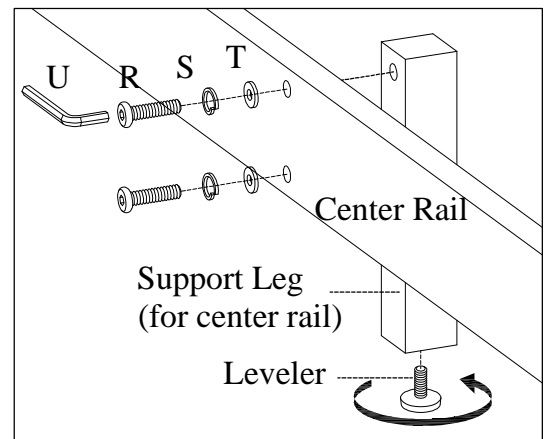
ITEM NO: I629-473BC-DEN/PRW
 I629-413-DEN/PRW
 I629-402-DEN/PRW
 I629-402S-DEN/PRW

Queen Bookcase HB
 Queen FB
 Queen Rails
 Queen Side Storage Rails

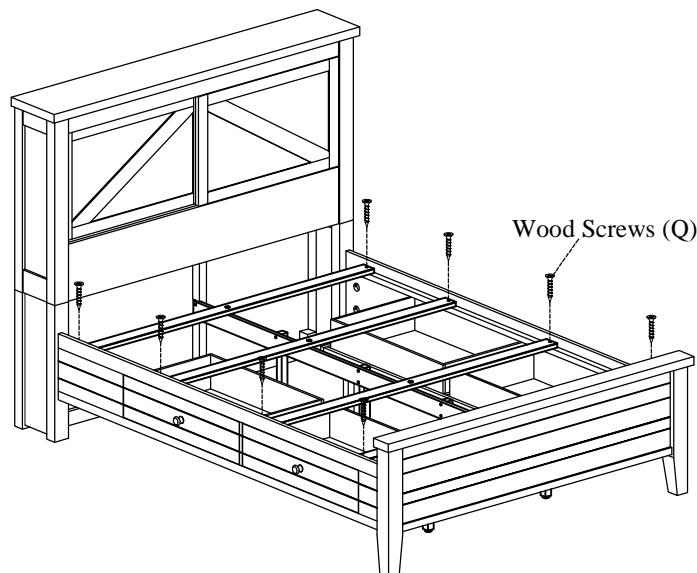
STEP 6: Attach the center rail to the footboard and center support leg of headboard using 4 bolts(R), lock washers(S) and flat washers(T).

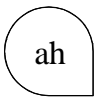


STEP 7: Attach 3 support legs (for center rail) to the center rail using 6 bolts(R), lock washers(S) and flat washers(T). Use the Allen Wrench(U) to tighten all of the bolts.



STEP 8: Arrange slats on the slat bearers and then lay the decking on top of the slats. Make sure the top and bottom slats are situated underneath the pre-drilled holes as shown below in STEP 9. Remove the decking and attach slats to the slat bearers with wood screws (Q).

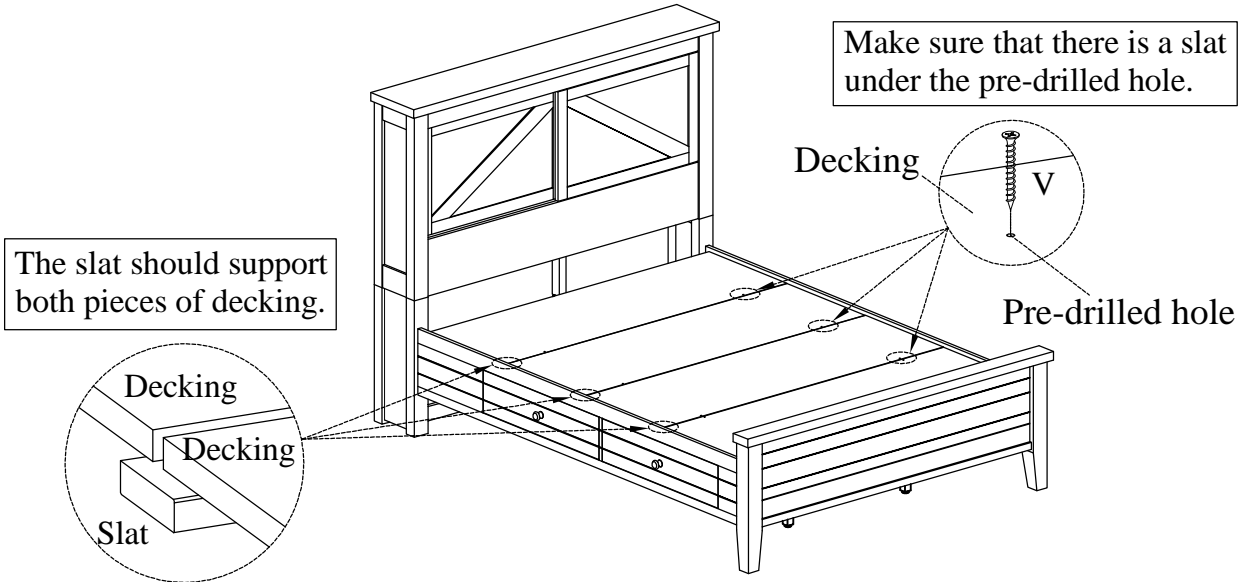




ITEM NO: I629-473BC-DEN/PRW
 I629-413-DEN/PRW
 I629-402-DEN/PRW
 I629-402S-DEN/PRW

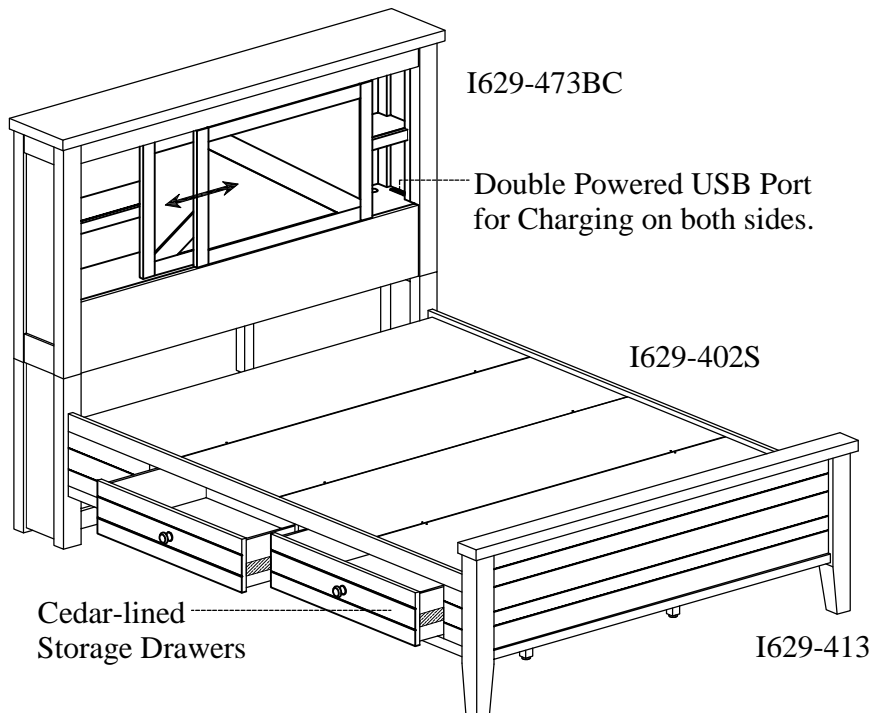
Queen Bookcase HB
 Queen FB
 Queen Rails
 Queen Side Storage Rails

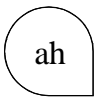
STEP 9: Put the decking over the slats, secure decking to the slats with wood screws (V) through the pre-drilled holes in the decking as shown below.



FUNCTIONALITY INSTRUCTION

OPTION 2:





ITEM NO: I629-474BC-DEN/PRW
 I629-417-DEN/PRW
 I629-406-DEN/PRW
 I629-406S-DEN/PRW
 I629-410-DEN/PRW
 I629-410S-EXT-DEN/PRW

King Bookcase HB
 King FB
 King Rails
 King Side Storage Rails
 Cal King Rails
 Cal King Side Stg Ext Kit (for I629-406S)

Thank you for purchasing this quality product. Be sure to check all packing material carefully for small parts that may come loose inside the carton during shipment.



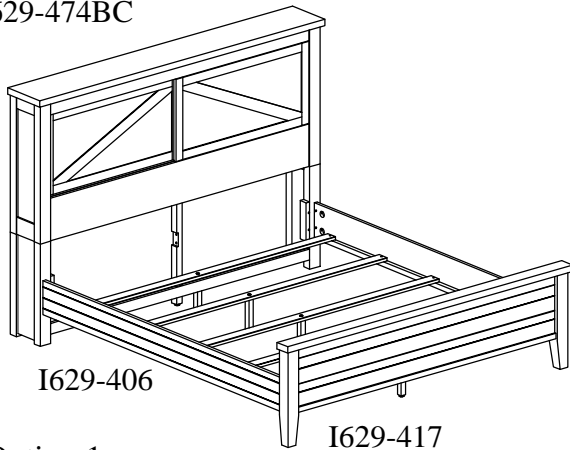
UNIT SHOULD BE INSTALLED BY 2 OR MORE PERSONS.

All Beds need to be set up in the exact final location so that after full assembly it will not need to be moved. Moving the bed will cause the support legs to move out of perpendicular (90 degree), weaken the support system, and may allow the bed to collapse.

TOOLS REQUIRED (NOT PROVIDED)

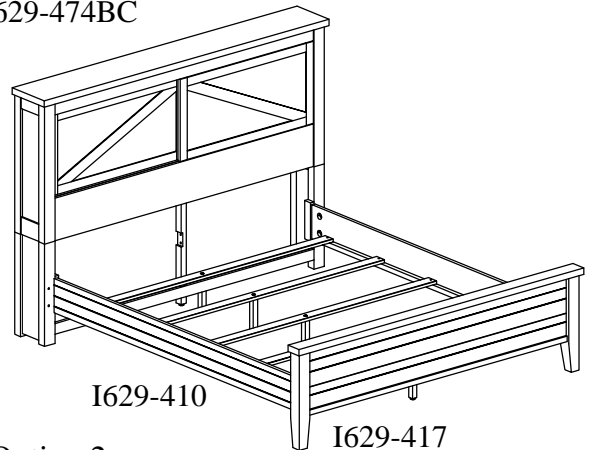
PHILLIPS SCREWDRIVER 

I629-474BC



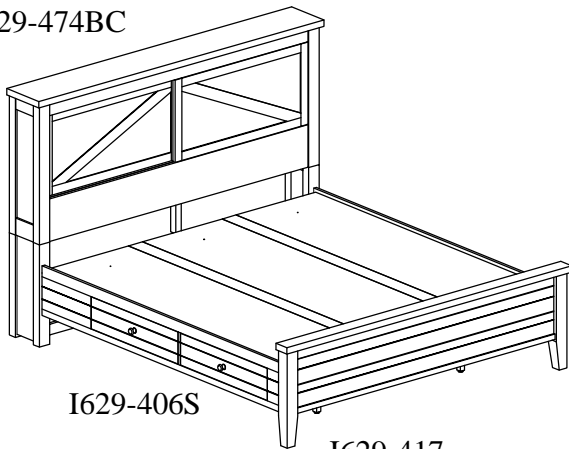
Option 1

I629-474BC



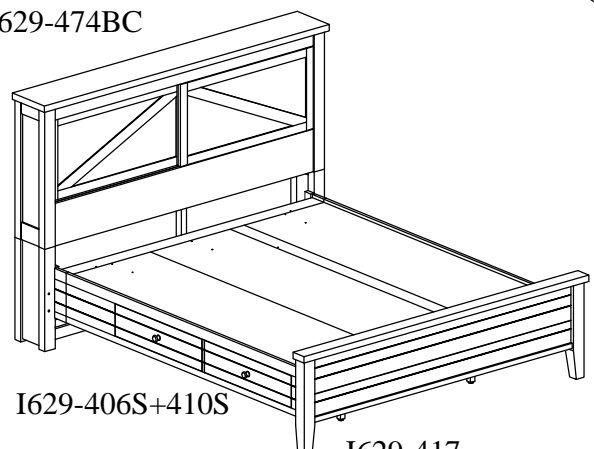
Option 2

I629-474BC



Option 3

I629-474BC



Option 4

BEFORE USING THIS PRODUCT PLEASE READ, UNDERSTAND, AND FOLLOW THESE INSTRUCTIONS. Save these instructions for future reference.

FOR INDOOR USE ONLY



ITEM NO: I629-474BC-DEN/PRW

I629-417-DEN/PRW

I629-406-DEN/PRW

I629-406S-DEN/PRW

I629-410-DEN/PRW

I629-410S-EXT-DEN/PRW

King Bookcase HB

King FB

King Rails

King Side Storage Rails

Cal King Rails

Cal King Side Stg Ext Kit (for I629-406S)

HARDWARE LIST: I629-474BC

No.	Description	Sketch	Quantity
A	Bolt Ø5/16" x 1-1/2"(18)		8 PCS
B	Bolt Ø5/16" x 2"(18)		6 PCS
C	Lock Washer Ø5/16"		14 PCS
D	Flat Washer Ø5/16" x 3/4"		14 PCS
E	Allen Wrench 4mm		1 PC

HARDWARE LIST: I629-406/410

No.	Description	Sketch	Quantity
F	Hanger Bolt Ø5/16"x3-1/8"(18)		8 PCS
G	Half Moon Washer Ø5/16"		8 PCS
H	Lock Washer Ø5/16"		8 PCS
I	Hex Nut Ø5/16"		8 PCS
J	Hex Wrench 12mm		1 PC
K	Wood Screw #4 x 1-1/4"		10 PCS
L	Wood Cap (only for 410)		8 PCS

HARDWARE LIST: I629-406S

No.	Description	Sketch	Quantity
M	Hanger Bolt Ø5/16"x3-1/8"(18)		8 PCS
N	Half Moon Washer Ø5/16"		8 PCS
O	Lock Washer Ø5/16"		8 PCS
P	Hex Nut Ø5/16"		8 PCS
Q	Hex Wrench 12mm		1 PC
R	Wood Screw #4 x 1-1/4"		10 PCS
S	Bolt Ø1/4" x 1-1/4"(20)		10 PCS
T	Lock Washer Ø1/4"		10 PCS
U	Flat Washer Ø1/4" x 3/4"		10 PCS
V	Allen Wrench 4mm		1 PC
W	Wood Screw #4 x 1"		10 PCS

HARDWARE LIST: I629-410S-EXT

No.	Description	Sketch	Quantity
X	Bolt Ø1/4" x 1-1/4"(20)		8 PCS
Y	Lock Washer Ø1/4"		8 PCS
Z	Flat Washer Ø1/4" x 3/4"		8 PCS
AA	Allen Wrench 4mm		1 PC
AB	Wood Cap		8 PCS

COMPONENTS LIST: I629-474BC

No.	Description	Sketch	Quantity
1	Headboard		1 PC
2	Left Side Assembly		1 PC
3	Right Side Assembly		1 PC
4	Wood Stretcher		1 PC
5	Center Support Leg		1 PC

COMPONENTS LIST: I629-406

No.	Description	Sketch	Quantity
1	Bed Rail		2 PCS
2	Slat		5 PCS
3	Support Leg		5 PCS

COMPONENTS LIST: I629-410

No.	Description	Sketch	Quantity
1	Bed rails		2 PCS
2	Slats		5 PCS
3	Support Leg		5 PCS

COMPONENTS LIST: I629-406S

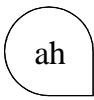
No.	Description	Sketch	Quantity
1	Left Side Storage Rail		1 PC
2	Right Side Storage Rail		1 PC
3	Slat		5 PCS
4	Center Rail (Short)		1 PC
5	Support Leg (for center rail)		3 PCS
6	Decking		3 PCS
7	Support Leg		4 PCS
8	Filler		2 PCS

COMPONENTS LIST: I629-410S-EXT

No.	Description	Sketch	Quantity
1	Left Side Stg Ext Kit		1 PC
2	Right Side Stg Ext Kit		1 PC
3	Slat		5 PCS
4	Center Rail (Long)		1 PC

COMPONENTS LIST: I629-417

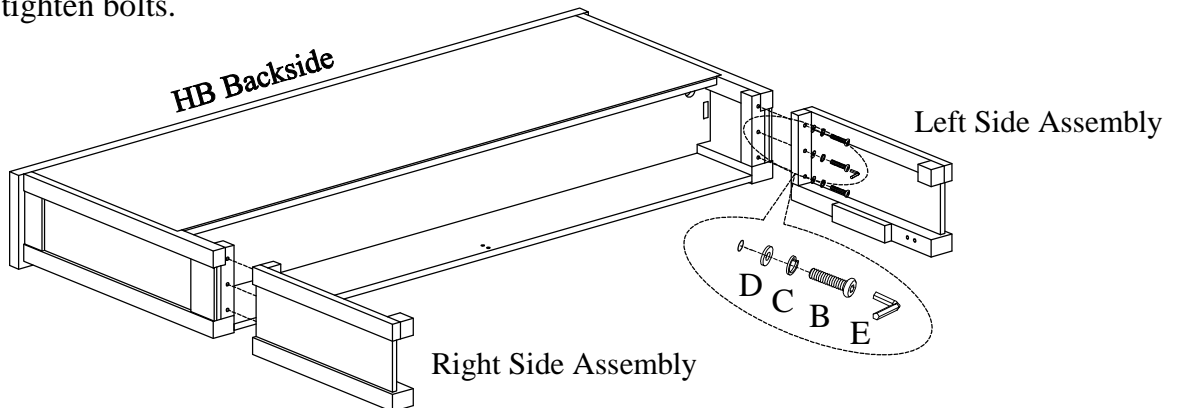
No.	Description	Sketch	Quantity
1	Footboard		1 PC



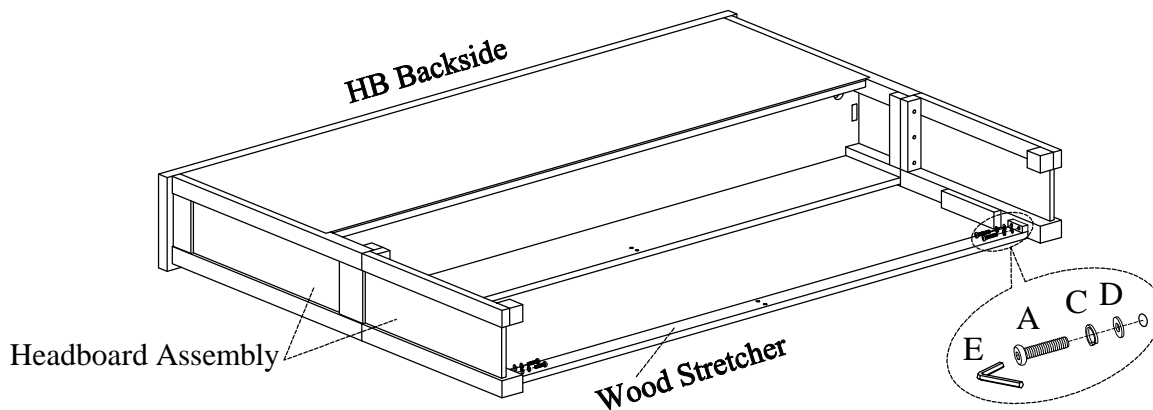
ITEM NO: I629-474BC-DEN/PRW
 I629-417-DEN/PRW
 I629-406-DEN/PRW
 I629-406S-DEN/PRW
 I629-410-DEN/PRW
 I629-410S-EXT-DEN/PRW

King Bookcase HB
 King FB
 King Rails
 King Side Storage Rails
 Cal King Rails
 Cal King Side Stg Ext Kit (for I629-406S)

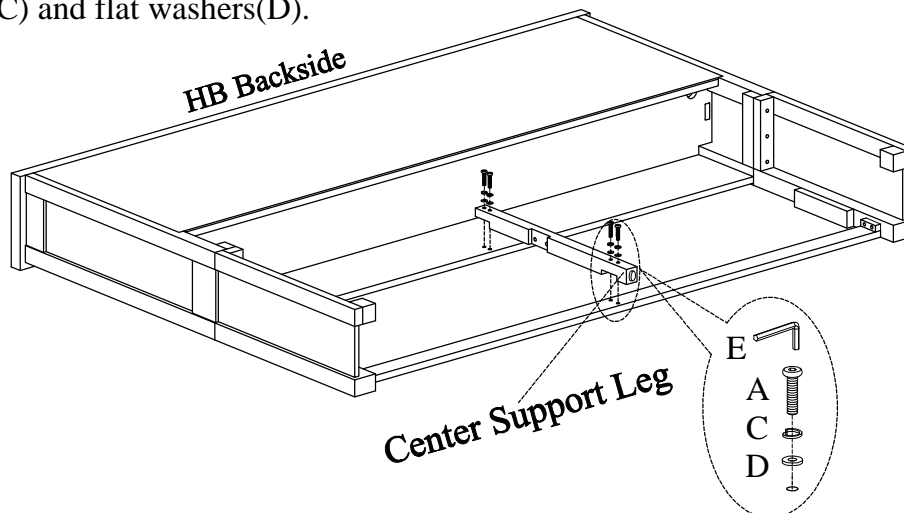
STEP 1: Lay the headboard face down on a soft surface. Attach the left side assembly and right side assembly to headboard by using 6 bolts(B), lock washers(C) and flat washers(D). Do not completely tighten bolts.



STEP 2: Attach the wood stretcher to the headboard assembly by using 4 bolts(A), lock washers(C) and flat washers(D). Completely tighten all bolts.



STEP 3: Attach the center support leg to headboard and wood stretcher by using 4 bolts(A), lock washers(C) and flat washers(D).





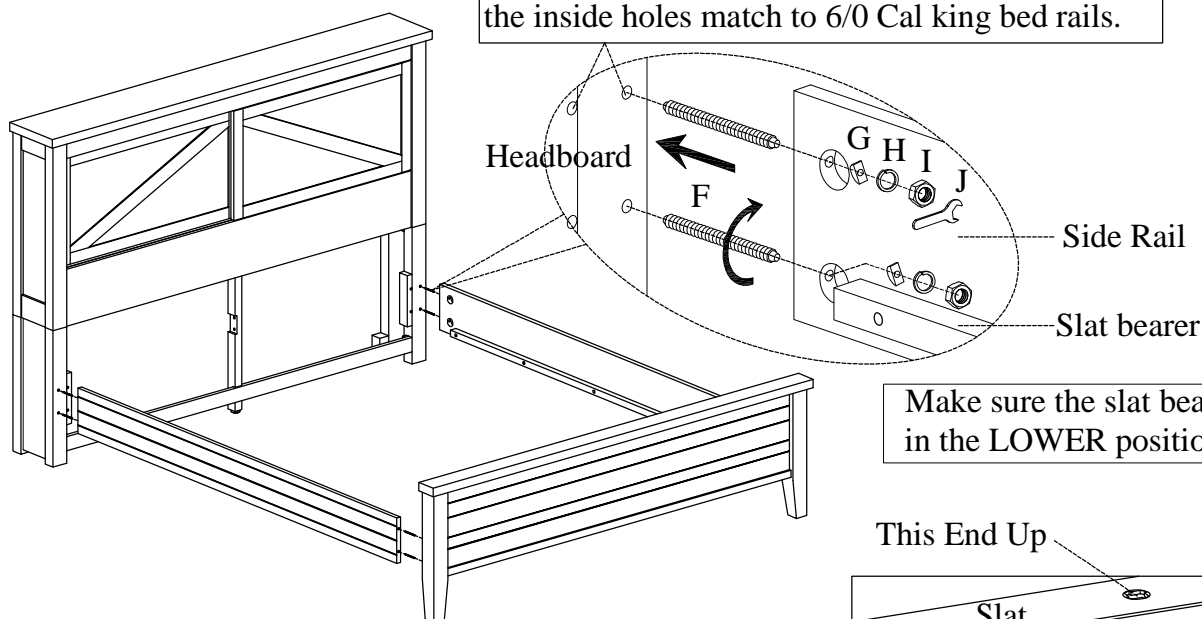
ITEM NO: I629-474BC-DEN/PRW
 I629-417-DEN/PRW
 I629-406-DEN/PRW
 I629-406S-DEN/PRW
 I629-410-DEN/PRW
 I629-410S-EXT-DEN/PRW

King Bookcase HB
 King FB
 King Rails
 King Side Storage Rails
 Cal King Rails
 Cal King Side Stg Ext Kit (for I629-406S)

FOR OPTION 1 & 2:

STEP 4: Screw the bolts(F) into HB & FB. Make sure the slat bearer is in the lower position. Align the bolts with the holes in the end of side rails and attach the side rails to HB & FB using half moon Washers(G), Lock Washers(H) and hex nuts (I). Then use a hex wrench to tighten all the nuts.

The outside holes match to 6/6 standard king rails, the inside holes match to 6/0 Cal king bed rails.

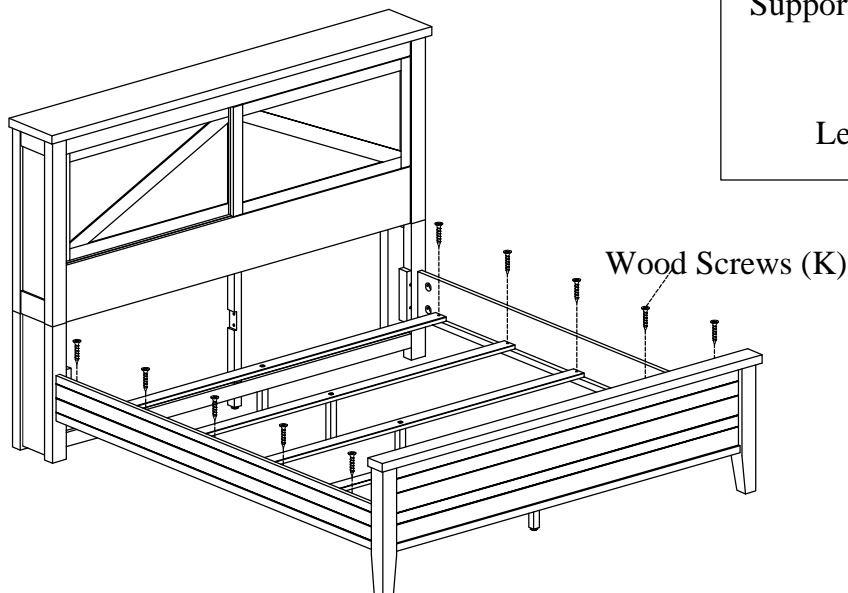
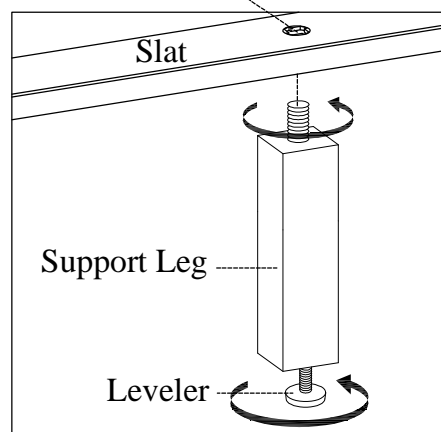


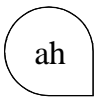
Make sure the slat bearer is in the LOWER position.

STEP 5: Attach the support legs with leveler to the slats. Adjust the levelers on bottom of support legs when necessary.

STEP 6: Arrange the slats on the slat bearers equally and attach to the slat bearers with wood screws (K).

This End Up



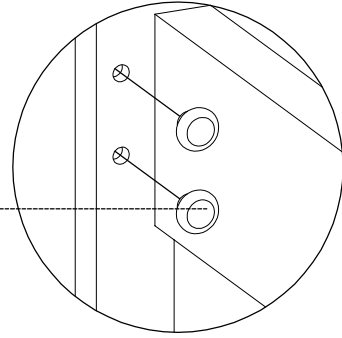


ITEM NO: I629-474BC-DEN/PRW
 I629-417-DEN/PRW
 I629-406-DEN/PRW
 I629-406S-DEN/PRW
 I629-410-DEN/PRW
 I629-410S-EXT-DEN/PRW

King Bookcase HB
 King FB
 King Rails
 King Side Storage Rails
 Cal King Rails
 Cal King Side Stg Ext Kit (for I629-406S)

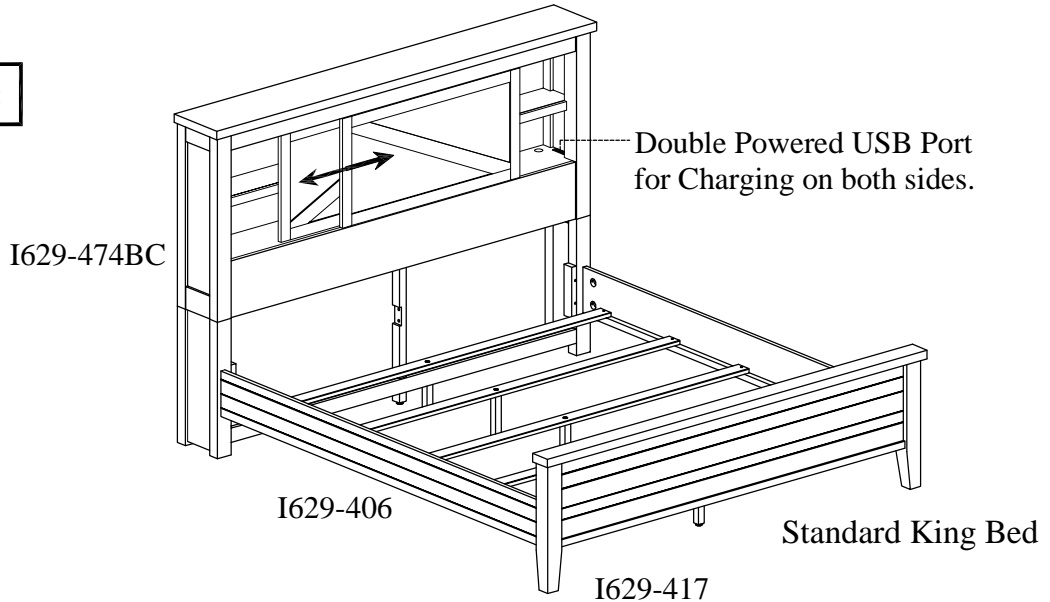
STEP 7: For Cal King bed, insert wood caps into the holes on headboard and footboard. For regular King bed, skip this step.

Wood Cap (L)

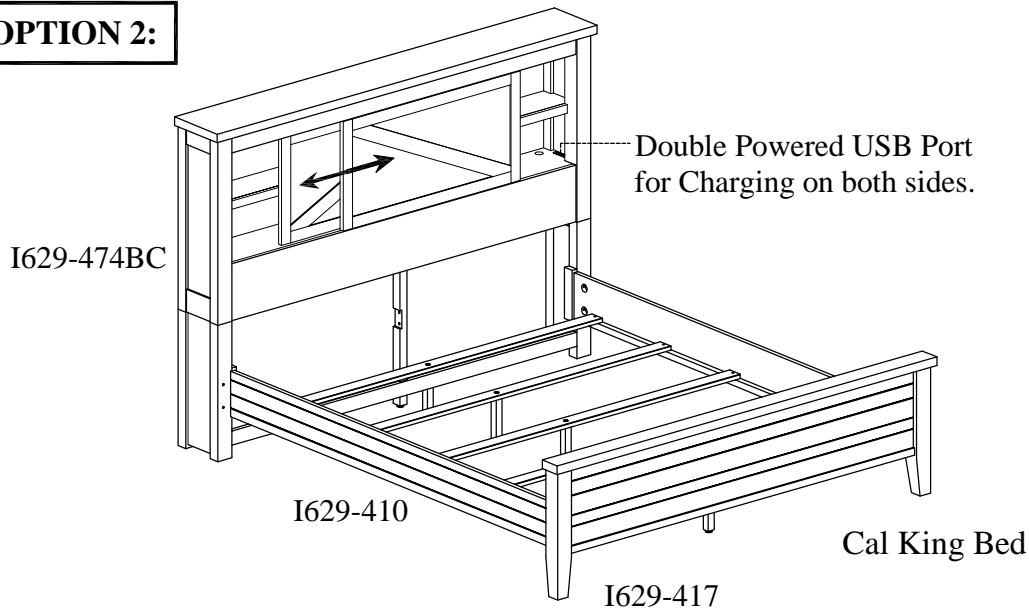


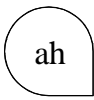
FUNCTIONALITY INSTRUCTION

OPTION 1:



OPTION 2:



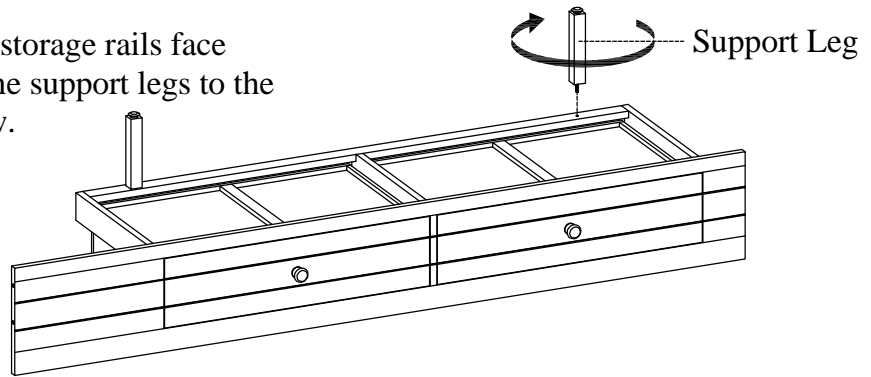


ITEM NO: I629-474BC-DEN/PRW
 I629-417-DEN/PRW
 I629-406-DEN/PRW
 I629-406S-DEN/PRW
 I629-410-DEN/PRW
 I629-410S-EXT-DEN/PRW

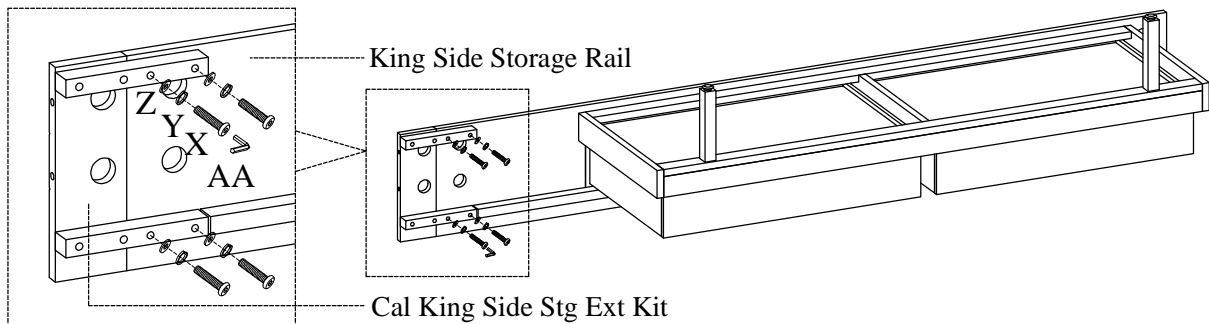
King Bookcase HB
 King FB
 King Rails
 King Side Storage Rails
 Cal King Rails
 Cal King Side Stg Ext Kit (for I629-406S)

FOR OPTION 3 & 4:

STEP 4-1: Put the left/right side storage rails face down on a soft surface. Attach the support legs to the side storage rails as shown below.

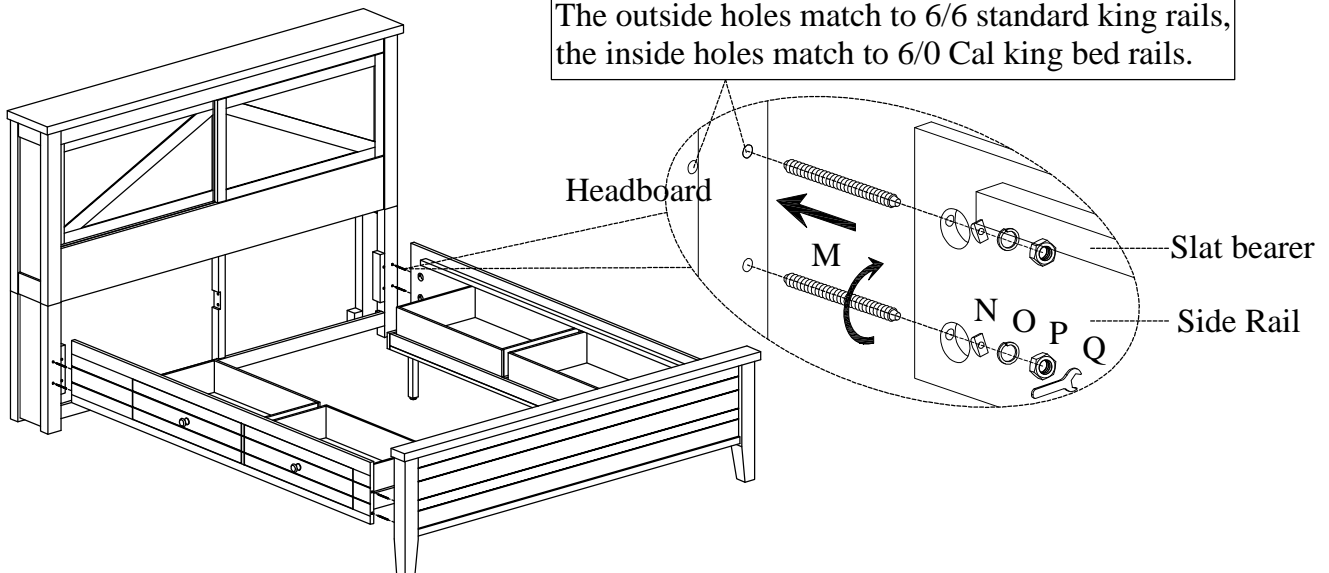


STEP 4-2: For Cal King bed, attach the cal king side stg ext kits to king side storage rails where the end is far to the storage box using 8 bolts(X), lock washers(Y) and flat washers(Z). Tighten all the bolts. For regular King bed, skip this step.



STEP 5: Screw the bolts(M) into HB & FB. Align the bolts with the holes in the end of side storage rails and attach the left/right side storage rail to HB & FB using half moon Washers(N), Lock Washers(O) and hex nuts (P) as shown below. Then use a hex wrench to tighten all the nuts.

The outside holes match to 6/6 standard king rails, the inside holes match to 6/0 Cal king bed rails.





ITEM NO: I629-474BC-DEN/PRW

I629-417-DEN/PRW

I629-406-DEN/PRW

I629-406S-DEN/PRW

I629-410-DEN/PRW

I629-410S-EXT-DEN/PRW

King Bookcase HB

King FB

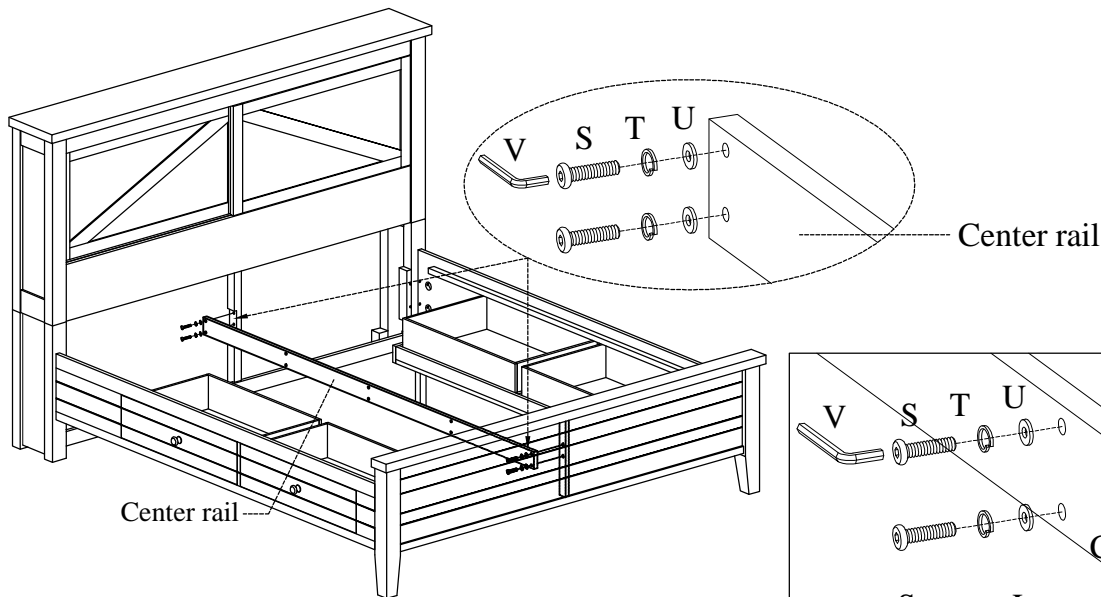
King Rails

King Side Storage Rails

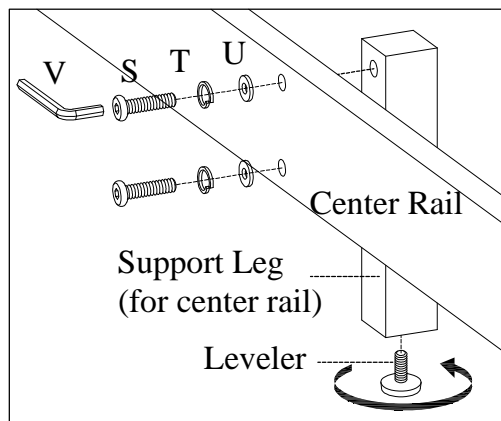
Cal King Rails

Cal King Side Stg Ext Kit (for I629-406S)

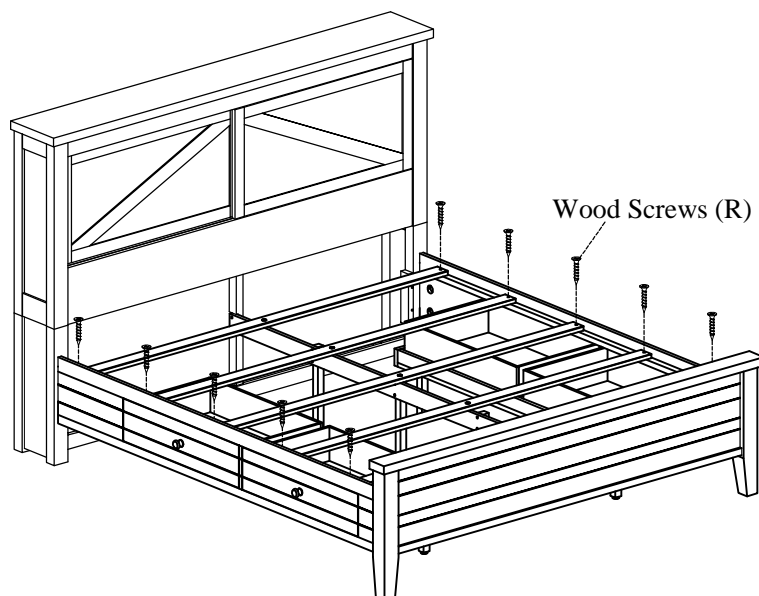
STEP 6: Attach the center rail to the footboard and center support leg of headboard using 4 bolts(S), lock washers(T) and flat washers(U).

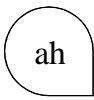


STEP 7: Attach 3 support legs (for center rail) to the center rail using 6 bolts(S), lock washers(T) and flat washers(U). Use the Allen Wrench(V) to tighten all of the bolts.



STEP 8: Arrange slats on the slat bearers and then lay the decking on top of the slats. Make sure the top and bottom slats are situated underneath the pre-drilled holes as shown below in STEP 10. Remove the decking and attach slats to the slat bearers with wood screws (R).

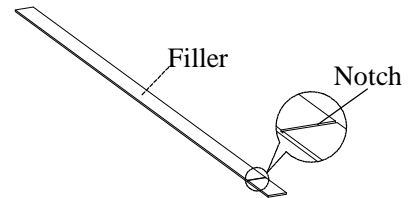




ITEM NO: I629-474BC-DEN/PRW
 I629-417-DEN/PRW
 I629-406-DEN/PRW
 I629-406S-DEN/PRW
 I629-410-DEN/PRW
 I629-410S-EXT-DEN/PRW

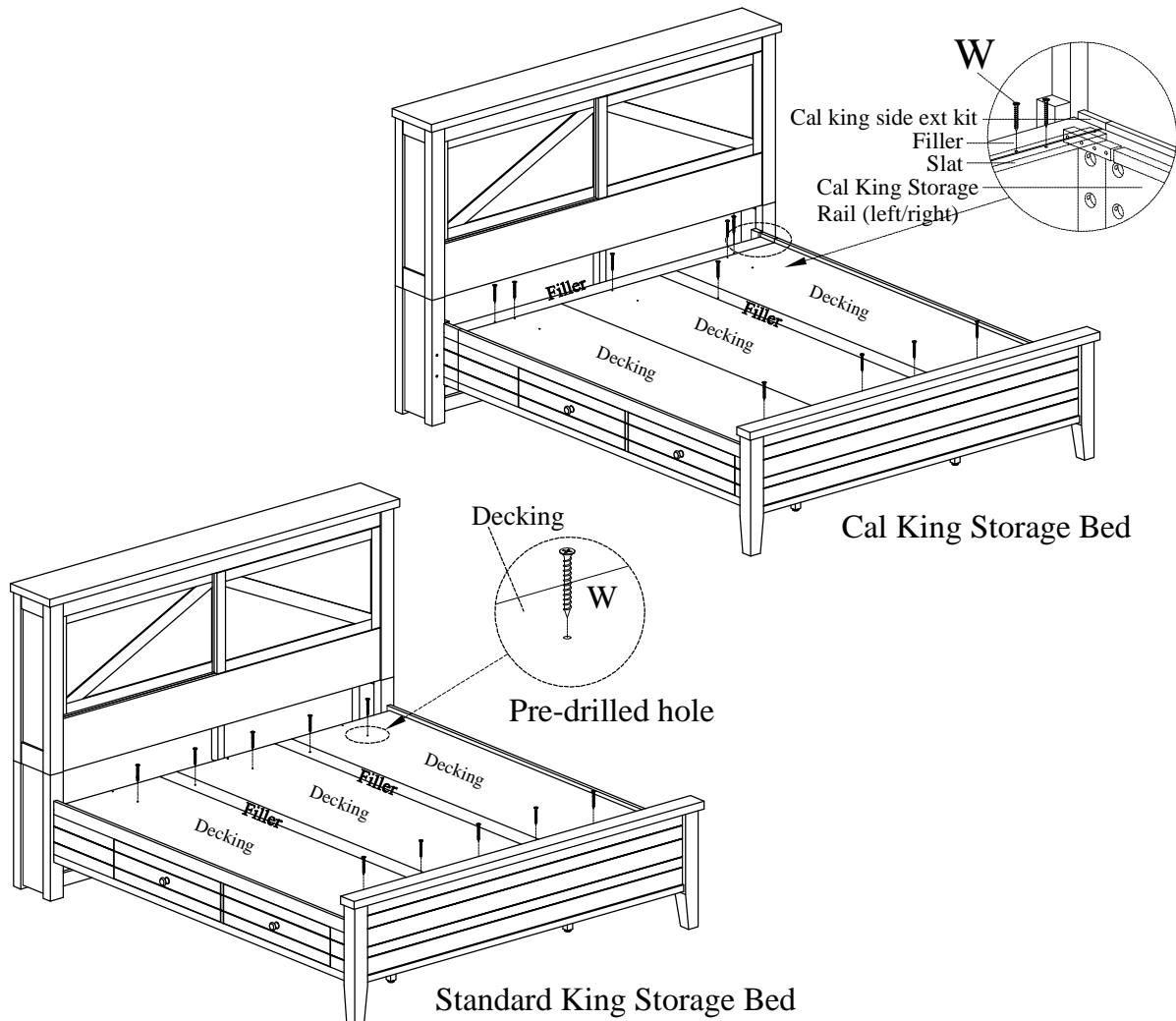
King Bookcase HB
 King FB
 King Rails
 King Side Storage Rails
 Cal King Rails
 Cal King Side Stg Ext Kit (for I629-406S)

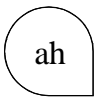
STEP 9: For the Cal King bed, both filler boards are notched. Using a utility knife only cut off the small piece at the notch on one of the filler boards. This cut off filler board will be placed at the head of the bed going from left to right as shown on the right side below in STEP 10-2. For the standard King bed, skip this step and arrange the decking boards as shown on the left side below STEP 10-2.



STEP 10-1: Put the decking over the slats, secure decking to the slats with wood screws (W) through the pre-drilled holes in the decking as shown below.

STEP 10-2: For the Cal King bed, secure filler to the cal king side ext kits(left & right) with wood screws(W) through the pre-drilled holes in the filler. Make sure the cal king side ext kits are connected with this cal king side storage rail (left/right).

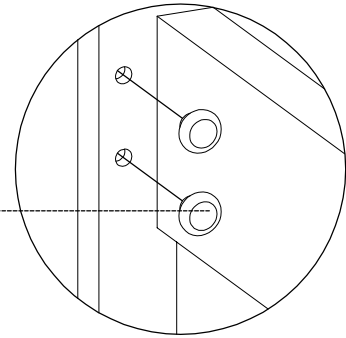




ITEM NO: I629-474BC-DEN/PRW
 I629-417-DEN/PRW
 I629-406-DEN/PRW
 I629-406S-DEN/PRW
 I629-410-DEN/PRW
 I629-410S-EXT-DEN/PRW

King Bookcase HB
 King FB
 King Rails
 King Side Storage Rails
 Cal King Rails
 Cal King Side Stg Ext Kit (for I629-406S)

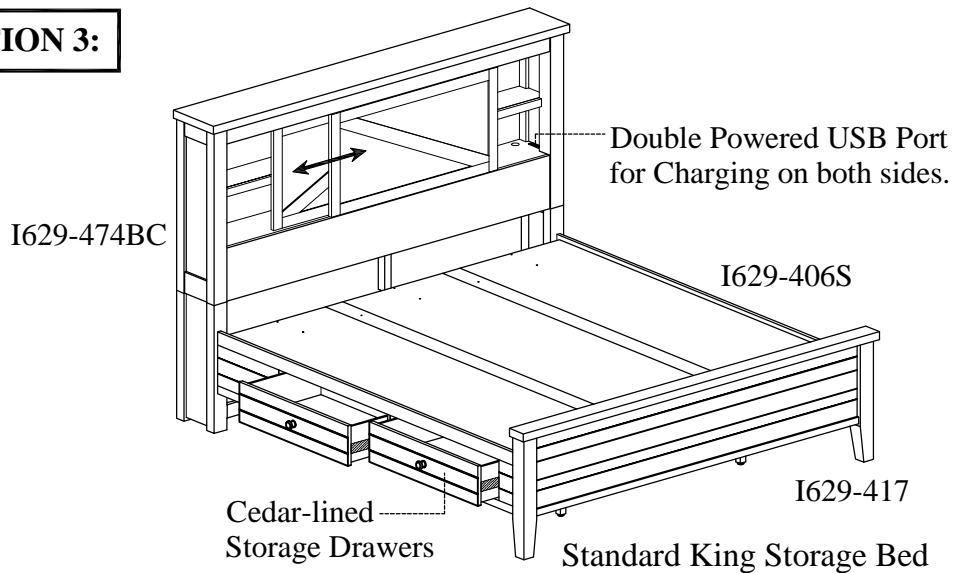
STEP 11: For Cal King bed, insert wood caps into the holes on headboard and footboard. For regular King bed, skip this step.



Wood Cap (AB)

FUNCTIONALITY INSTRUCTION

OPTION 3:



OPTION 4:

