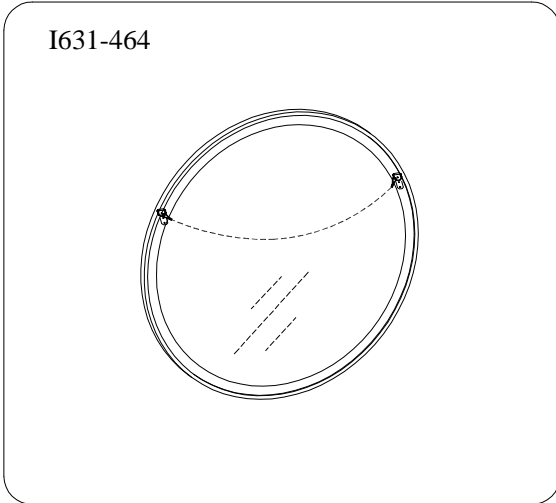




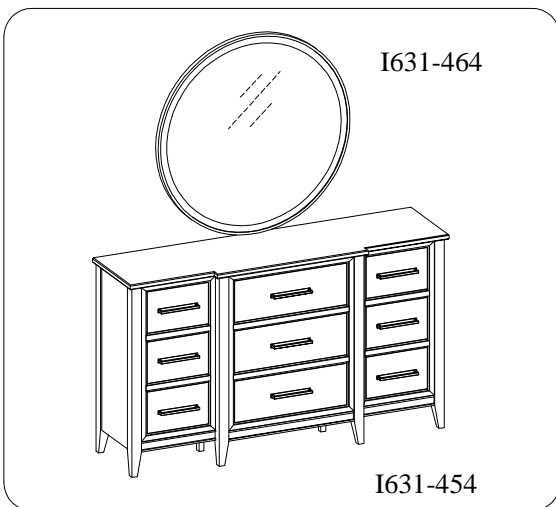
ITEM NO: I631-464 Round Mirror

Thank you for purchasing this quality product. Be sure to check all packing material carefully for small parts that may come loose inside the carton during shipment.

Option 1: Wall Mount



Option 2: Dresser Mount



| HARDWARE LIST: | | | |
|----------------|--------------------------|--------|----------|
| No. | Description | Sketch | Quantity |
| A | Bolt Ø1/4" x 1-1/2" | | 8 PCS |
| B | Lock Washer Ø1/4" | | 8 PCS |
| C | Flat Washer Ø1/4" x 3/4" | | 8 PCS |
| D | Allen Wrench M4 | | 1 PC |

| TOOLS REQUIRED (NOT PROVIDED) | |
|-------------------------------|--|
| PHILLIPS SCREWDRIVER | |

| COMPONENTS LIST: | | | |
|------------------|-------------|--------|----------|
| No. | Description | Sketch | Quantity |
| 1 | Mirror | | 1 PC |
| 2 | Wood Strip | | 2 PCS |

BEFORE USING THIS PRODUCT PLEASE READ, UNDERSTAND, AND FOLLOW THESE INSTRUCTIONS. Save these instructions for future reference.

FOR INDOOR USE ONLY

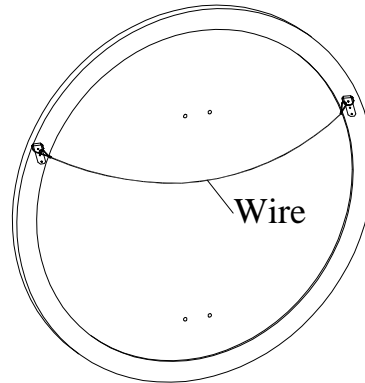


ITEM NO: I631-464 Round Mirror

FOR OPTION 1 (Wall Mount)

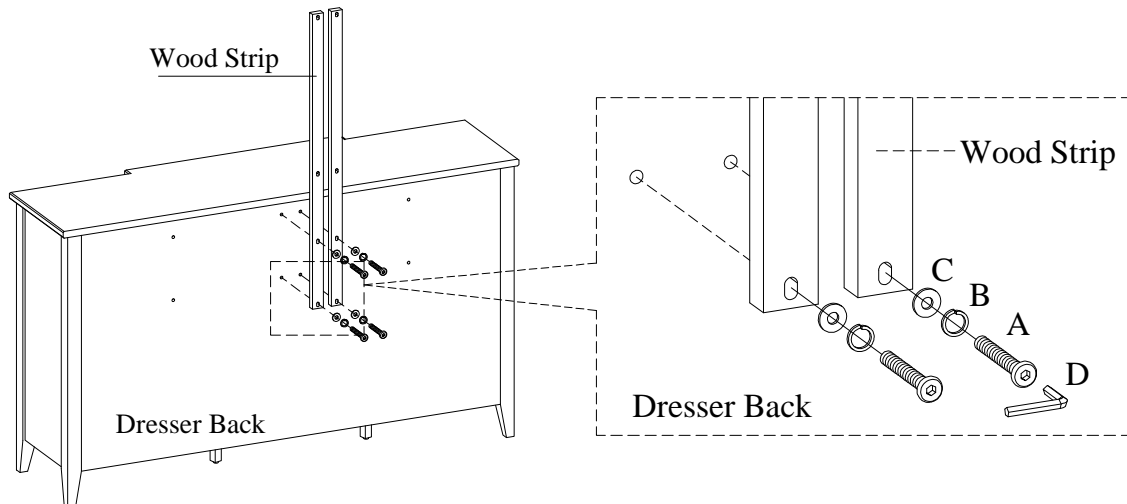
STEP 1: After attaching nail/hanger to wall, place wire over nail/hanger and slowly lower the mirror into place. Make sure the wire catches on the nail/hanger.

Note: Ensure the nail/hanger is in a wall stud or wall solid enough to support mirror.



FOR OPTION 2 (Dresser Mount)

STEP 1: Attach the wood strips to the dresser by using 4 bolts(A), lock washers(B), and flat washers(C) with an allen wrench(D). Do not tighten bolts completely.



STEP 2: Attach the wood strips to the mirror by using 4 bolts(A), lock washers(B), and flat washers(C). Tighten all bolts on dresser and mirror with an allen wrench(D).

