

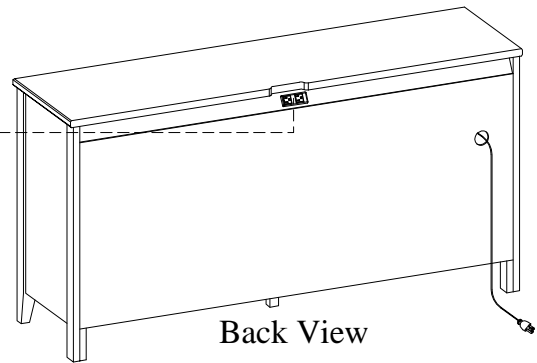
ITEM NO: I631-6808 Sideboard

Thank you for purchasing this quality product. Be sure to check all packing material carefully for small parts that may come loose inside the carton during shipment.



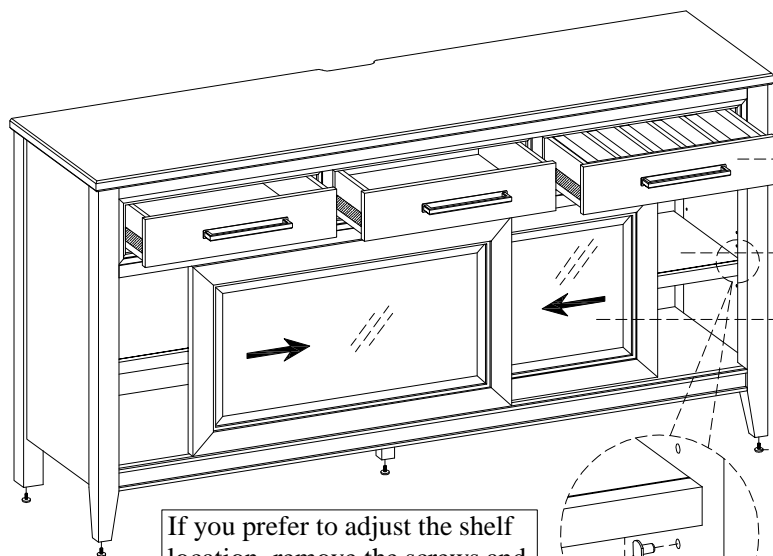
TOOLS REQUIRED (NOT PROVIDED)
PHILLIPS SCREWDRIVER

2 AC outlet Power Pack



Back View

FUNCTIONALITY INSTRUCTION



Felt-lined Top Drawers with Removable Silverware Tray

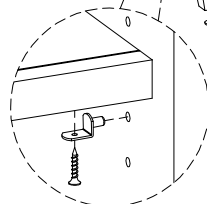
Adjustable Wood Shelves

Sliding Door w/Glass Insert

Leveler on Legs & Support Leg

Adjust the leveler when necessary

If you prefer to adjust the shelf location, remove the screws and move shelf brackets to the desired location. Then secure the brackets to shelf with screws.

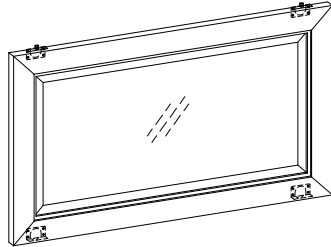


BEFORE USING THIS PRODUCT PLEASE READ, UNDERSTAND, AND FOLLOW THESE INSTRUCTIONS. Save these instructions for future reference.

FOR INDOOR USE ONLY



ITEM NO: I631-6808 Sideboard



Slide Door

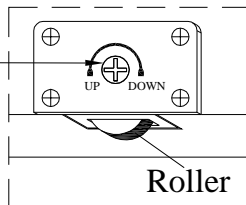
INSTALL THE SLIDE DOORS:

Push the guide pins down so they are inside the door. Place the roller on the metal track so the door rolls smoothly. Place the top of the door underneath the track so when you push the release button the pins go up in to the track as shown below.

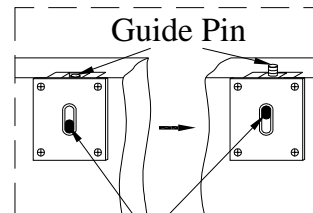
REMOVE THE SLIDE DOORS(if necessary):

Press and lower the release buttons on the back of the door to lower the guide pins as shown below. Then remove the door.

Adjust here to adjust the roller up or down



Roller



Release Button