



ITEM NO: I631-9150 Sofa Console Table

Thank you for purchasing this quality product. Be sure to check all packing material carefully for small parts that may come loose inside the carton during shipment.



TOOLS REQUIRED (NOT PROVIDED)

PHILLIPS SCREWDRIVER

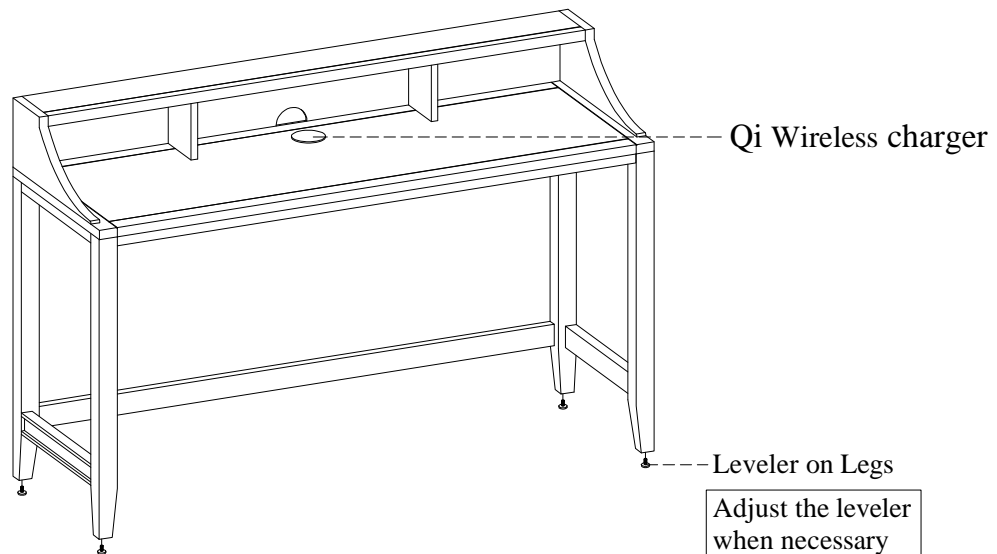
HARDWARE LIST:

No.	Description	Sketch	Quantity
A	Hex Bolt Ø1/4" x 1-1/2"		4 PCS
B	Lock Washer Ø1/4"		4 PCS
C	Flat Washer Ø1/4" x 3/4"		4 PCS
D	Allen Wrench 4mm		1 PC
E	Hanger Bolt Ø5/16"x4-1/2"		4 PCS
F	Half Moon Washer 5/16"		4 PCS
G	Hex Nut Ø5/16"		4 PCS
H	Hex Wrench 12mm		1 PC
I	Wood Screw #4 x 2"		2 PCS

COMPONENTS LIST:

No.	Description	Sketch	Quantity
1	Table Top		1 PC
2	Side Frame Left		1 PC
3	Side Frame Right		1 PC
4	Back Stretcher		1 PC

FUNCTIONALITY INSTRUCTION



BEFORE USING THIS PRODUCT PLEASE READ, UNDERSTAND, AND FOLLOW THESE INSTRUCTIONS.

Save these instructions for future reference.

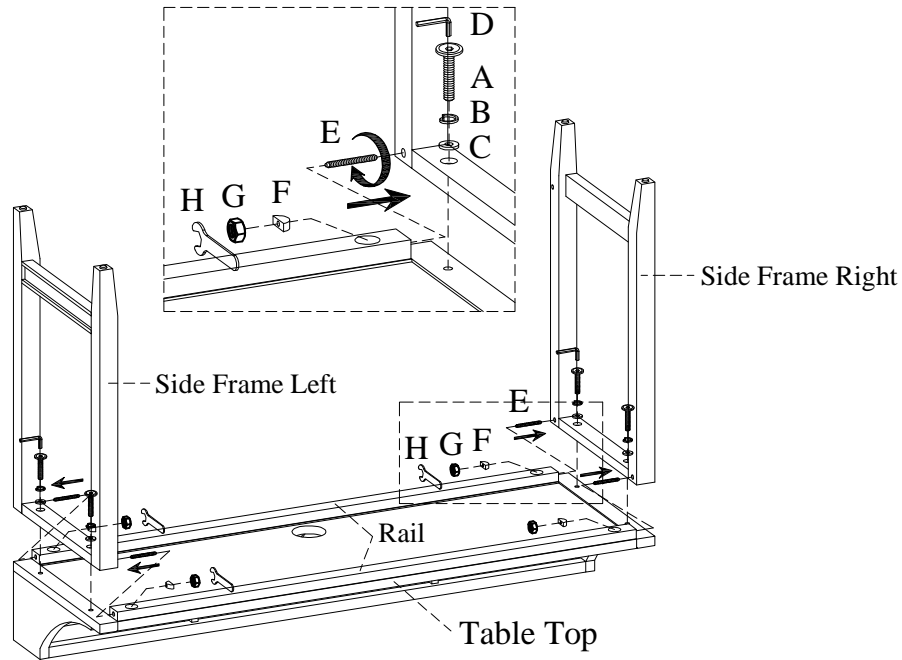
FOR INDOOR USE ONLY



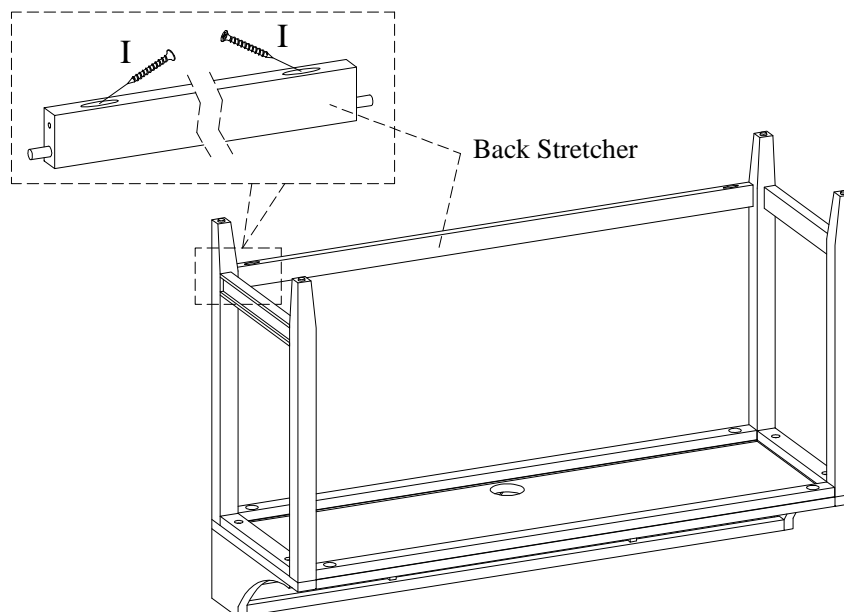
ITEM NO: I631-9150 Sofa Console Table

STEP 1: Lay the table top face down on a soft surface.

STEP 2: Screw the bolts(E) into side frame left and side frame right as shown below. Align the bolts with the holes in the end of rails under the table top and attach the side frames to table top by using 4 half moon washers(F), nuts(G), and 4 bolts(A), lock washers(B), flat washers(C). Do not completely tighten nuts and bolts.



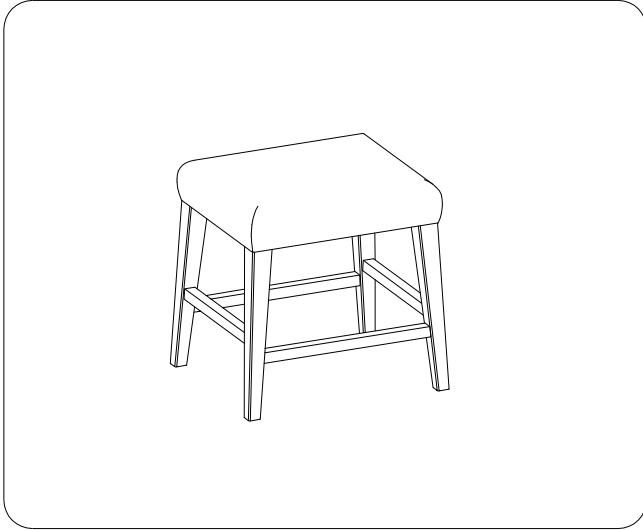
STEP 3: Attach the back stretcher to side frames with wood screws(I). Completely tighten all nuts and bolts. Turn the assembled table to the upright position.





ITEM NO: I631-9200 Stool

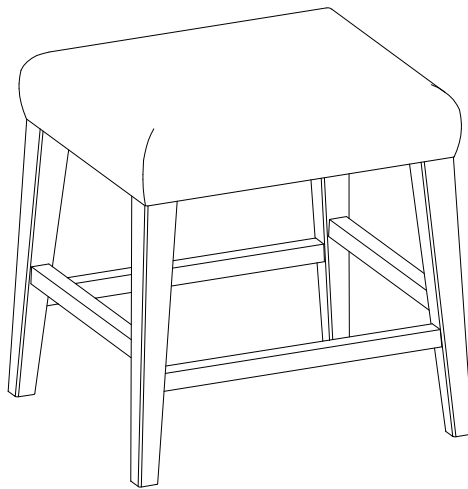
Thank you for purchasing this quality product. Be sure to check all packing material carefully for small parts that may come loose inside the carton during shipment.



TOOLS REQUIRED (NOT PROVIDED)

PHILLIPS SCREWDRIVER

FUNCTIONALITY INSTRUCTION



BEFORE USING THIS PRODUCT PLEASE READ, UNDERSTAND, AND FOLLOW THESE INSTRUCTIONS.

Save these instructions for future reference.

FOR INDOOR USE ONLY