



ITEM NO: ICB-462 Double Dresser Mirror

Thank you for purchasing this quality product. Be sure to check all packing material carefully for small parts that may come loose inside the carton during shipment.

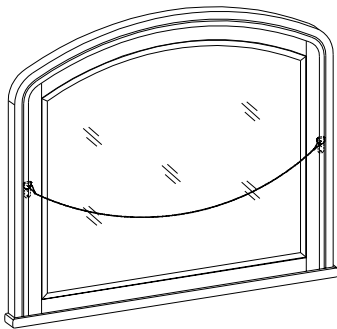
WARNING! Before using this product, please read, understand, and follow these instructions. Failure to follow each of these assembly instructions precisely may result in damage to the product and / or injury to the consumer.



UNIT SHOULD BE INSTALLED BY 2 OR MORE PERSONS.

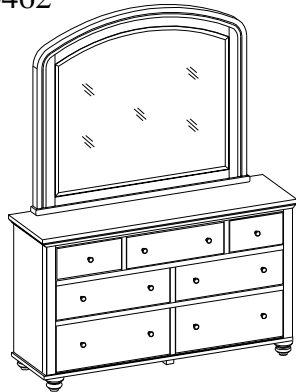
Option 1: Wall Mount

ICB-462



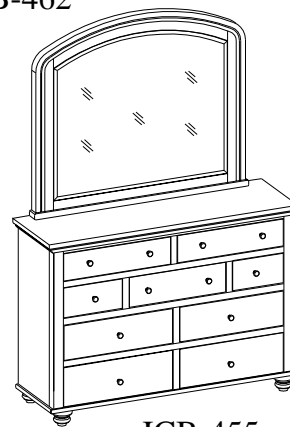
Option 2: Dresser/Chesser Mount

ICB-462



ICB-454

ICB-462



ICB-455

HARDWARE LIST:

No.	Description	Sketch	Quantity
A	Bolt Ø1/4"*1-1/4"		8 PCS
B	Lock Washer Ø1/4"		8 PCS
C	Flat Washer Ø1/4" *3/4"		8 PCS
D	Allen Wrench 4mm		1 PC

TOOLS REQUIRED (NOT PROVIDED)

PHILLIPS SCREWDRIVER

COMPONENTS LIST:

No.	Description	Sketch	Quantity
1	Mirror		1 PC
2	Wood Strip		2 PCS

FOR INDOOR USE ONLY

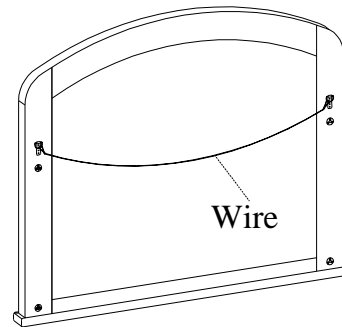


ITEM NO: ICB-462 Double Dresser Mirror

FOR OPTION 1 (Wall Mount)

STEP 1: After attaching nail/hanger to wall, place wire over nail/hanger and slowly lower the mirror into place. Make sure the wire catches on the nail/hanger.

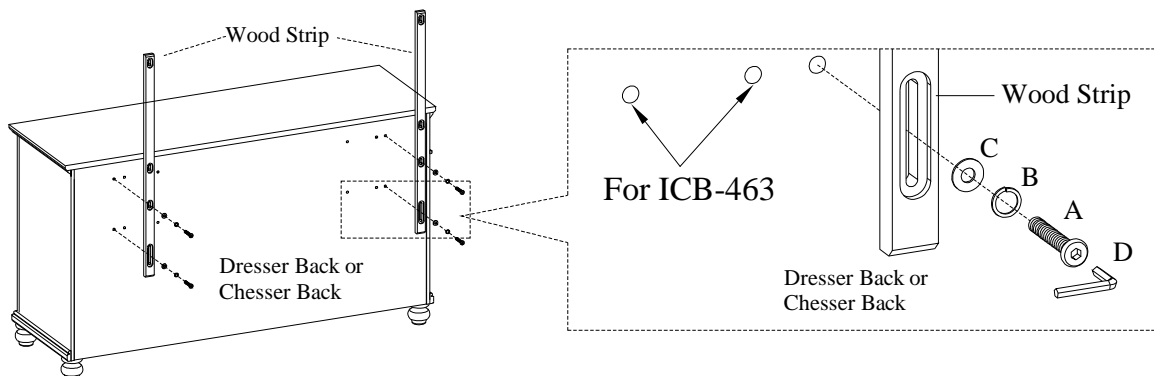
Note: Ensure the nail/hanger is in a wall stud or wall solid enough to support mirror.



FOR OPTION 2 (Dresser/Chesser Mount)

STEP 1: Attach the wood strips to dresser or chesser the by using 4 bolts(A), lock washers(B), and flat washers(C). Do not tighten bolts completely.

Note: Use inside threaded inserts for item ICB-463 and outside threaded inserts for item ICB-462.



STEP 2: Attach the wood strips to the mirror by using 4 bolts(A), lock washers(B), and flat washers(C). Tighten all bolts on dresser or chesser and mirror with Allen wrench.

