



ITEM NO: ICB-400-KD Queen Sleigh Bed HB
 ICB-492-KD Queen Framed Panel HB
 ICB-402L Queen Side Rails
 ICB-403D Queen LP FB w/Drawers

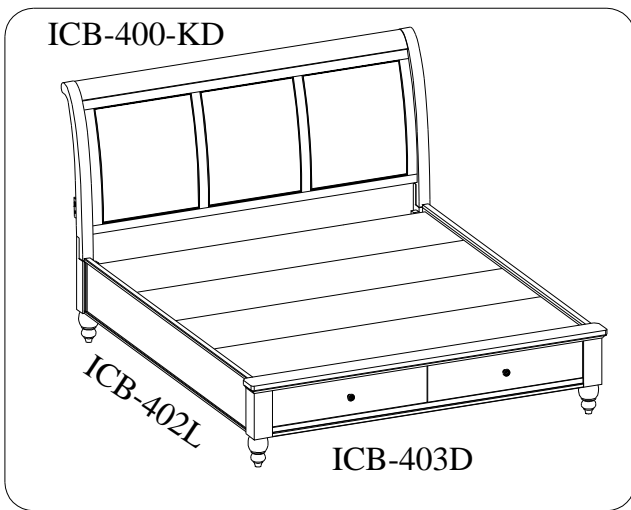
Thank you for purchasing this quality product. Be sure to check all packing material carefully for small parts that may come loose inside the carton during shipment.

WARNING! Before using this product, please read, understand, and follow these instructions. Failure to follow each of these assembly instructions precisely may result in damage to the product and / or injury to the consumer.



UNIT SHOULD BE INSTALLED BY 2 OR MORE PERSONS.

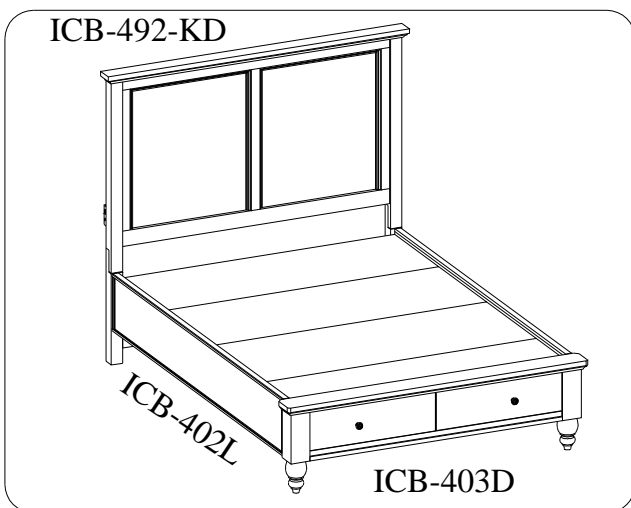
OPTION 1: Queen Storage Sleigh Bed



TOOLS REQUIRED (NOT PROVIDED)
PHILLIPS SCREWDRIVER
UTILITY KNIFE (FOR CAL KING)

All Beds need to be set up in the exact final location so that after full assembly it will not need to be moved. Moving the bed will cause the support legs to move out of perpendicular (90 degree), weaken the support system, and may allow the bed to collapse.

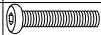



OPTION 2: Queen Storage Panel Bed


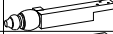
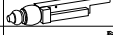



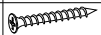

FOR INDOOR USE ONLY






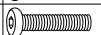


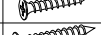

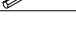
ITEM NO: ICB-400-KD Queen Sleigh Bed HB
 ICB-492-KD Queen Framed Panel HB
 ICB-402L Queen Side Rails
 ICB-403D Queen LP FB w/Drawers

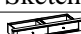

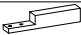



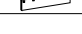
HARDWARE LIST: ICB-400-KD			
No.	Description	Sketch	Quantity
A	Bolt Ø5/16"*2-1/4"		8 PCS
B	Lock Washer Ø5/16"		8 PCS
C	Flat Washer Ø5/16"		8 PCS
D	Allen Wrench 5mm		1 PC

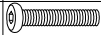



COMPONENTS LIST: ICB-400-KD			
No.	Description	Sketch	Quantity
1	Headboard		1 PC
2	Left Leg		1 PC
3	Right Leg		1 PC
4	Wood Stretcher		1 PC





HARDWARE LIST: ICB-402L			
No.	Description	Sketch	Quantity
E	Wood Screw #8*1-1/4"		8 PCS
F	Allen Wrench 4mm		1 PC

COMPONENTS LIST: ICB-402L			
No.	Description	Sketch	Quantity
1	Bed rails		2 PCS
2	Slats		4 PCS

HARDWARE LIST: ICB-403D			
No.	Description	Sketch	Quantity
G	Bolt Ø1/4"*1-3/4"		6 PCS
H	Bolt Ø1/4"*1-1/4"		4 PCS
I	Lock Washer Ø1/4"		10 PCS
J	Flat washer Ø1/4"		10 PCS
K	Wood Screw #8*1"		8 PCS
L	Wood Screw #8*1-1/2"		5 PCS
M	Allen Wrench 4mm		1 PC

COMPONENTS LIST: ICB-403D			
No.	Description	Sketch	Quantity
1	Footboard		1 PC
2	Support Leg (for center rail)		1 PC
3	Support Leg (for pedestal)		2 PCS
4	Decking		4 PCS
5	Center Rail		1 PC
6	Bun Foot		2 PCS
7	Support Panel		2 PCS

HARDWARE LIST: ICB-492-KD			
No.	Description	Sketch	Quantity
A	Bolt Ø5/16"*1-3/4"		8 PCS
B	Lock Washer Ø5/16"		8 PCS
C	Flat Washer Ø5/16"		8 PCS
D	Allen Wrench 5mm		1 PC

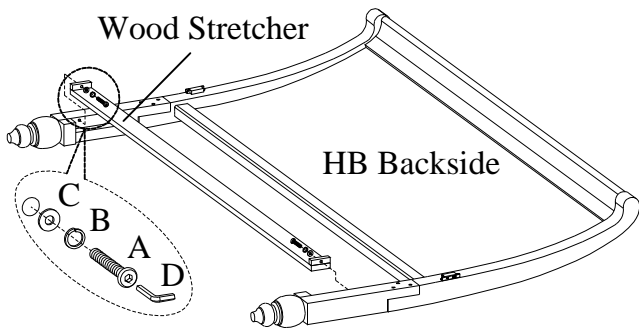
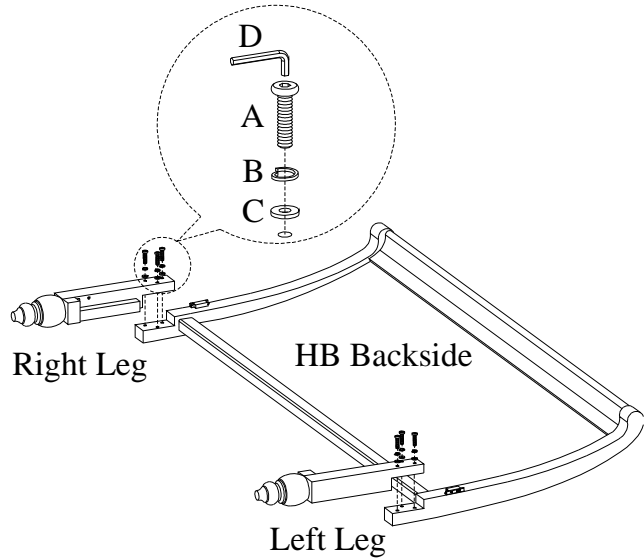
COMPONENTS LIST: ICB-492-KD			
No.	Description	Sketch	Quantity
1	Headboard		1 PC
2	Left Leg		1 PC
3	Right Leg		1 PC
4	Wood Stretcher		1 PC



ITEM NO: ICB-400-KD Queen Sleigh Bed HB
 ICB-492-KD Queen Framed Panel HB
 ICB-402L Queen Side Rails
 ICB-403D Queen LP FB w/Drawers

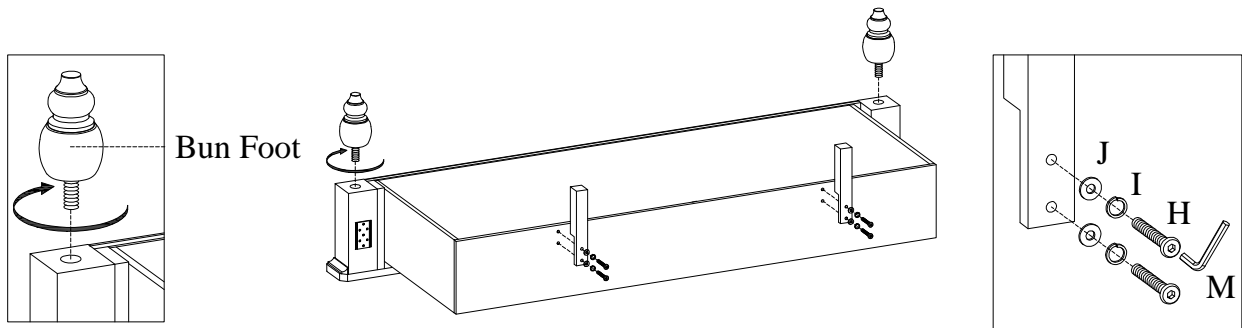
OPTION 1: Queen Storage Sleigh Bed

STEP 1: Lay the headboard face down on a soft surface. Attach the left leg and right leg to headboard by using 6 bolts(A), lock washers(B) and flat washers(C).



STEP 2: Attach the wood stretcher to the legs by using 2 bolts(A), lock washers(B) and flat washers(C).

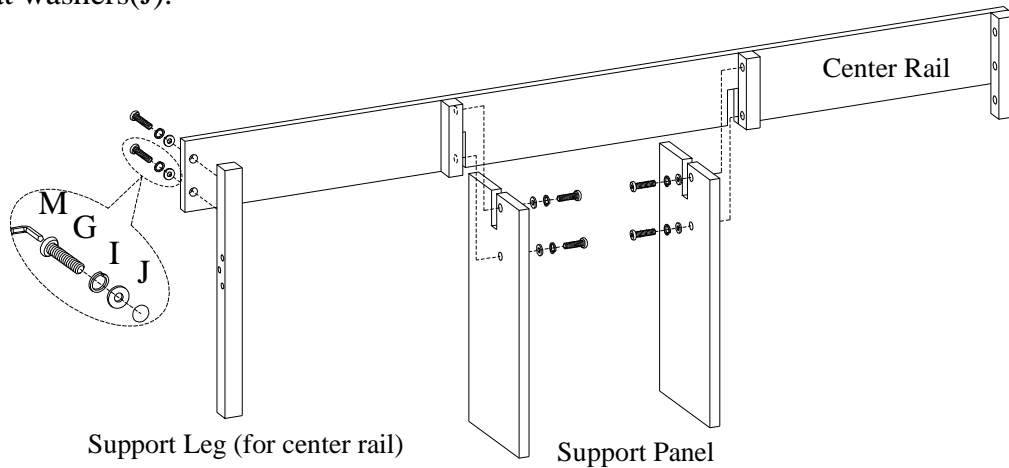
STEP 3: Lay footboard upside down on a padded, clean surface. Attach support legs (for pedestal) and bun feet to footboard using 4 bolts(H), lock washers(I) and flat washers(J). Turn footboard right side up.



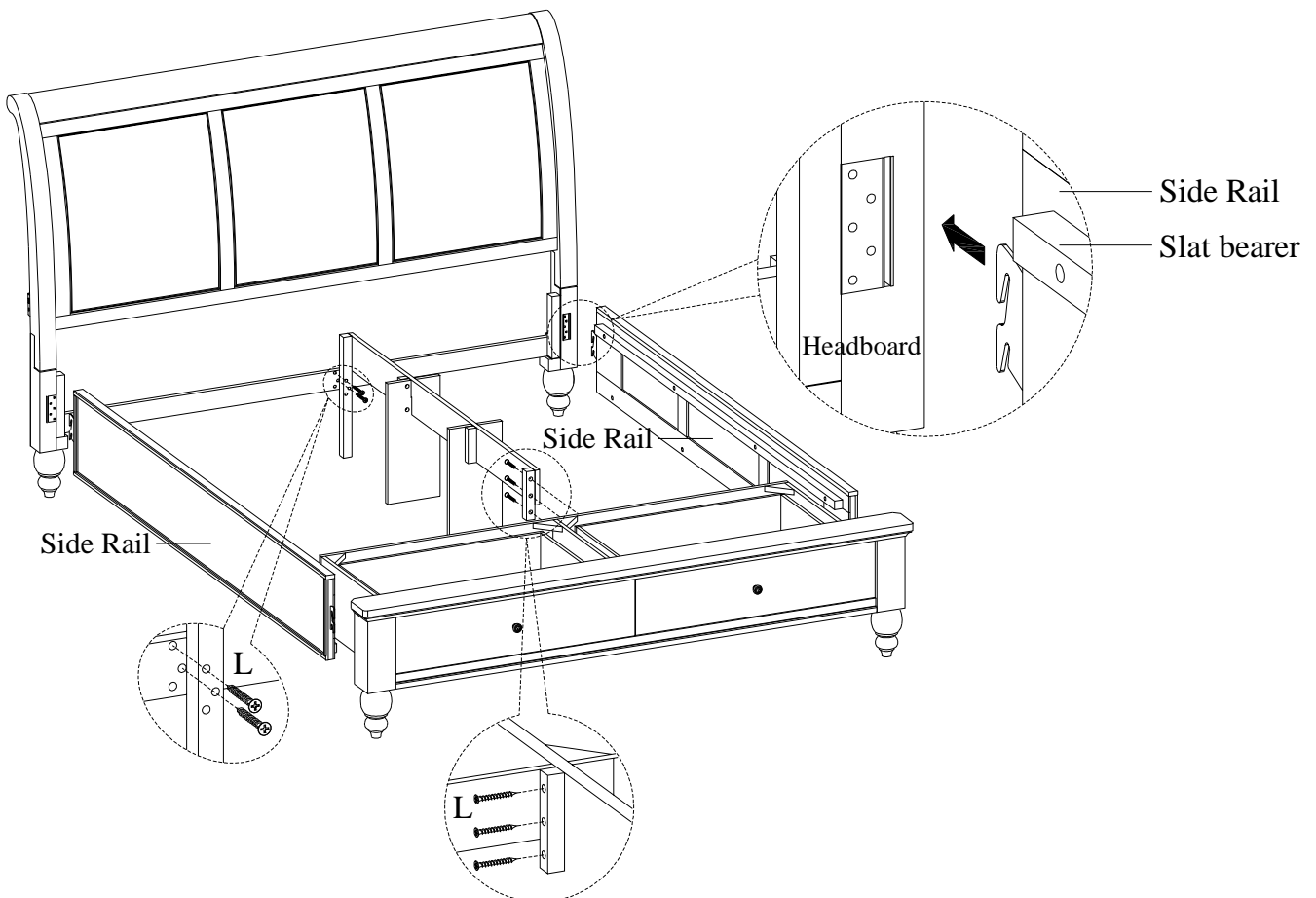


ITEM NO: ICB-400-KD Queen Sleigh Bed HB
ICB-492-KD Queen Framed Panel HB
ICB-402L Queen Side Rails
ICB-403D Queen LP FB w/Drawers

STEP 4: Attach support leg and support panels to center rail by using 6 bolts(G), lock washers(I) and flat washers(J).



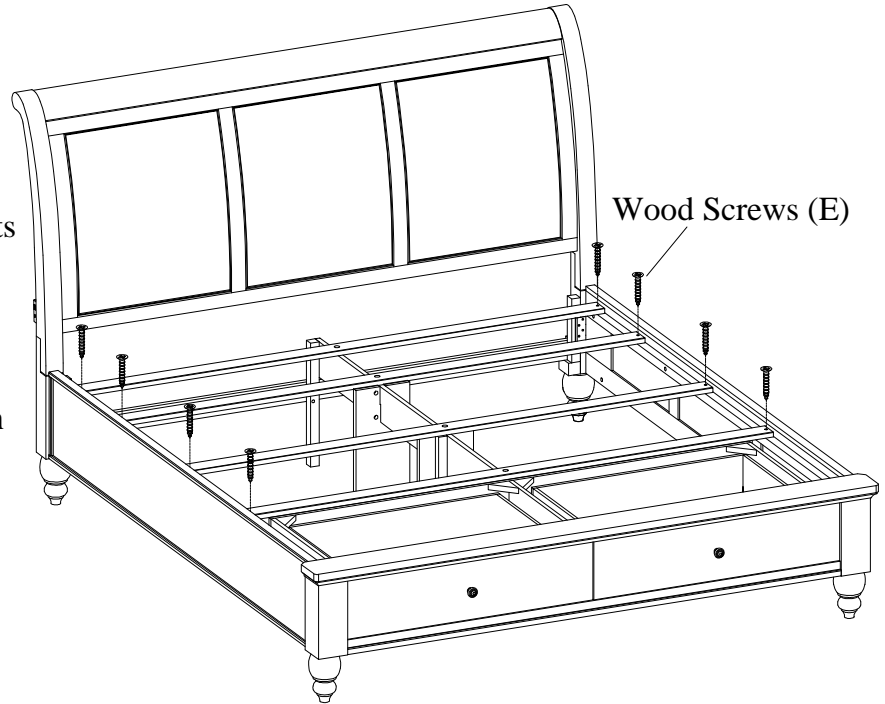
STEP 5: Hook the side rails to the headboard and footboard, Attach support leg and center rail to headboard and footboard by using 5 wood screws(L).



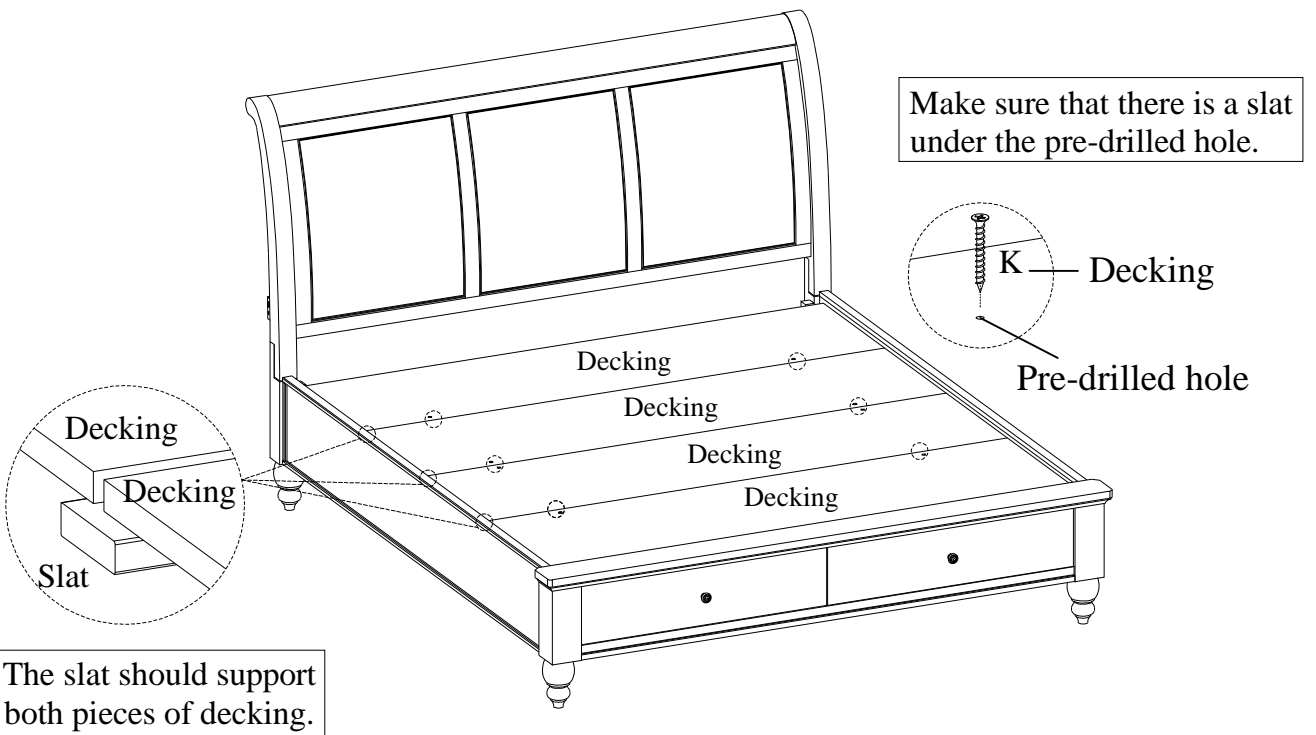


ITEM NO: ICB-400-KD Queen Sleigh Bed HB
 ICB-492-KD Queen Framed Panel HB
 ICB-402L Queen Side Rails
 ICB-403D Queen LP FB w/Drawers

STEP 6: Arrange slats on the slat bearers and then lay decking on top of the slats. Make sure the slats are positioned along the seams of the decking as shown in the detail in STEP 7 under the pre-drilled hole. Remove the decking and attach slats to the slat bearers with wood screws (E).



STEP 7: Put the decking over the slats, secure decking to the slats with wood screws (K) through the pre-drilled holes in the decking as shown below.



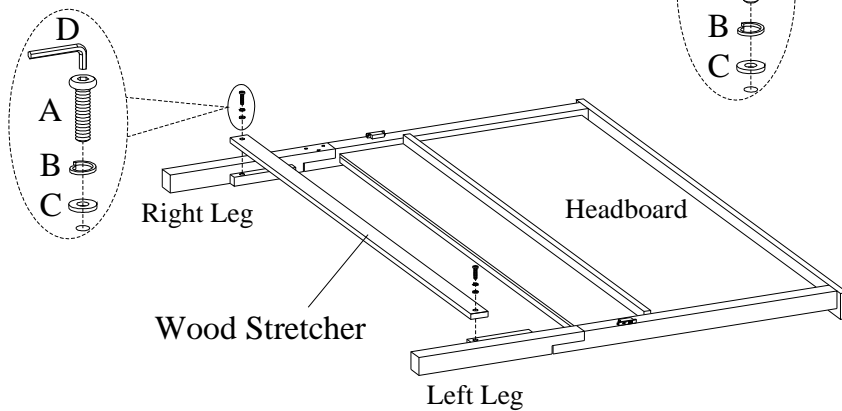
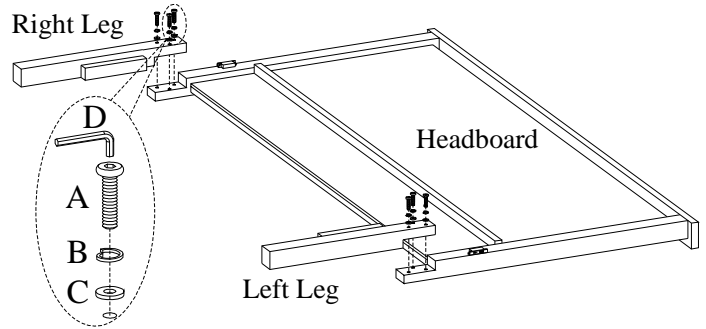
The slat should support both pieces of decking.



ITEM NO: ICB-400-KD Queen Sleigh Bed HB
 ICB-492-KD Queen Framed Panel HB
 ICB-402L Queen Side Rails
 ICB-403D Queen LP FB w/Drawers

OPTION 2: Queen Storage Panel Bed

STEP 1: Lay the headboard face down on a soft surface. Attach the left leg and right leg to headboard by using 6 bolts(A), lock washers(B) and flat washers(C).

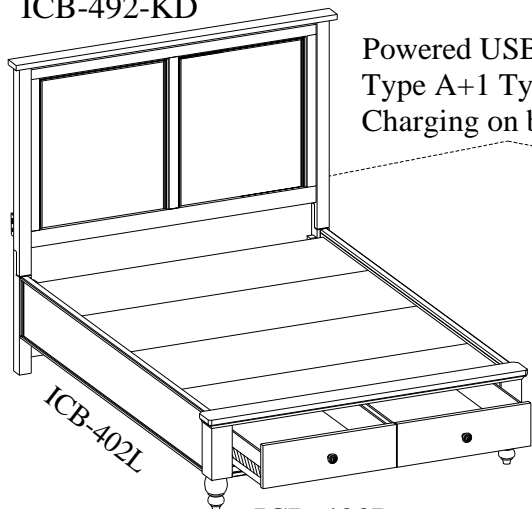


STEP 2: Attach the wood stretcher to the legs by using 2 bolts(A), lock washers(B) and flat washers(C).

STEP 3 to STEP 7 are same as **OPTION 1**

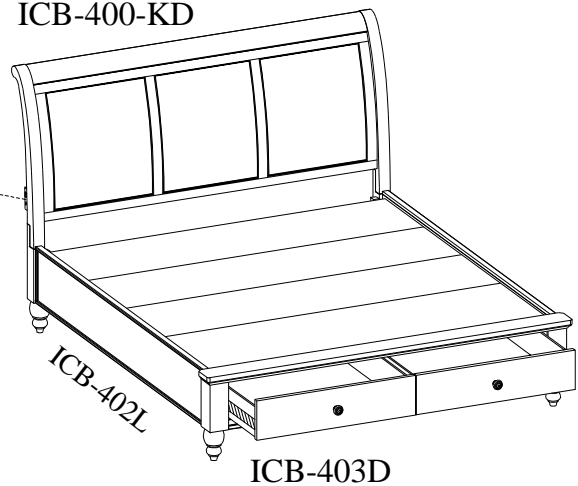
FUNCTIONALITY INSTRUCTION

ICB-492-KD



Powered USB Ports (1 Type A+1 Type C) for Charging on both sides

ICB-400-KD





- ITEM NO: ICB-404-KD King/Cal King Sleigh HB
 ICB-495-KD King Framed Panel HB
 ICB-406L King Side Rails
 ICB-410L Cal King Side Rails
 ICB-407D King/Cal King LP FB w/Drawers

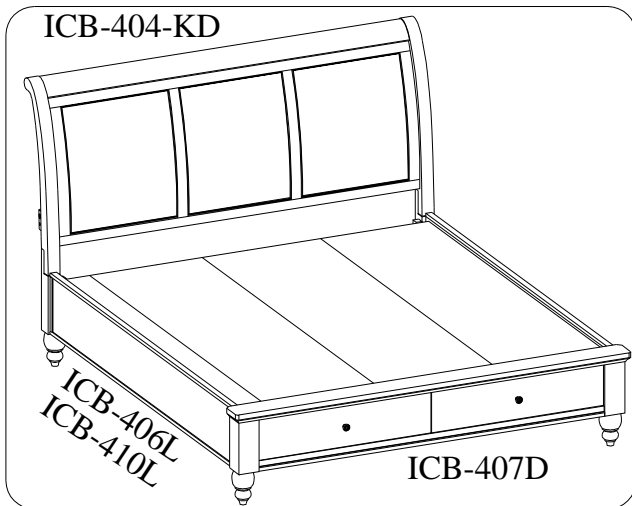
Thank you for purchasing this quality product. Be sure to check all packing material carefully for small parts that may come loose inside the carton during shipment.

WARNING! Before using this product, please read, understand, and follow these instructions. Failure to follow each of these assembly instructions precisely may result in damage to the product and / or injury to the consumer.



UNIT SHOULD BE INSTALLED BY 2 OR MORE PERSONS.

OPTION 1: King/Cal king Storage Sleigh Bed



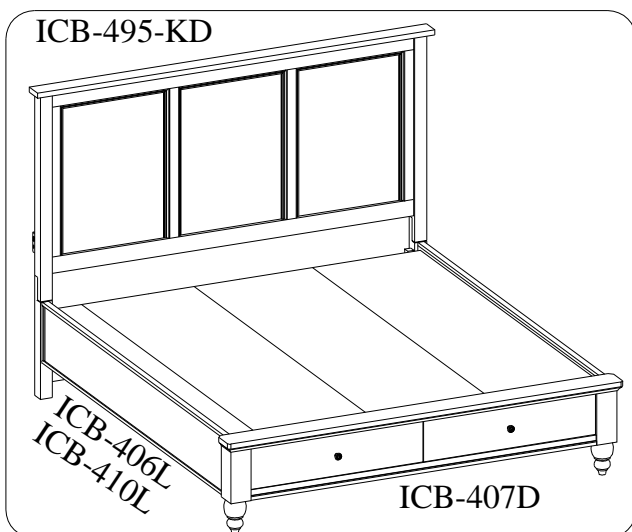
TOOLS REQUIRED (NOT PROVIDED)

PHILLIPS SCREWDRIVER

UTILITY KNIFE (FOR CAL KING)

All Beds need to be set up in the exact final location so that after full assembly it will not need to be moved. Moving the bed will cause the support legs to move out of perpendicular (90 degree), weaken the support system, and may allow the bed to collapse.





OPTION 2: King/Cal King Storage Panel Bed


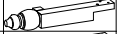






FOR INDOOR USE ONLY






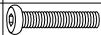



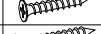


ITEM NO: ICB-404-KD King/Cal King Sleigh HB
 ICB-495-KD King Framed Panel HB
 ICB-406L King Side Rails
 ICB-410L Cal King Side Rails
 ICB-407D King/Cal King LP FB w/Drawers




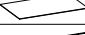



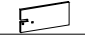

HARDWARE LIST: ICB-404-KD			
No.	Description	Sketch	Quantity
A	Bolt Ø5/16"*2-1/4"		8 PCS
B	Lock Washer Ø5/16"		8 PCS
C	Flat Washer Ø5/16"		8 PCS
D	Allen Wrench 5mm		1 PC




COMPONENTS LIST: ICB-404-KD			
No.	Description	Sketch	Quantity
1	Headboard		1 PC
2	Left Leg		1 PC
3	Right Leg		1 PC
4	Wood Stretcher		1 PC





HARDWARE LIST: ICB-406L/410L			
No.	Description	Sketch	Quantity
E	Wood Screw #8*1-1/4"		10 PCS
F	Allen Wrench 4mm		1 PC

COMPONENTS LIST: ICB-406L/410L			
No.	Description	Sketch	Quantity
1	Bed rails		2 PCS
2	Slats		5 PCS
3	Magnetic Plate(Only for -410L)		4 PCS

HARDWARE LIST: ICB-407D			
No.	Description	Sketch	Quantity
G	Bolt Ø1/4"*1-3/4"		9 PCS
H	Bolt Ø1/4"*1-1/4"		4 PCS
I	Lock Washer Ø1/4"		13 PCS
J	Flat washer Ø1/4"		13 PCS
K	Wood Screw #8*1"		6 PCS
L	Wood Screw #8*1-1/2"		5 PCS
M	Allen Wrench 4mm		1 PC

COMPONENTS LIST: ICB-407D			
No.	Description	Sketch	Quantity
1	Footboard		1 PC
2	Support Leg (for center rail)		1 PC
3	Support Leg (for pedestal)		2 PCS
4	Decking		3 PCS
5	Center Rail		1 PC
6	Filler		1 PC
7	Bun Foot		2 PCS
8	Support Panel		2 PCS
9	Rail connector		1 PC

HARDWARE LIST: ICB-495-KD			
No.	Description	Sketch	Quantity
N	Bolt Ø5/16"*1-3/4"		8 PCS
O	Lock Washer Ø5/16"		8 PCS
P	Flat Washer Ø5/16"		8 PCS
Q	Allen Wrench 5mm		1 PC

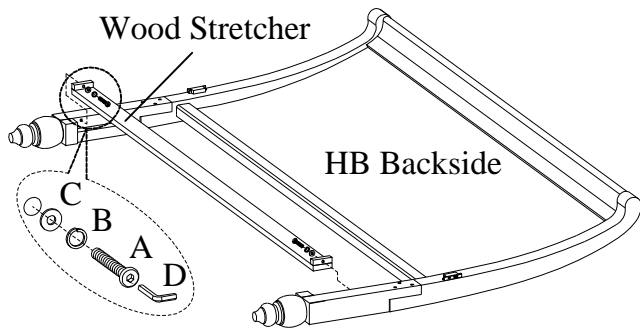
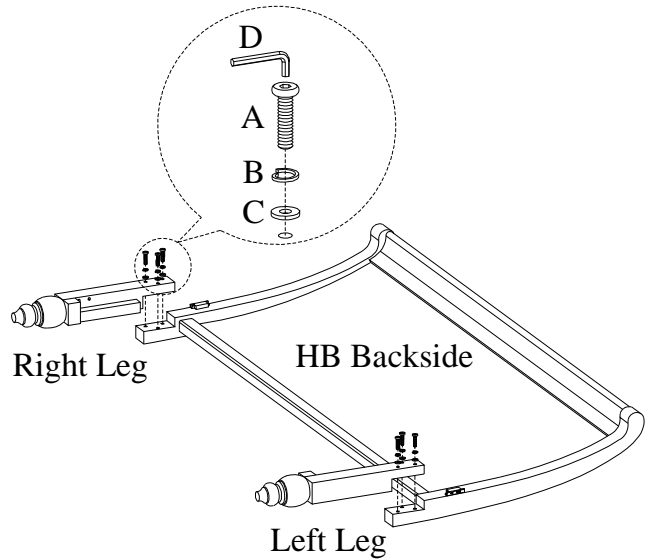
COMPONENTS LIST: ICB-495-KD			
No.	Description	Sketch	Quantity
1	Headboard		1 PC
2	Left Leg		1 PC
3	Right Leg		1 PC
4	Wood Stretcher		1 PC



ITEM NO: ICB-404-KD	King/Cal King Sleigh HB
ICB-495-KD	King Framed Panel HB
ICB-406L	King Side Rails
ICB-410L	Cal King Side Rails
ICB-407D	King/Cal King LP FB w/Drawers

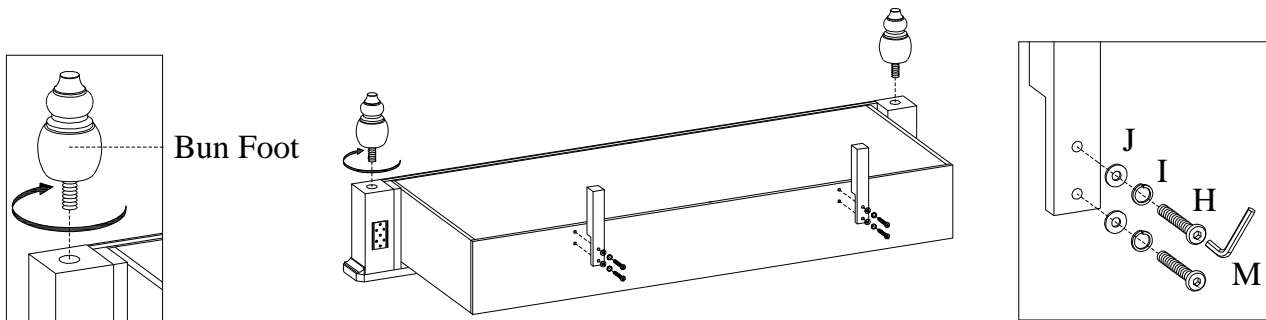
OPTION 1: King/Cal king Storage Sleigh Bed

STEP 1: Lay the headboard face down on a soft surface. Attach the left leg and right leg to headboard by using 6 bolts(A), lock washers(B) and flat washers(C).



STEP 2: Attach the wood stretcher to the legs by using 2 bolts(A), lock washers(B) and flat washers(C).

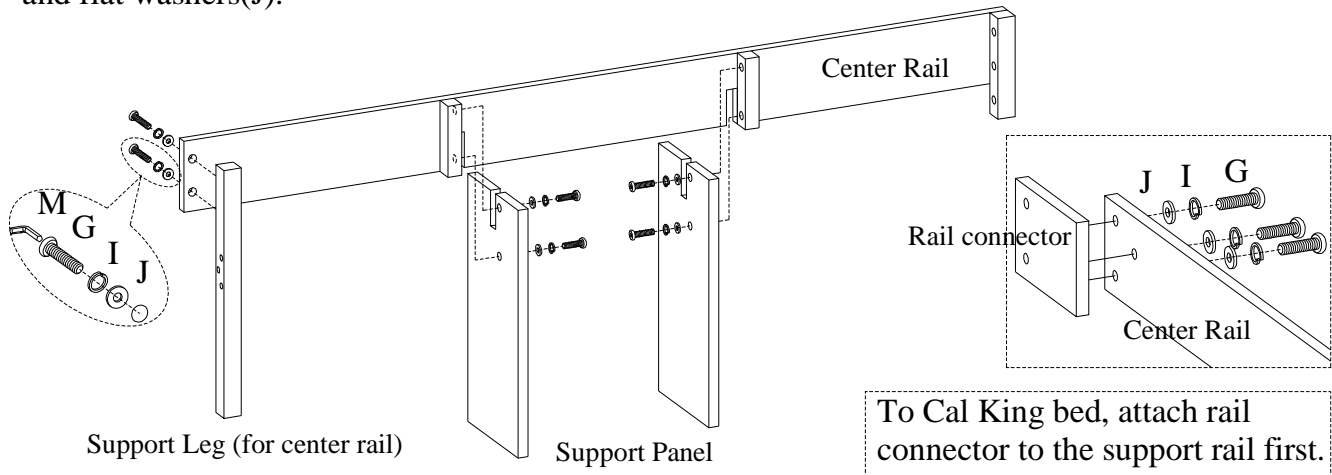
STEP 3: Lay footboard upside down on a padded, clean surface. Attach support legs (for pedestal) and bun feet to footboard using 4 bolts(H), lock washers(I) and flat washers(J). Turn footboard right side up.



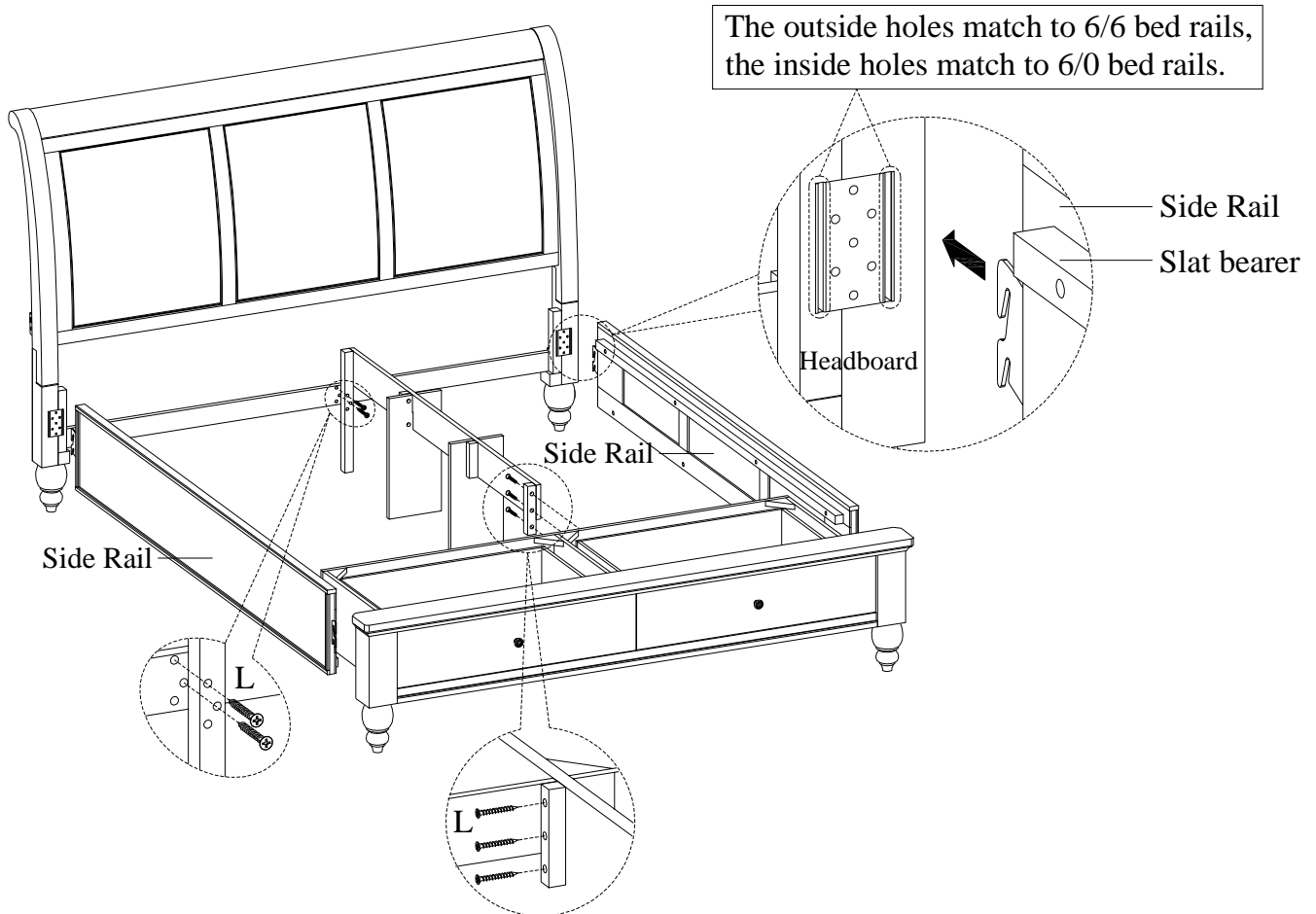


ITEM NO: ICB-404-KD King/Cal King Sleigh HB
 ICB-495-KD King Framed Panel HB
 ICB-406L King Side Rails
 ICB-410L Cal King Side Rails
 ICB-407D King/Cal King LP FB w/Drawers

STEP 4: Attach support leg and support panels to center rail by using 6 bolts(G), lock washers(I) and flat washers(J).



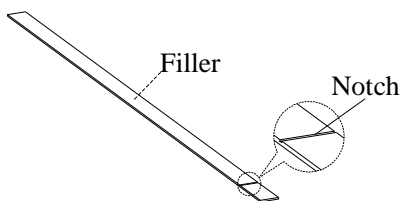
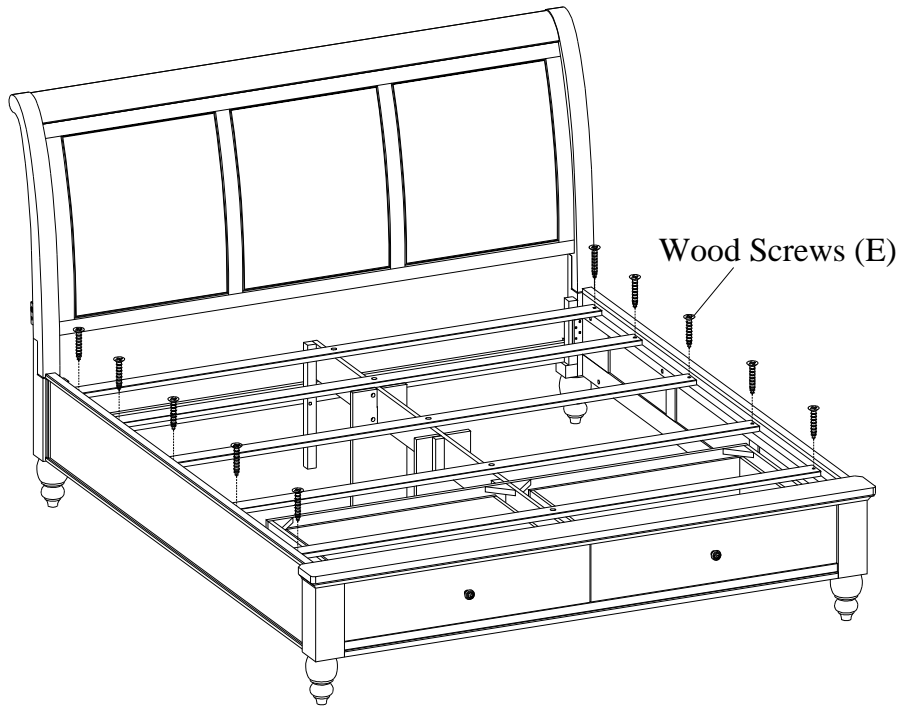
STEP 5: Hook the side rails to the headboard and footboard, Attach support leg and center rail to headboard and footboard by using 5 wood screws(L).





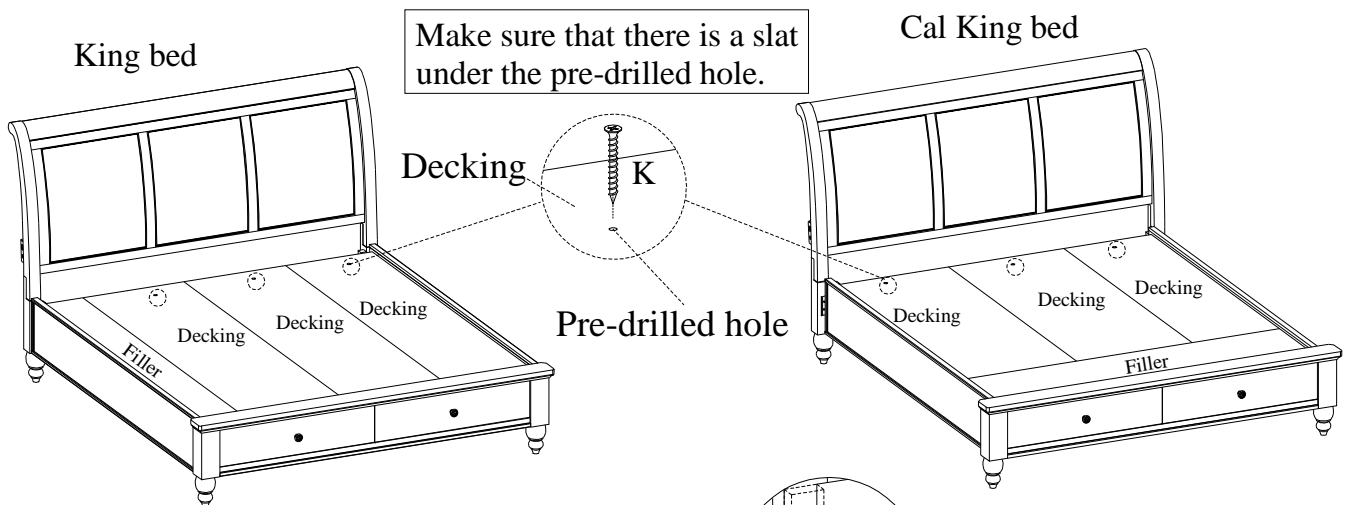
ITEM NO: ICB-404-KD King/Cal King Sleigh HB
 ICB-495-KD King Framed Panel HB
 ICB-406L King Side Rails
 ICB-410L Cal King Side Rails
 ICB-407D King/Cal King LP FB w/Drawers

STEP 6: Arrange slats on the slat bearers and then lay the decking on top of the slats. Make sure the top and bottom slats are situated underneath the pre-drilled holes as shown below in STEP 8. Remove the decking and attach slats to the slat bearers with wood screws (E).

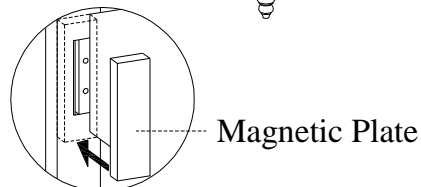


STEP 7: For Cal King bed, use a utility knife to cut off the small piece at the notch on the Decking Filler piece included with the Storage Footboard. For regular King bed, skip this step.

STEP 8: Put the decking over the slats, secure decking to the slats with wood screws (K) through the pre-drilled holes in the decking as shown below.



STEP 9: For Cal King bed, use magnetic plate to cover the exposed hooks on headboard and footboard. For regular King bed, skip this step.

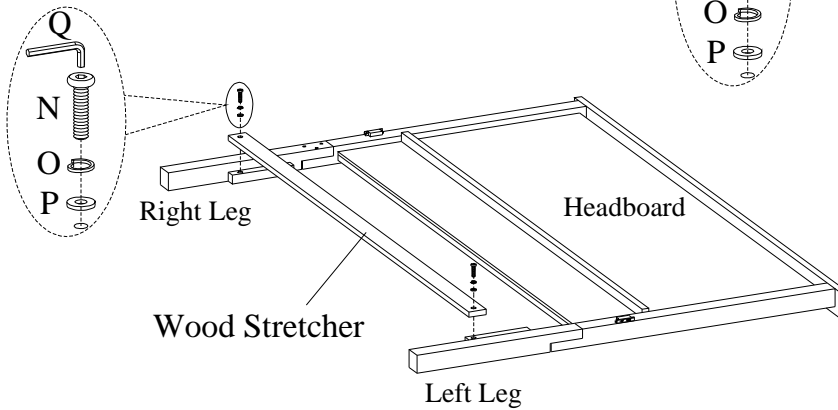
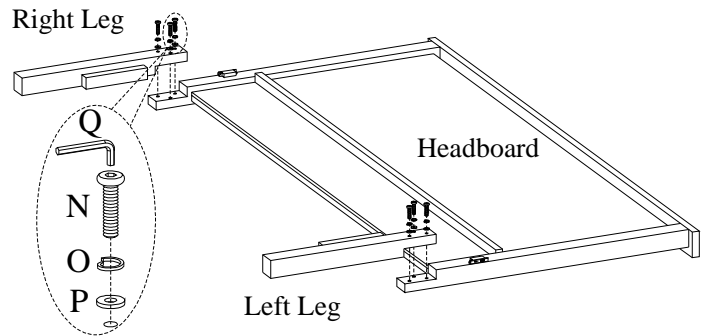




ITEM NO: ICB-404-KD	King/Cal King Sleigh HB
ICB-495-KD	King Framed Panel HB
ICB-406L	King Side Rails
ICB-410L	Cal King Side Rails
ICB-407D	King/Cal King LP FB w/Drawers

OPTION 2: King/Cal king Storage Panel Bed

STEP 1: Lay the headboard face down on a soft surface. Attach the left leg and right leg to headboard by using 6 bolts(N), lock washers(O) and flat washers(P).



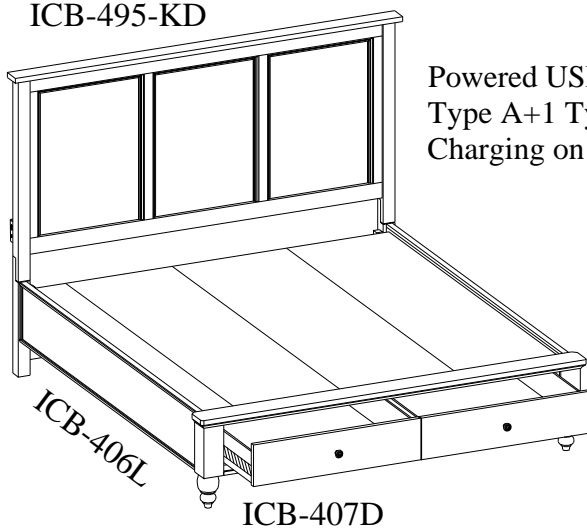
STEP 2: Attach the wood stretcher to the legs by using 2 bolts(N), lock washers(O) and flat washers(P).

STEP 3 to STEP 9 are same as **OPTION 1**

FUNCTIONALITY INSTRUCTION

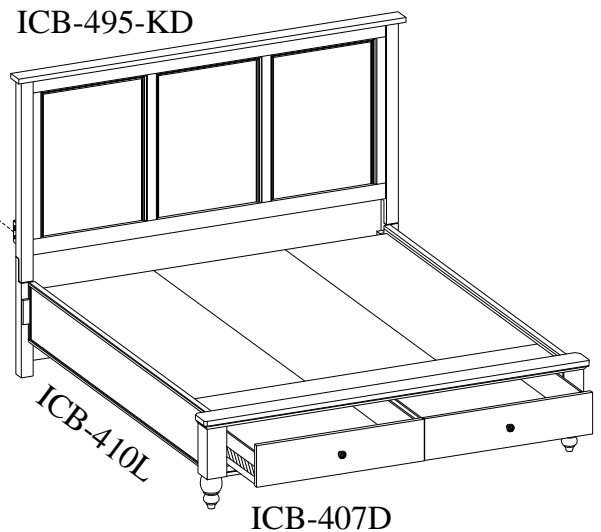
OPTION 2:

ICB-495-KD



Powered USB Ports (1 Type A+1 Type C) for Charging on both sides

ICB-495-KD



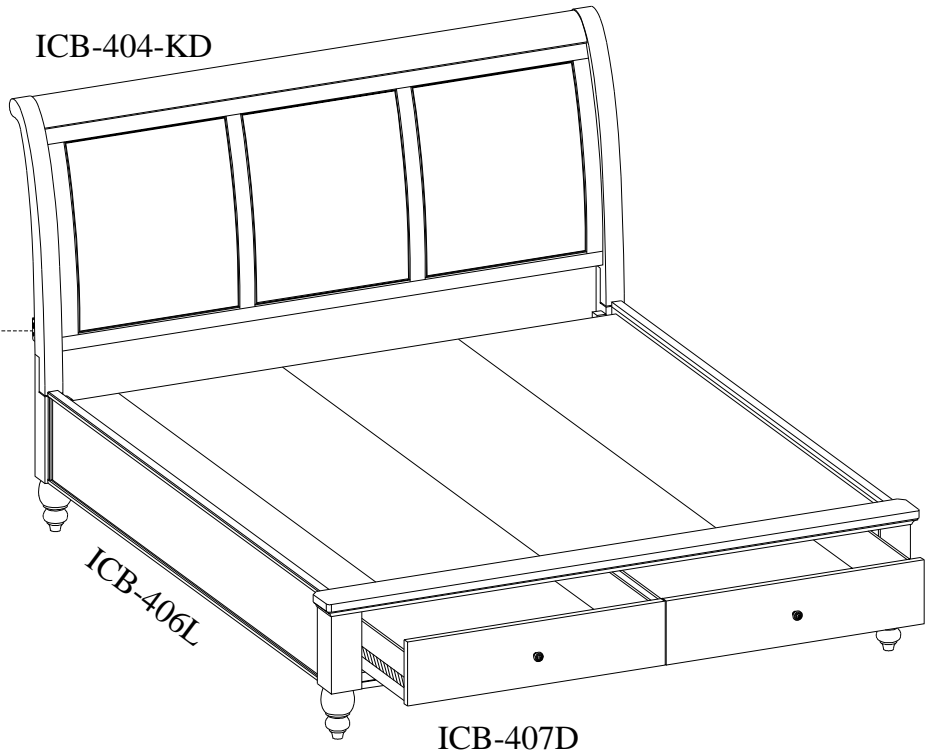


ITEM NO: ICB-404-KD	King/Cal King Sleigh HB
ICB-495-KD	King Framed Panel HB
ICB-406L	King Side Rails
ICB-410L	Cal King Side Rails
ICB-407D	King/Cal King LP FB w/Drawers

FUNCTIONALITY INSTRUCTION

OPTION 1:

Powered USB Ports (1 Type A+1 Type C) for Charging on both sides



Powered USB Ports (1 Type A+1 Type C) for Charging on both sides

