



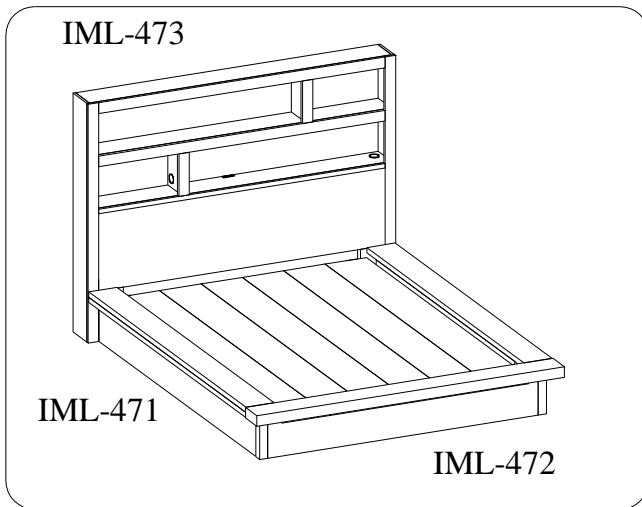
ITEM NO: IML-473-BRN/GRY
 IML-471-BRN/GRY
 IML-472-BRN/GRY

Queen Platform HB
 Queen Platform Rails and Decking
 Queen Platform FB

Thank you for purchasing this quality product. Be sure to check all packing material carefully for small parts that may come loose inside the carton during shipment.



UNIT SHOULD BE INSTALLED BY 2 OR MORE PERSONS.



All Beds need to be set up in the exact final location so that after full assembly it will not need to be moved. Moving the bed will cause the support legs to move out of perpendicular (90 degree), weaken the support system, and may allow the bed to collapse.

TOOLS REQUIRED (NOT PROVIDED)
PHILLIPS SCREWDRIVER

COMPONENTS LIST: IML-473			
No.	Description	Sketch	Quantity
1	Headboard		1 PC

HARDWARE LIST: IML-471			
No.	Description	Sketch	Quantity
A	Hanger Bolt Ø5/16"*3-1/2"		8 PCS
B	Half Moon Washer 5/16"		8 PCS
C	Lock Washer Ø5/16"		8 PCS
D	Hex Nut Ø5/16"		8 PCS
E	Hex Wrench 12mm		1 PC
F	Wood Screw M4*1-1/4"		8 PCS
G	Wood Screw M4*1"		12 PCS
H	Wood Dowel Ø3/8"*1-9/16"		8 PCS

COMPONENTS LIST: IML-471			
No.	Description	Sketch	Quantity
1	Bed rails		2 PCS
2	Slats		4 PCS
3	Decking		6 PCS

COMPONENTS LIST: IML-472			
No.	Description	Sketch	Quantity
1	Footboard		1 PC
2	Support leg		4 PCS

BEFORE USING THIS PRODUCT PLEASE READ, UNDERSTAND, AND FOLLOW THESE INSTRUCTIONS.
 Save these instructions for future reference.

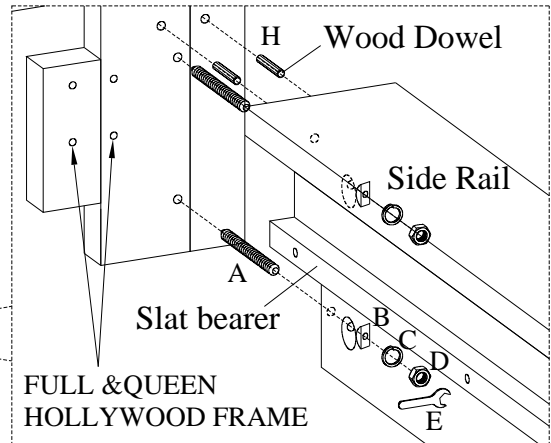
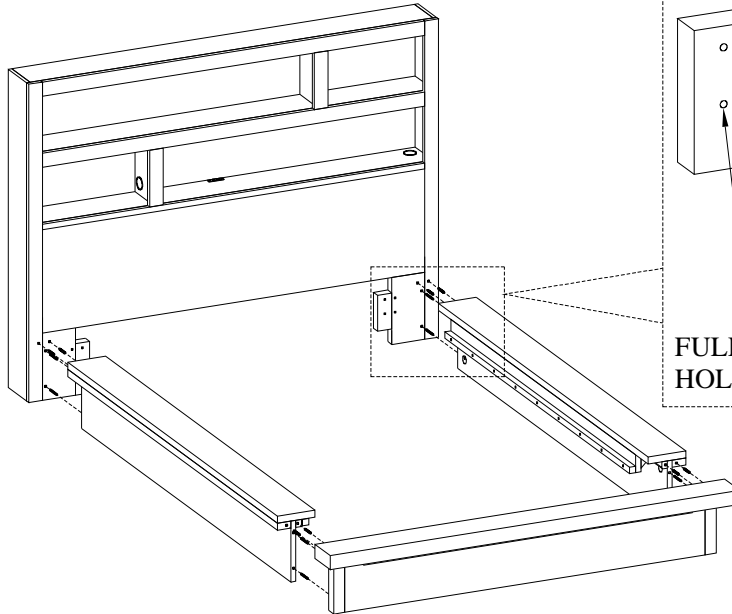
FOR INDOOR USE ONLY



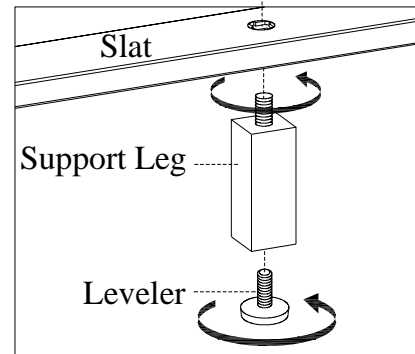
ITEM NO: IML-473-BRN/GRY
IML-471-BRN/GRY
IML-472-BRN/GRY

Queen Platform HB
Queen Platform Rails and Decking
Queen Platform FB

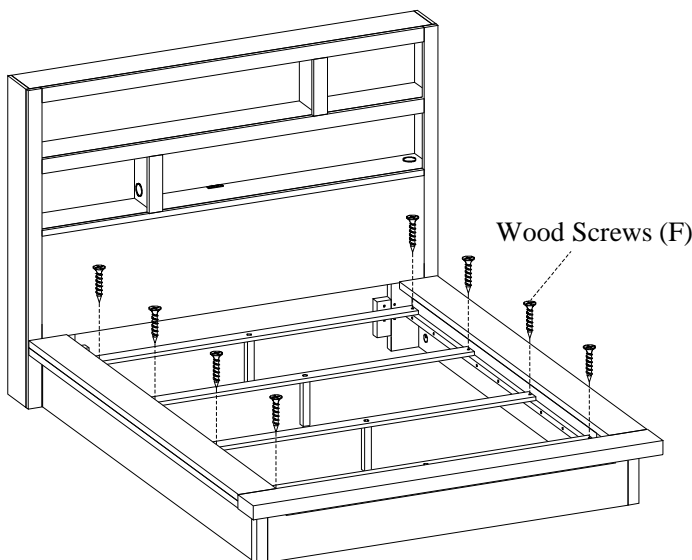
STEP 1: Insert wood dowel(H) at both end of the side rails. Screw the bolts(A) into HB & FB. Align the bolts with the holes in the end of side rails and attach the side rails to HB & FB using half moon washers(B), lock washers(C) and nuts (D). Then use a hex wrench(E) to tighten all the nuts.



This End Up



STEP 2: Attach the support legs with leveler to the slats. Adjust the levelers on bottom of support legs when necessary.



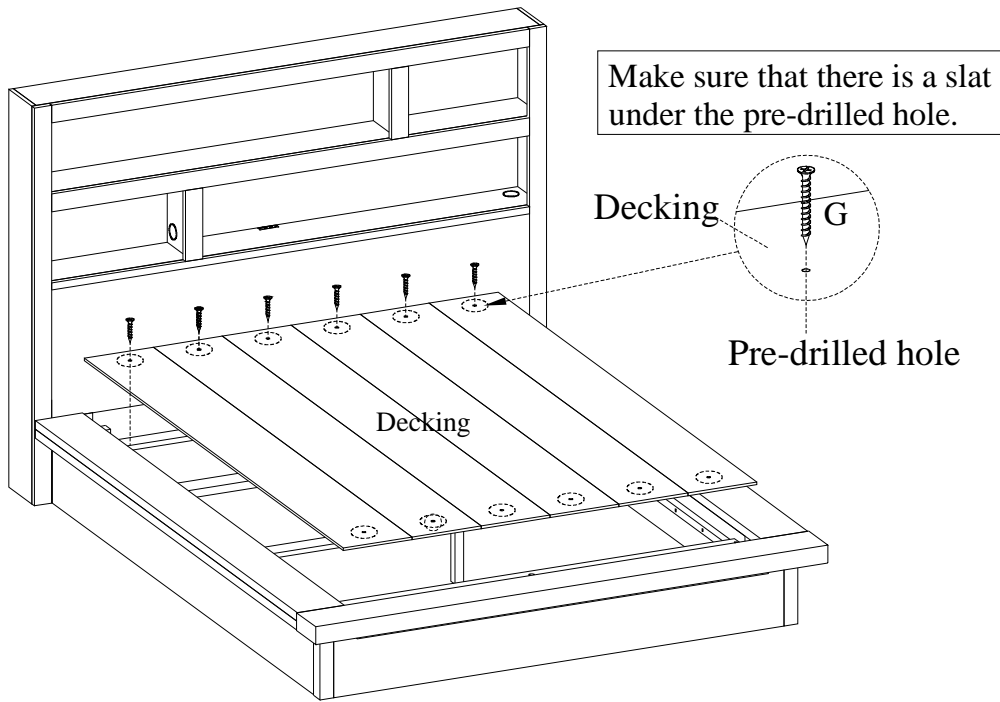
STEP 3: Arrange slats on the slat bearers and then lay the decking on top of the slats. Make sure the top and bottom slats are situated underneath the pre-drilled holes as shown below in STEP 4. Remove the decking and attach slats to the slat bearers with wood screws (F).



ITEM NO: IML-473-BRN/GRY
IML-471-BRN/GRY
IML-472-BRN/GRY

Queen Platform HB
Queen Platform Rails and Decking
Queen Platform FB

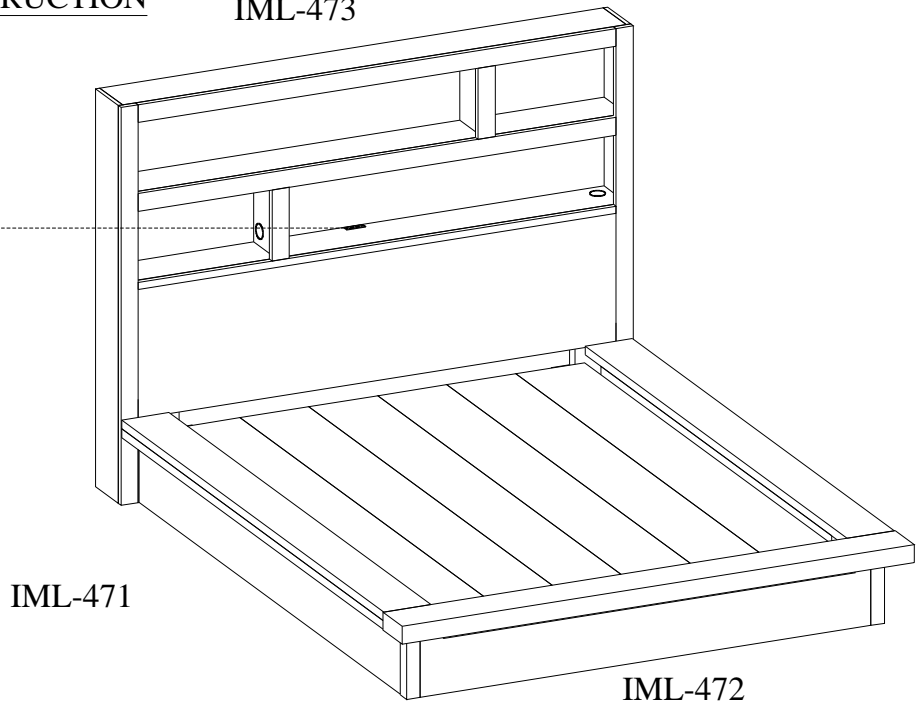
STEP 4: Put the decking over the slats, secure decking to the slats with wood screws (G) through the pre-drilled holes in the decking as shown below.



FUNCTIONALITY INSTRUCTION

IML-473

2 Powered USB Port for Charging



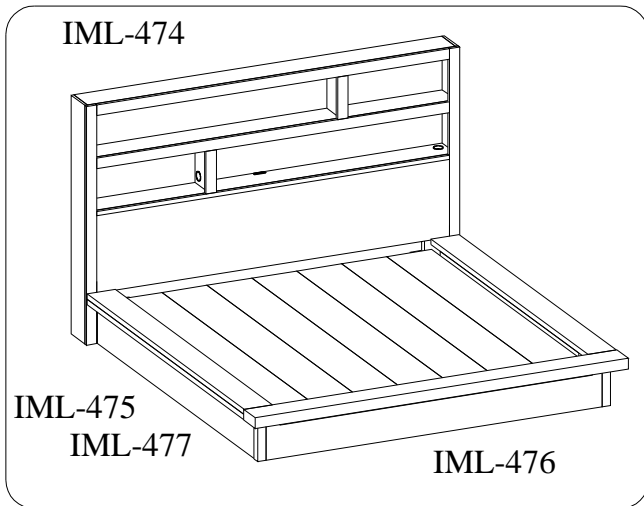


ITEM NO: IML-474-BRN/GRY King Platform HB
 IML-475-BRN/GRY King Platform Rails and Decking
 IML-477-BRN/GRY Cal King Platform Rails and Decking
 IML-476-BRN/GRY King Platform FB

Thank you for purchasing this quality product. Be sure to check all packing material carefully for small parts that may come loose inside the carton during shipment.



UNIT SHOULD BE INSTALLED BY 2 OR MORE PERSONS.



All Beds need to be set up in the exact final location so that after full assembly it will not need to be moved. Moving the bed will cause the support legs to move out of perpendicular (90 degree), weaken the support system, and may allow the bed to collapse.

TOOLS REQUIRED (NOT PROVIDED)
PHILLIPS SCREWDRIVER

COMPONENTS LIST: IML-474			
No.	Description	Sketch	Quantity
1	Headboard		1 PC

HARDWARE LIST: IML-475/477			
No.	Description	Sketch	Quantity
A	Hanger Bolt Ø5/16"*3-1/2"		8 PCS
B	Half Moon Washer 5/16"		8 PCS
C	Lock Washer Ø5/16"		8 PCS
D	Hex Nut Ø5/16"		8 PCS
E	Hex Wrench 12mm		1 PC
F	Wood Screw M4*1-1/4"		10 PCS
G	Wood Screw M4*1"		14 PCS
H	Wood Dowel Ø3/8"*1-9/16"		8 PCS

COMPONENTS LIST: IML-475/477			
No.	Description	Sketch	Quantity
1	Bed rails		2 PCS
2	Slats		5 PCS
3	Decking		7 PCS

COMPONENTS LIST: IML-476			
No.	Description	Sketch	Quantity
1	Footboard		1 PC
2	Support leg		10 PCS

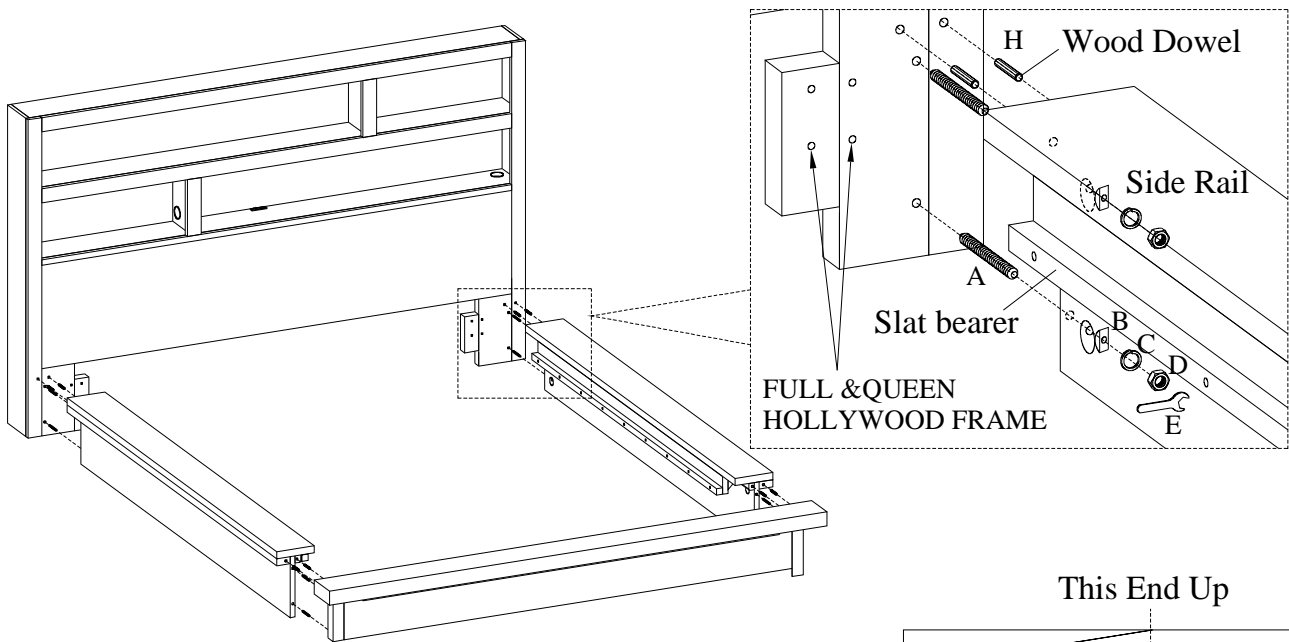
BEFORE USING THIS PRODUCT PLEASE READ, UNDERSTAND, AND FOLLOW THESE INSTRUCTIONS.
 Save these instructions for future reference.

FOR INDOOR USE ONLY

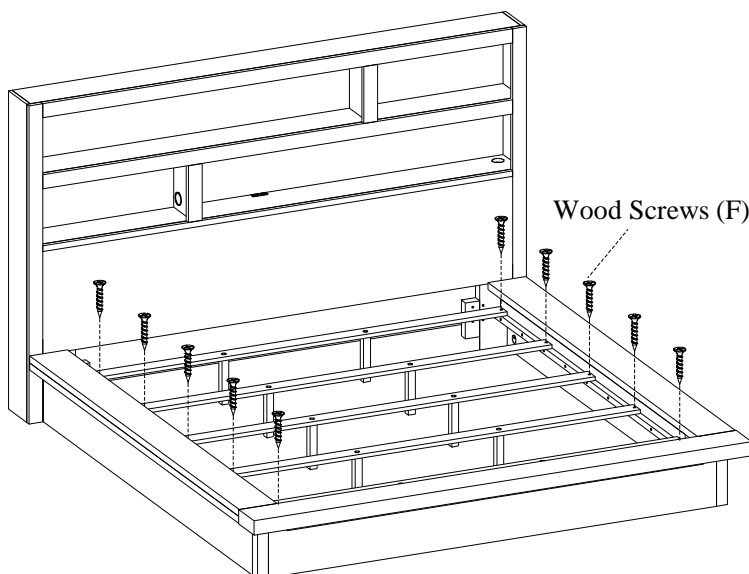
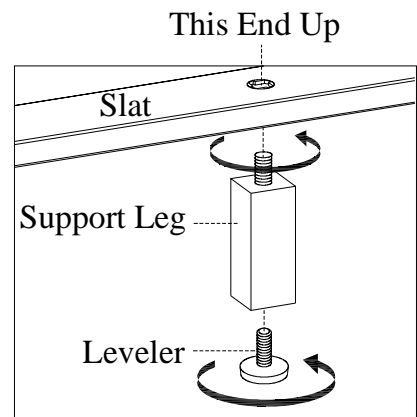


ITEM NO: IML-474-BRN/GRY King Platform HB
 IML-475-BRN/GRY King Platform Rails and Decking
 IML-477-BRN/GRY Cal King Platform Rails and Decking
 IML-476-BRN/GRY King Platform FB

STEP 1: Insert wood dowel(H) at both end of the side rails. Screw the bolts(A) into HB & FB. Align the bolts with the holes in the end of side rails and attach the side rails to HB & FB using half moon washers(B), lock washers(C) and nuts (D). Then use a hex wrench(E) to tighten all the nuts.



STEP 2: Attach the support legs with leveler to the slats. Adjust the levelers on bottom of support legs when necessary.

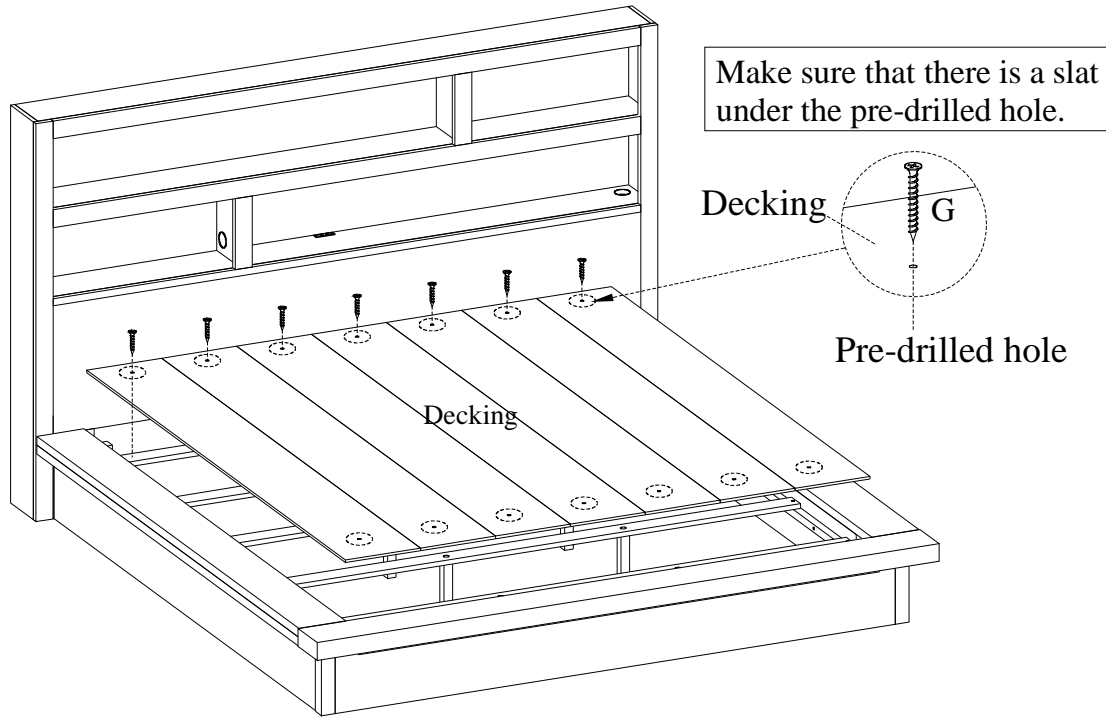


STEP 3: Arrange slats on the slat bearers and then lay the decking on top of the slats. Make sure the top and bottom slats are situated underneath the pre-drilled holes as shown below in STEP 4. Remove the decking and attach slats to the slat bearers with wood screws (F).



ITEM NO: IML-474-BRN/GRY King Platform HB
 IML-475-BRN/GRY King Platform Rails and Decking
 IML-477-BRN/GRY Cal King Platform Rails and Decking
 IML-476-BRN/GRY King Platform FB

STEP 4: Put the decking over the slats, secure decking to the slats with wood screws (G) through the pre-drilled holes in the decking as shown below.



FUNCTIONALITY INSTRUCTION

IML-474

2 Powered USB Port for Charging

