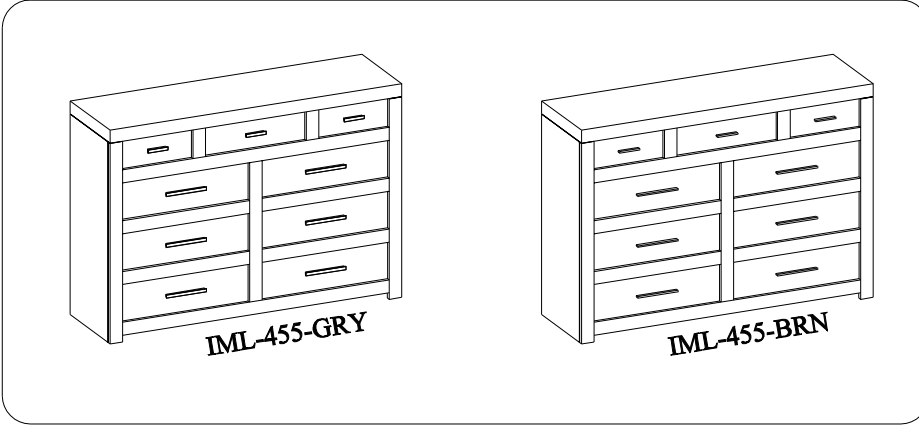




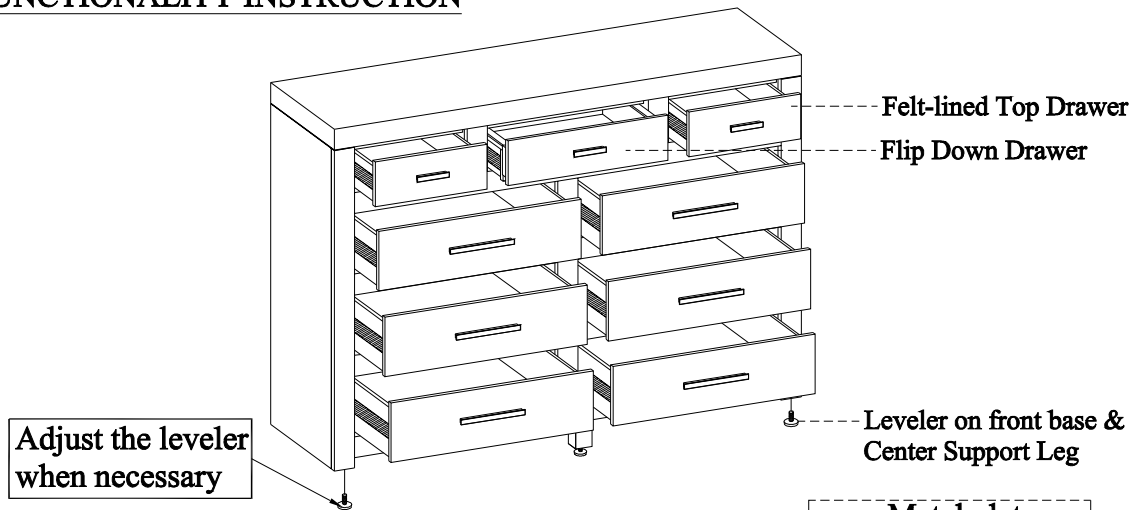
ITEM NO: IML-455-GRY/BRN Chesser

Thank you for purchasing this quality product. Be sure to check all packing material carefully for small parts that may come loose inside the carton during shipment.

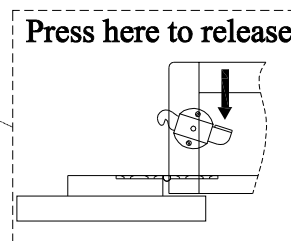
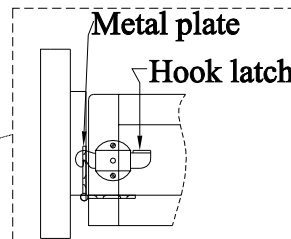
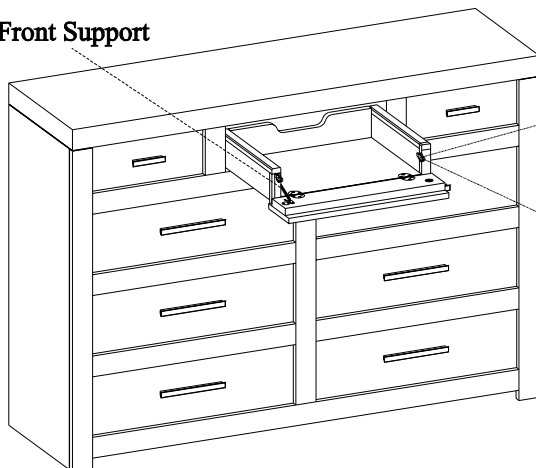


BEFORE USING THIS PRODUCT PLEASE READ, UNDERSTAND, AND FOLLOW THESE INSTRUCTIONS.
Save these instructions for future reference.

FUNCTIONALITY INSTRUCTION



Drop Front Support

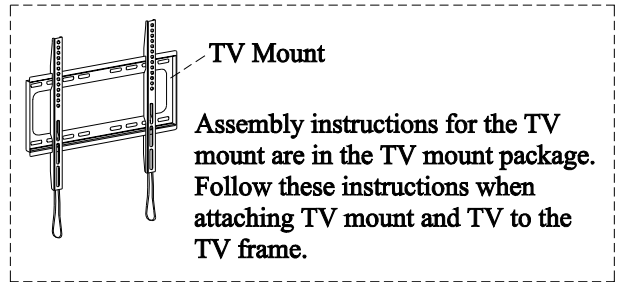
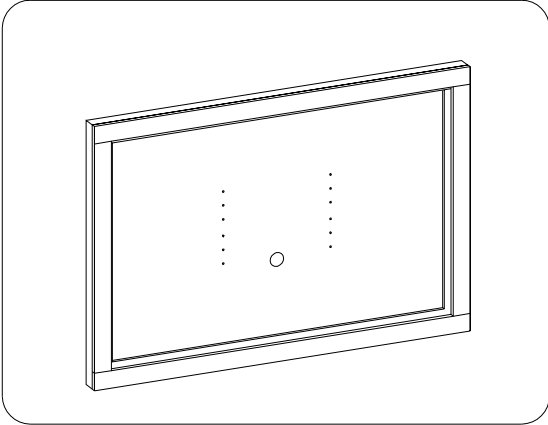


FOR INDOOR USE ONLY



ITEM NO: IML-487-GRY/BRN TV Frame w/TV Mount (for -455)

Thank you for purchasing this quality product. Be sure to check all packing material carefully for small parts that may come loose inside the carton during shipment.



HARDWARE LIST:

No.	Description	Sketch	Quantity
A	Bolts Ø5/16"*1-1/2"		8 PCS
B	Lock Washer Ø5/16"		8 PCS
C	Flat Washer Ø5/16" *3/4"		8 PCS
D	Allen Wrench 5mm		1 PC

TOOLS REQUIRED (NOT PROVIDED)

PHILLIPS SCREWDRIVER

COMPONENTS LIST:

No.	Description	Sketch	Quantity
1	TV Frame		1 PC
2	Metal Strip		2 PCS
3	TV Moutn		1 Set

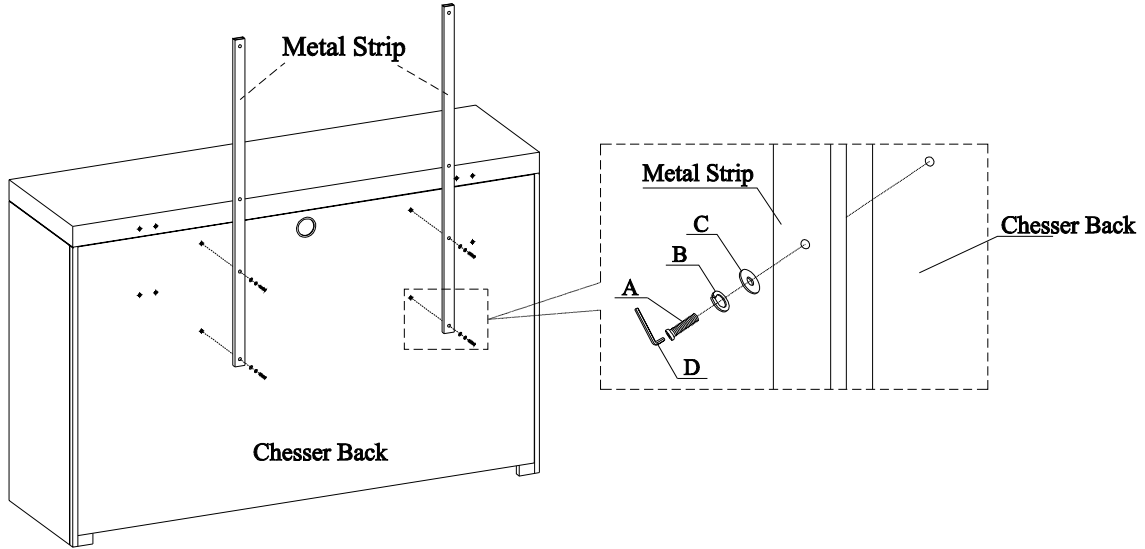
BEFORE USING THIS PRODUCT PLEASE READ, UNDERSTAND, AND FOLLOW THESE INSTRUCTIONS. Save these instructions for future reference.

FOR INDOOR USE ONLY



ITEM NO: IML-487-GRY/BRN TV Frame w/TV Mount (for -455)

STEP 1: Attach the metal strips to the chesser by using 4 bolts (A), lock washers (B) and flat washers (C). See below. Do not tighten the bolts completely.



STEP 2: Attach the metal strips to the TV frame by using 4 bolts (A), lock washers (B) and flat washers (C). Tighten all the bolts on TV frame and Chesser with Allen wrench.

