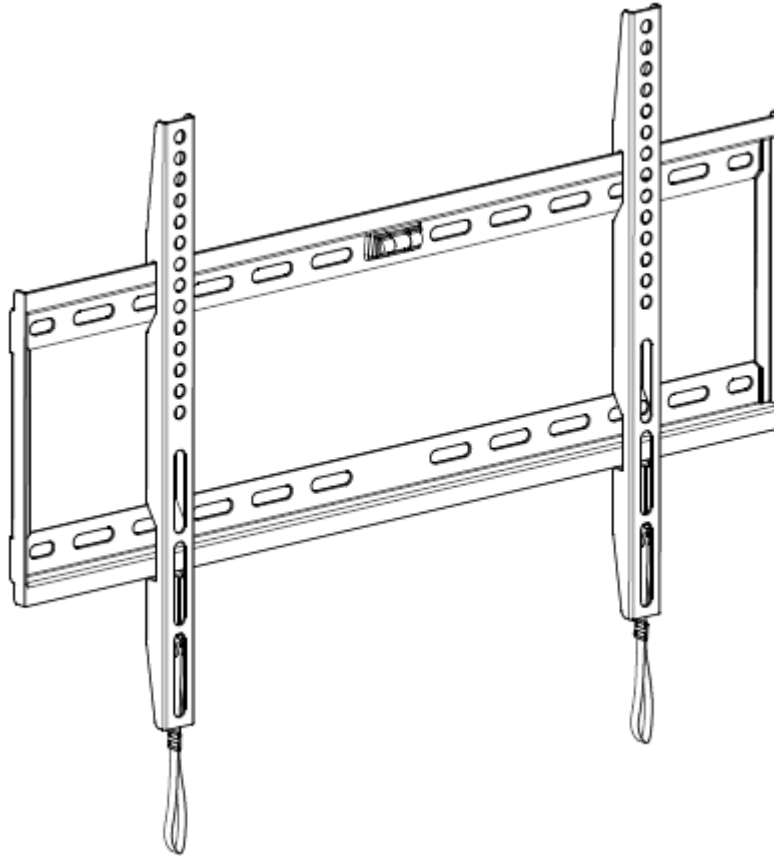


ASSEMBLY INSTRUCTIONS



- Please read instructions carefully before assembly
- TV Mount designed for most 32-75 inch flat panel TV's
- Consult the TV Manufacturer VESA specifications for compatibility (up to 600 x 400mm)

SAFETY WARNING

- Never let children climb on product or play with product
- Designed to hold weight of standard 32" – 75" flat panel TV's
- Do not mount a TV that is larger than 75"

ASSEMBLY INSTRUCTIONS

- Manufacturer is not liable for damage or injury caused by incorrect mounting, assembly or use
- Keep the Assembly Instructions for future reference
- It is recommended to install the Tip Restraint included with the Chesser

Part List

- A – Wall Plate (1 pc)
- B – TV Bracket (2 pcs)

Hardware List

- a – TV Bracket M4x30 bolt (4 pcs)
- b – TV Bracket M5x30 bolt (4 pcs)
- c – TV Bracket M6x30 bolt (4 pcs)
- d – TV Bracket M8x40 bolt (4 pcs)
- e – TV Bracket M8 Spacer (4 pcs)
- f – TV Bracket M5/M6 Spacer (4 pcs)
- g – TV Bracket M5/M4 Washer (4 pcs)
- h – TV Bracket M6 Washer (4pcs)
- i – TV Plate mount bolt (4 pcs)
- j – Wall Plate mount front washer (4 pcs)
- k – Wall Plate mount rear washer (4pcs)
- l – Wall Plate mount rear lock washer (4 pcs)
- m – Wall Plate mount rear wing nut (4 pcs)
- n – Allen Wrench

ASSEMBLY INSTRUCTIONS

Chesser TV Mount and Wall Plate

Step 1: Properly separate the hardware between TV Bracket hardware and Wall Plate hardware

Step 2: Hold the Wall Plate up to the Chesser TV Mount to determine the four pre-drilled holes where the Wall Plate will be attached

NOTE: The pre-drilled holes allow for three (3) separate mounting heights in order to center TV on the TV Mount

Step 3: Once the Wall Plate mounting position is determined, push the top two Wall Plate mount bolts through the Wall Plate front washer, the Wall Plate and pre-drilled holes (Figure 1)

Step 4: Reach behind the TV Mount and place the Wall Plate mount rear washer and lock washer over the Wall Plate bolt (may require an additional person to complete)

Step 5: Thread the Wall Plate mount wing nut onto the Wall Plate bolt, but do not completely tighten

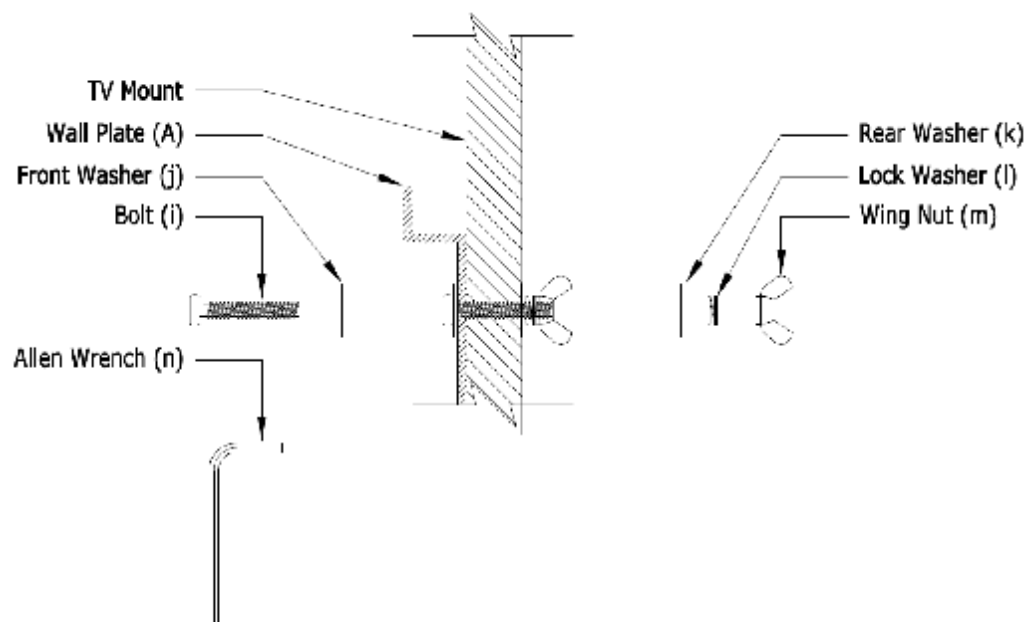


Figure 1

Step 6: Repeat steps 3-5 for the two lower Wall Plate mount bolts

Step 7: For each bolt, hold the Wall Plate bolt head in place with the Allen Wrench and tighten the Wall Plate mount rear wing nut

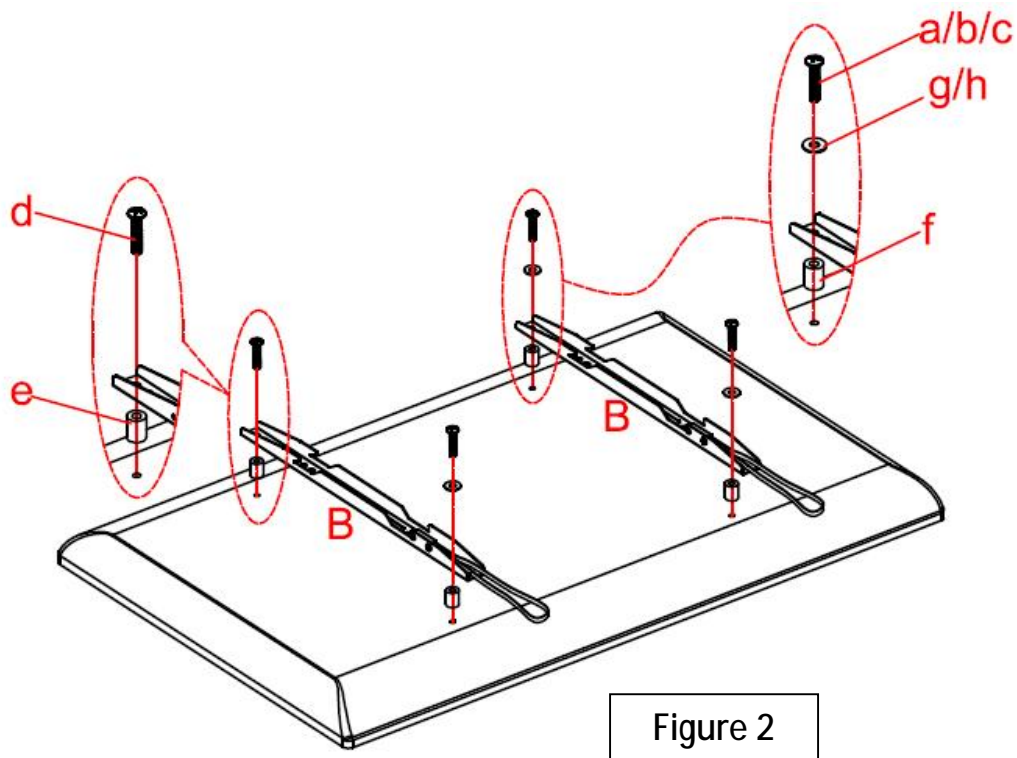
ASSEMBLY INSTRUCTIONS

TV Brackets and Mounting TV

Step 1: Determine the correct size TV Bracket bolts, washers, and spacers to use. This will be dictated by the threaded inserts on the back of the TV, and the need for clearance between the TV and TV Mount.

NOTE: If the back of the TV is not flat, or if there is a need for wire space, using the TV Bracket spacers (e) is recommended

Step 2: Attach the TV Brackets to the TV as shown below (Figure 2), ensuring any spacers used are placed between the TV and TV Bracket



ASSEMBLY INSTRUCTIONS

Step 3: Lift the TV with brackets attached and carefully hook the brackets over the top flange of the Wall Plate as shown (Figure 3).

CAUTION: This step requires 2 or more individuals to complete

Step 4: Carefully swing the TV down so the lower part of the bracket is resting against the Wall Plate

Step 5: Pull the nylon tabs down at the same time to fully engage brackets onto the Wall Plate

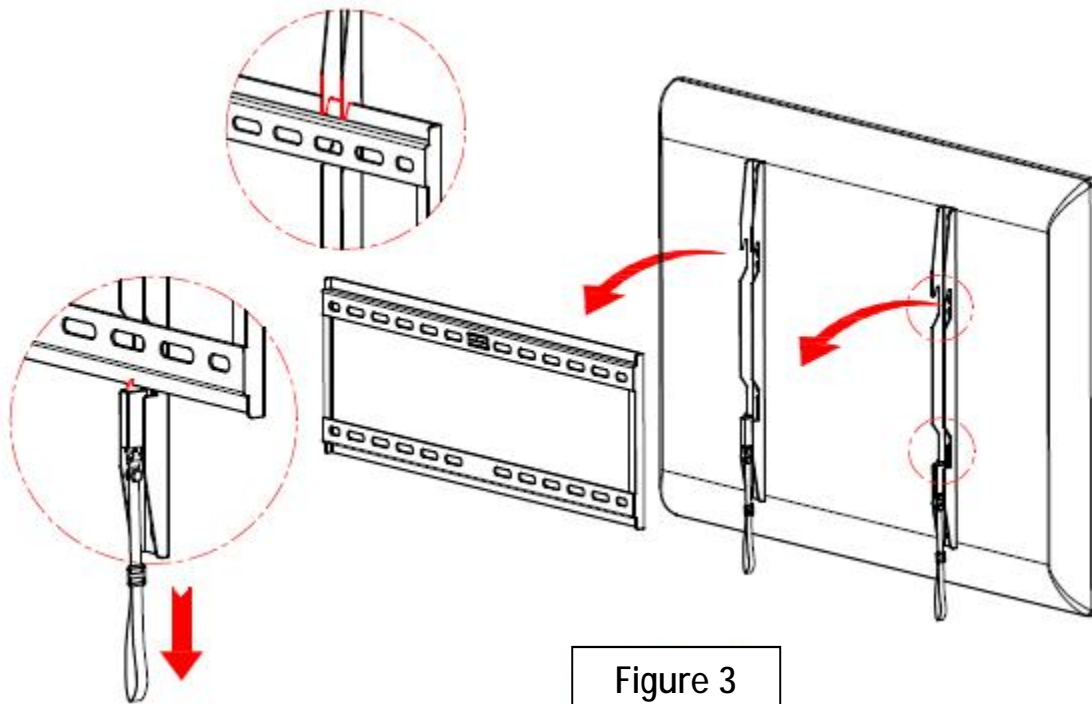


Figure 3